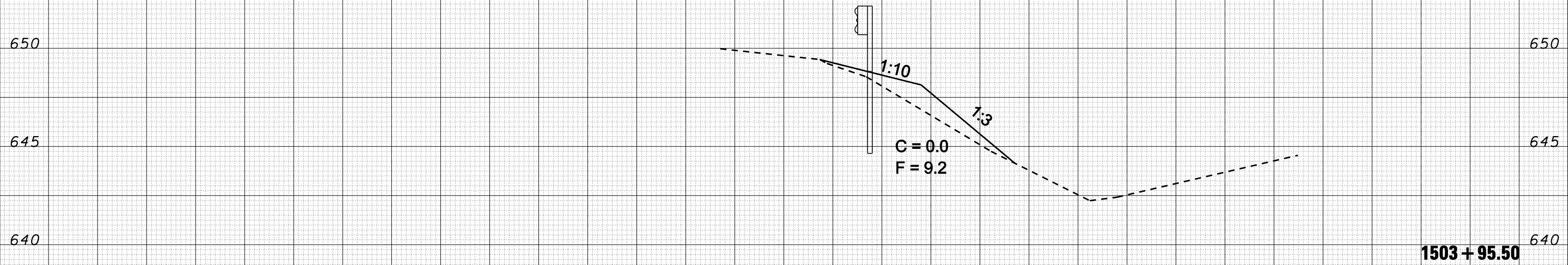


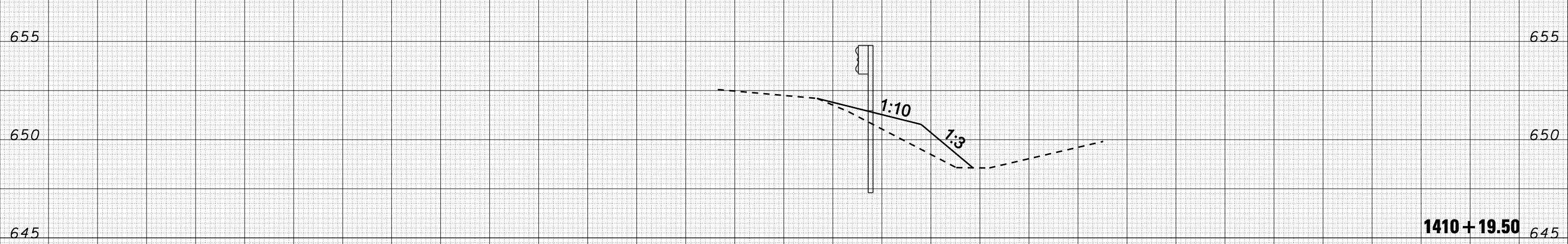
25 20 15 10 5 0 5 10 15 20 25 30 35 40 45 50 55 60 65 70 75 80 85 90 95 100 105 110 115 120 125

DATE	BY	SURVEYED	PLOTTED	TEMPLATE	AREAS	CHECKED
FINL	SURVEY	NOTE	BOOK	NO.		

S.N. 092-0075



S.N. 092-0148



DATE	BY	SURVEYED	PLOTTED	TEMPLATE	AREAS	CHECKED
ORIG	SURVEY	NOTE	BOOK	NO.		

25 20 15 10 5 0 5 10 15 20 25 30 35 40 45 50 55 60 65 70 75 80 85 90 95 100 105 110 115 120 125

FILE NAME = c:\projects\d501407 (vB)\70643_guardrail_xs_righ.dgn

USER NAME = collier-bw
 PLOT SCALE = 10.0000 "/ IN.
 PLOT DATE = 12/20/2007

DESIGNED -
 DRAWN -
 CHECKED -
 DATE -

REVISED -
 REVISED -
 REVISED -
 REVISED -

**STATE OF ILLINOIS
 DEPARTMENT OF TRANSPORTATION**

WIDENING FOR TYPE 1 TERMINALS (EB)

SCALE: SHEET NO. OF SHEETS STA. 1410+19.50 TO STA. 1503+95.50

F.A.P. RTE.	SECTION	COUNTY	TOTAL SHEETS	SHEET NO.
74	FY08HSIP	**	172	113
FED. ROAD DIST. NO. ILLINOIS FED. AID PROJECT			CONTRACT NO. 70643	

** CHAMPAIGN & VERMILION