

25 20 15 10 5 0 5 10 15 20 25 30 35 40 45 50 55 60 65 70 75 80 85 90 95 100 105 110 115 120 125

DATE	
BY	
SURVEYED	
PLOTTED	
TEMPLATE	
AREAS	
CHECKED	
FINAL SURVEY NOTE BOOK NO.	

# S.N. 092-0126

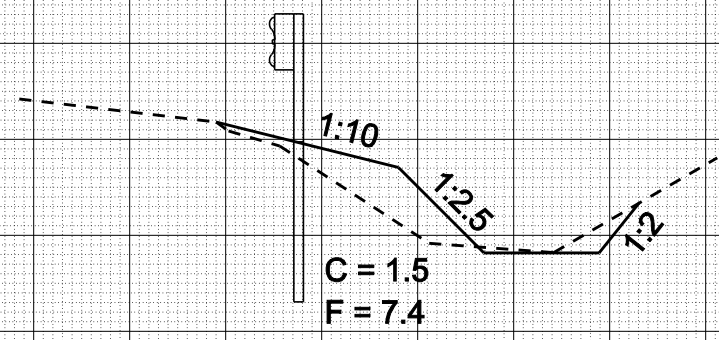
630

625

630

625

1739 + 50.50



# PIPE CULVERT AT 1732 + 55

640

635

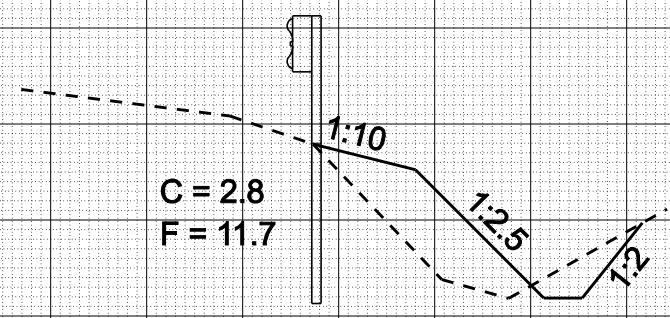
630

640

635

630

1730 + 20.50



DATE	
BY	
SURVEYED	
PLOTTED	
TEMPLATE	
AREAS	
CHECKED	
ORIGINAL SURVEY NOTE BOOK NO.	

25 20 15 10 5 0 5 10 15 20 25 30 35 40 45 50 55 60 65 70 75 80 85 90 95 100 105 110 115 120 125

FILE NAME = c:\projects\d501407 (vB)\70643\_guardrail\_xs\_righ.dgn

USER NAME = collier-bw  
 PLOT SCALE = 10.0000 "/ IN.  
 PLOT DATE = 12/20/2007

DESIGNED -  
 DRAWN -  
 CHECKED -  
 DATE -

REVISED -  
 REVISED -  
 REVISED -  
 REVISED -

STATE OF ILLINOIS  
 DEPARTMENT OF TRANSPORTATION

WIDENING FOR TYPE 1 TERMINALS (EB)

SCALE: SHEET NO. OF SHEETS STA. 1730+20.50 TO STA. 1739+50.50

F.A.P. RTE.	SECTION	COUNTY	TOTAL SHEETS	SHEET NO.
74	FY08HSIP	**	172	117
FED. ROAD DIST. NO. ILLINOIS FED. AID PROJECT			CONTRACT NO. 70643	

\*\* CHAMPAIGN & VERMILION