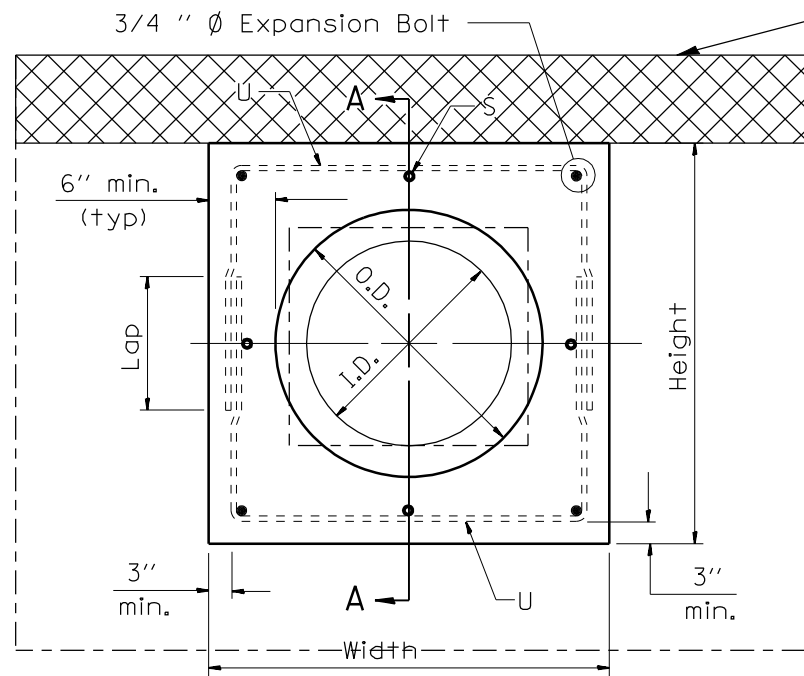


F.A.P. RTE.	SECTION	COUNTY	TOTAL SHEETS	SHEET NO.
753	143RS-6	CHRISTIAN	127	70
STA.		TO STA.		
FED. ROAD DIST. NO.	ILLINOIS	FED. AID PROJECT		

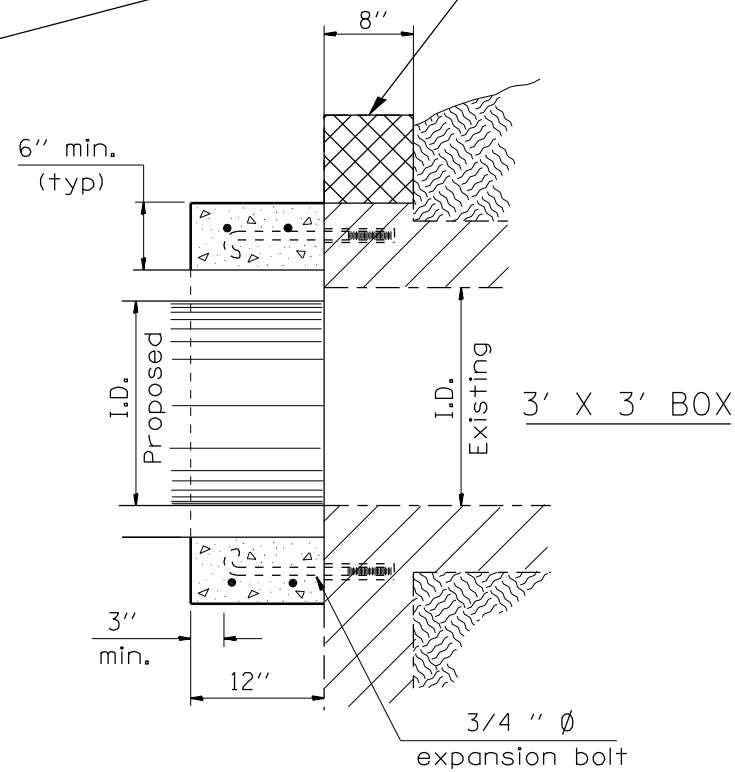
CONCRETE HEADWALL REMOVAL SPECIAL

STA. 103+73.5 LT & RT

PORTION OF HEADWALL TO BE REMOVED.
(SAW CUT INCLUDED IN COST OF PAYITEM)



PIPE CULVERT EXTENSION COLLAR



Section Type A
(Box end extension)

REVISIONS	
NAME	DATE

ILLINOIS DEPARTMENT OF TRANSPORTATION
**CONCRETE COLLAR AND
CULVERT EXTENSION DETAILS**

SCALE: VERT.
HORIZ.
DATE: OCTOBER 6, 1999

DRAWN BY CADD
CHECKED BY RLD

PLOT DATE = Dec-12-2007 10:56:05AM
 FILE NAME = c:\projects\10353981\shd\collar.dgn
 PLOT SCALE = 4:2,3528 / IN.
 USER NAME = laughlin-1