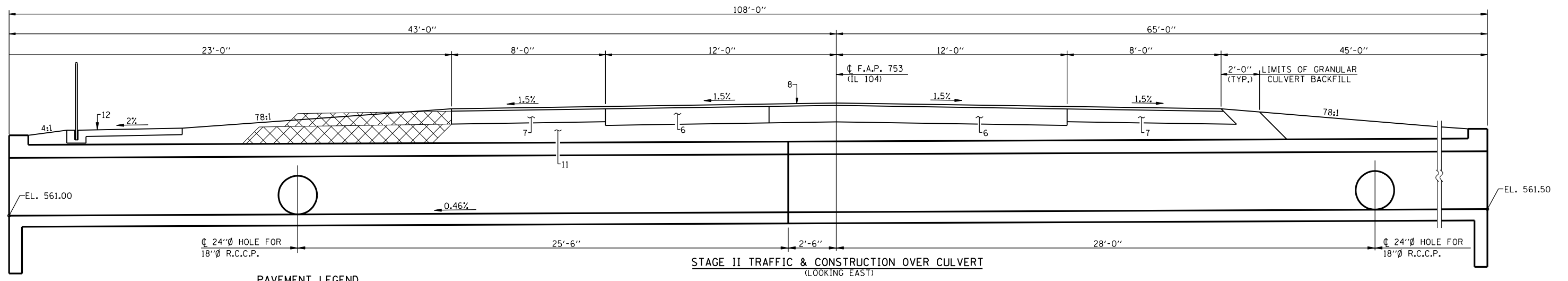
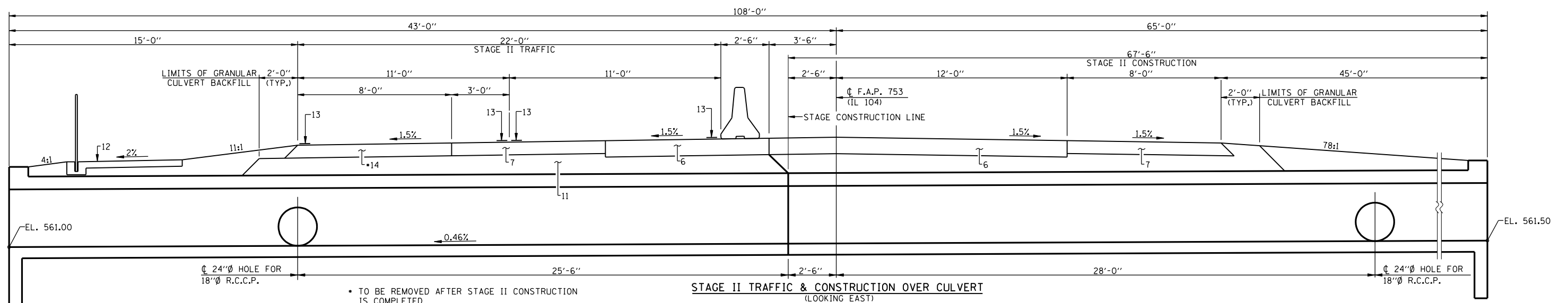
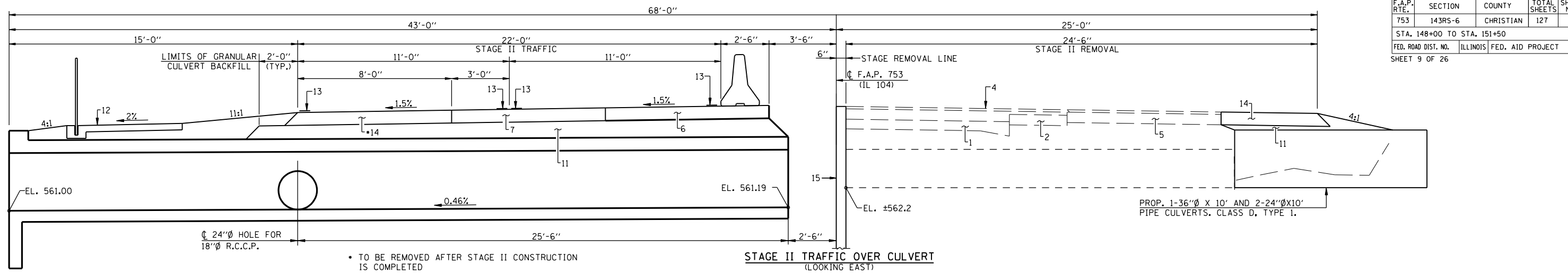


F.A.P. RTE.	SECTION	COUNTY	TOTAL SHEETS	SHEET NO.
753	143RS-6	CHRISTIAN	127	79
STA. 148+00 TO STA. 151+50				
FED. ROAD DIST. NO. ILLINOIS FED. AID PROJECT				
SHEET 9 OF 26				



- PAVEMENT LEGEND**
- 1) EXISTING P.C.C. PAVEMENT (9'-6"-9')
 - 2) EXISTING P.C.C. WIDENING (8')
 - 3) EXISTING BITUMINOUS SURFACE COURSE AND BINDER (±6 1/2')
 - 4) EXISTING BITUMINOUS SURFACE COURSE (1 1/2')
 - 5) EXISTING BITUMINOUS SHOULDER (8')
 - 6) PROPOSED P.C.C. PAVEMENT (8')
 - 7) PROPOSED HOT MIX ASPHALT SHOULDER (8')
 - 8) PROPOSED HOT MIX ASPHALT SURFACE COURSE (1 1/2')
 - 9) PROPOSED PAINT PAVEMENT MARKING - 5' LINE (STRIPE FOR 11'-0" LANE)
 - 10) PROPOSED LEVELING BINDER (MACHINE METHOD), N50 (MIN. 3/4')
 - 11) PROPOSED GRANULAR CULVERT BACKFILL
 - 12) PROPOSED P.C.C. SIDEWALK 4"
 - 13) PROPOSED TEMPORARY PAVEMENT MARKING - LINE 5"
 - 14) PROPOSED HOT-MIX ASPHALT BASE COURSE WIDENING 8"
 - 15) PROPOSED TEMPORARY SHEET PILING
 - 16) PROPOSED HOT-MIX ASPHALT SHOULDERS (2 1/4" MIN)
 - 17) PROPOSED HOT-MIX ASPHALT SURFACE REMOVAL, VARIABLE DEPTH

XXXX - INDICATES HMA SHOULDER AND GRANULAR CULVERT BACKFILL TO BE REMOVED AND REPLACED WITH EARTH DURING WIDENING REMOVAL

**TYPICAL STAGING SECTIONS
IL ROUTE 104 OVER TRIBUTARY
TO SOUTH FORK SANGAMON RIVER
F.A.P. ROUTE 753 - SECTION 143RS-6
CHRISTIAN COUNTY
STA. 150+00
S.N. 011-7056**