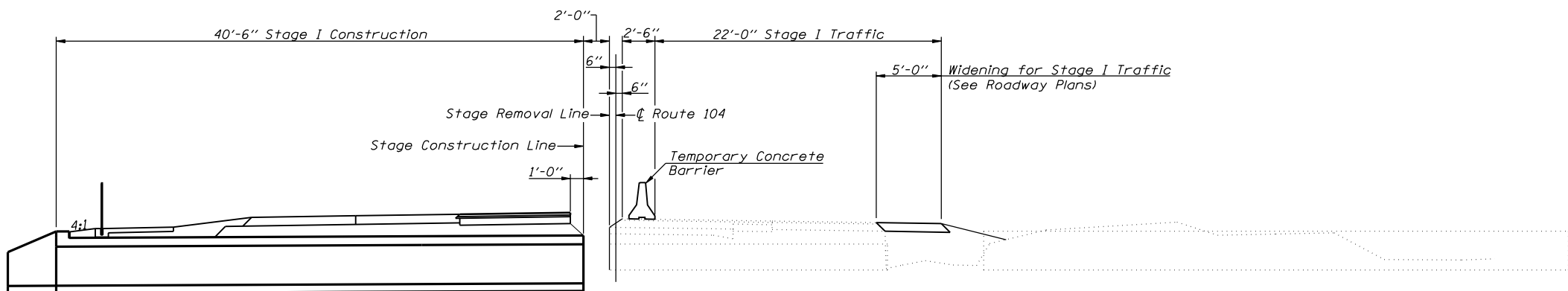
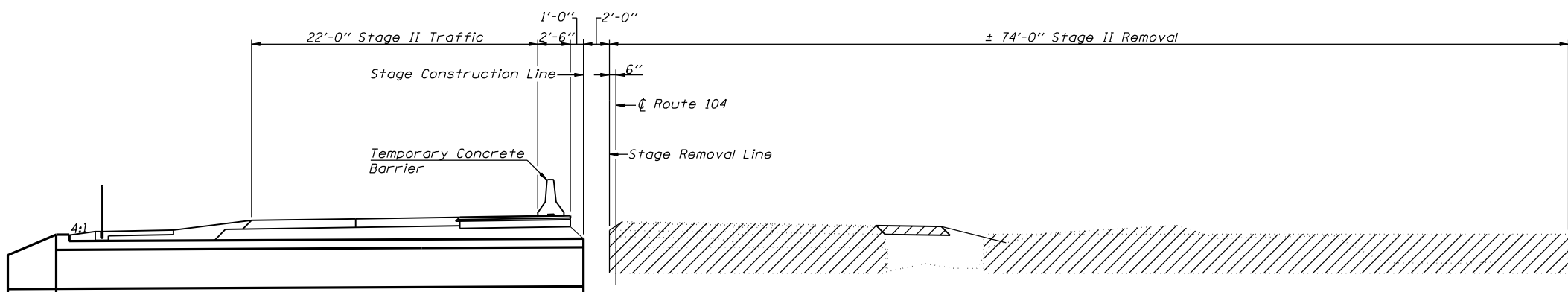


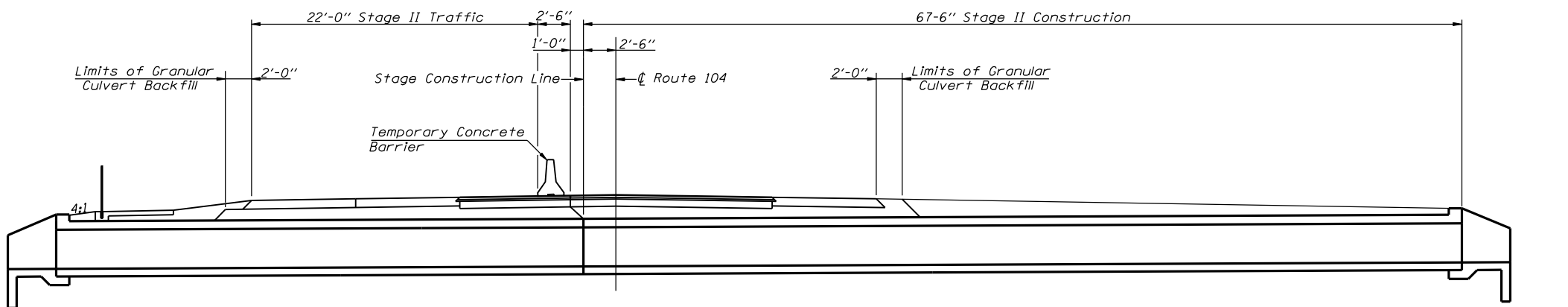
STAGE I REMOVAL



STAGE I CONSTRUCTION



STAGE II REMOVAL



STAGE II CONSTRUCTION

Notes: Hatched areas indicate Removal of Existing Structures.
 All cross sections looking East.
 See Roadway plans for quantity of Temporary Concrete Barrier.
 Work this sheet with sheet 3 of 6.

STAGE CONSTRUCTION TRAFFIC DETAILS
 IL ROUTE 104 OVER UNNAMED TRIBUTARY
 SOUTH FORK SANGAMON RIVER
 F.A.P. ROUTE 753 - SECTION 143RS-6
 CHRISTIAN COUNTY
 STA. 150+00.00
 S.N. 011-7056