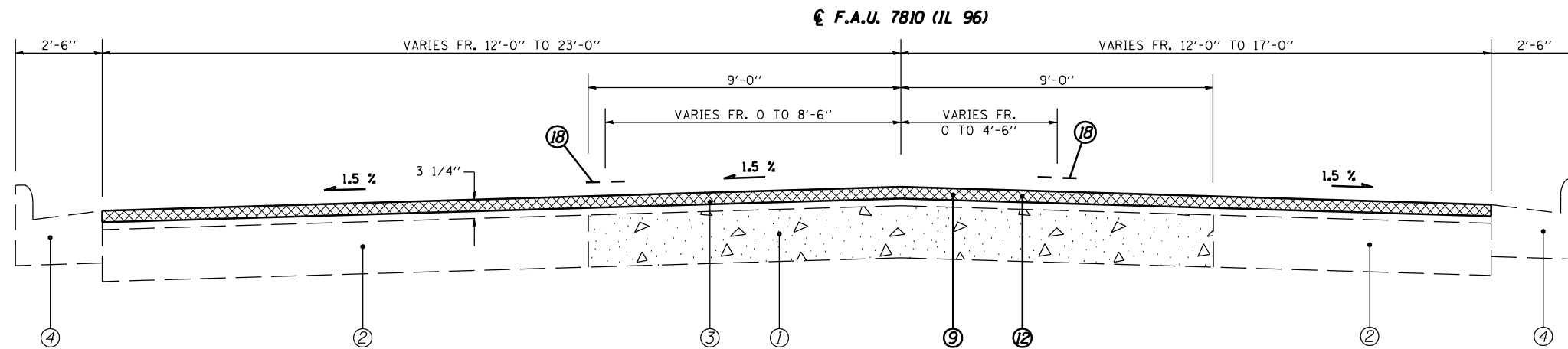
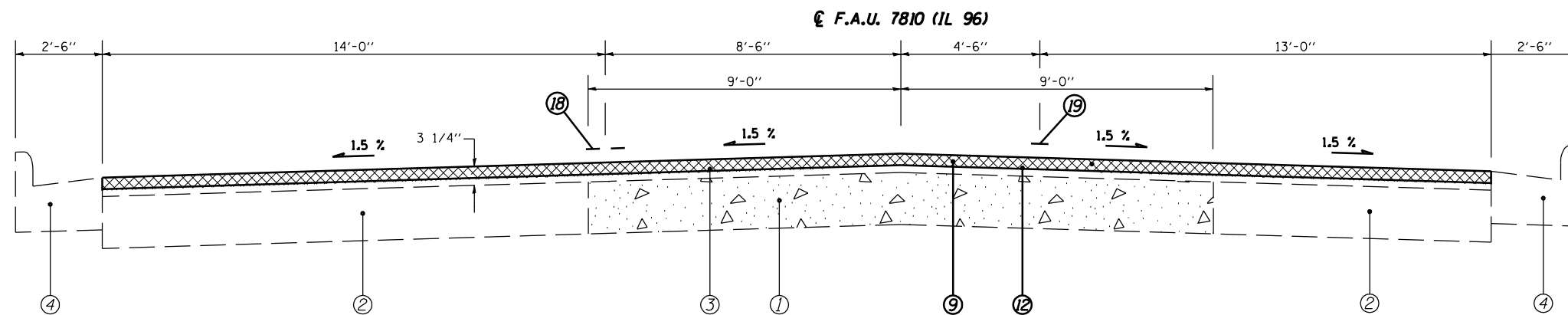


CONTRACT NO. 72943

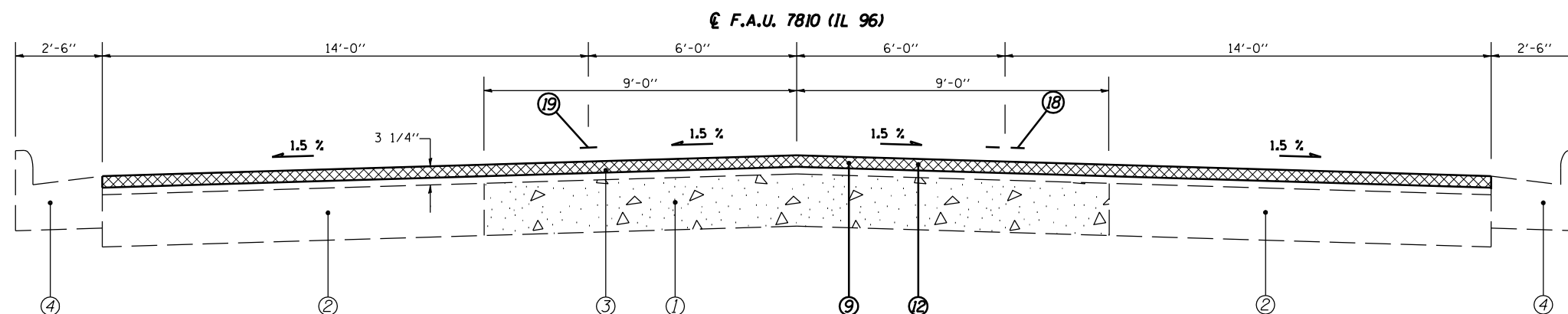
F.A.U. RTE.	SECTION	COUNTY	TOTAL SHEETS	SHEET NO.
*	11 RS-8	ADAMS	64	12
STA. 2354+79.30		TO STA. 2363+08.10		
FED. ROAD DIST. NO.		ILLINOIS FED. AID PROJECT		
* 7810 & 7825 (IL 96)				



(22) STA 2354+79.30 TO STA 2357+68.00 [288.70']



(23) STA 2357+68.00 TO STA 2360+76.77 [308.77']



(24) STA 2360+76.77 TO STA 2363+08.10 [231.33']

LEGEND

- ① EXIST. P.C.C. PAVEMENT 9"
- ② EXIST. BITUMINOUS BASE COURSE WIDENING 9"
- ③ EXIST. BITUMINOUS OVERLAY
- ④ EXIST. COMBINATION CONCRETE CURB & GUTTER, TYPE B-6.24
- ⑤ EXIST. CONCRETE GUTTER, TYPE A (MODIFIED)
- ⑥ EXIST. P.C.C. CURB, TYPE 4
- ⑦ EXIST. BITUMINOUS SHOULDERS, 8"
- ⑧ EXIST. AGGREGATE SHOULDERS, TYPE B
- ⑨ PROP. HOT-MIX ASPHALT SURFACE REMOVAL, 2"
- ⑩ PROP. EARTH EXCAVATION (WIDENING)
- ⑪ PROP. PORTLAND CEMENT CONCRETE BASE COURSE WIDENING 12"
- ⑫ PROP. HOT-MIX ASPHALT CONCRETE SURFACE COURSE, MIX "D", N70 2"
- ⑬ PROP. HOT-MIX ASPHALT SHOULDERS, 8"
- ⑭ PROP. HOT-MIX ASPHALT SHOULDERS, 2"
- ⑮ PROP. AGGREGATE SHOULDERS, TYPE B
- ⑯ PROP. COMBINATION CONCRETE CURB & GUTTER, TYPE B-6.24 (SPECIAL)
- ⑰ PROP. COMBINATION CONCRETE CURB & GUTTER, TYPE B-6.24
- ⑱ PROP. THERMOPLASTIC PAVEMENT MARKING - LINE 5"
- ⑲ PROP. PREFORMED PLASTIC PAVEMENT MARKING, TYPE B - LINE 6"
- ⑳ PROP. GRADING AND SHAPING SHOULDERS

(NOT TO SCALE)

REVISIONS		ILLINOIS DEPARTMENT OF TRANSPORTATION
NAME	DATE	
		TYPICAL SECTIONS F.A.U. Route 7810 & 7825 (IL 96) Section 11RS-8 ADAMS COUNTY SCALE: VERT. DRAWN BY: JWC HORIZ. CHECKED BY: RSC DATE: FEBRUARY 6, 2007

PLOT DATE = No-02-2007 01:44:30PM
FILE NAME = c:\projects\6550605\shittypicals.dgn
PLOT SCALE = 1/8"=1'-0" / IN.
USER NAME = laughlin-1