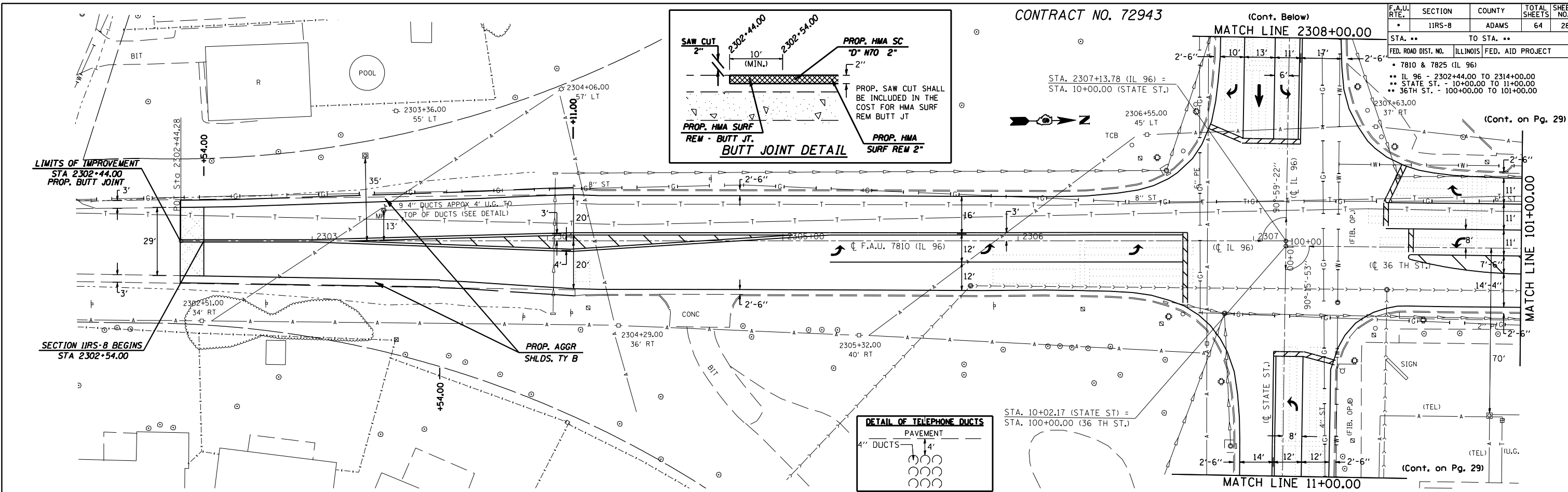
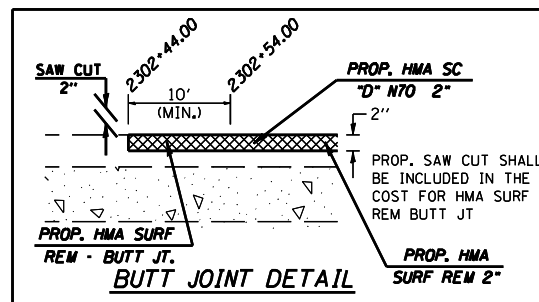


CONTRACT NO. 72943

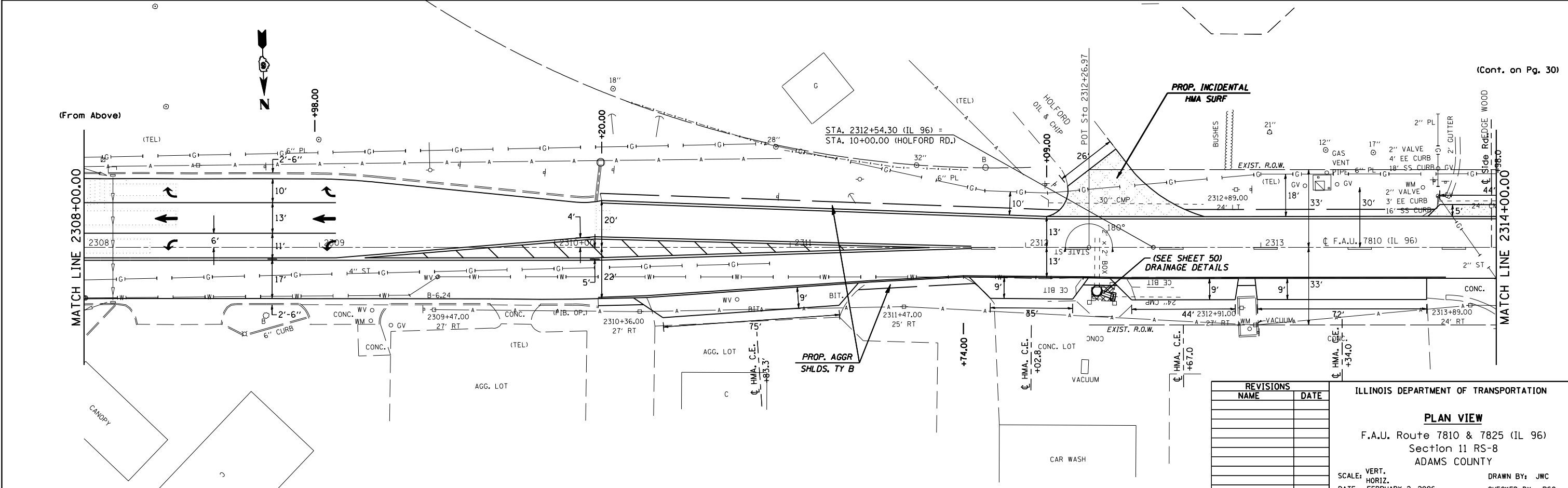
(Cont. Below)

F.A.U. RTE.	SECTION	COUNTY	TOTAL SHEETS	SHEET NO.
11RS-8		ADAMS	64	28

STA. ..	TO STA. ..
FED. ROAD DIST. NO.	ILLINOIS FED. AID PROJECT
<ul style="list-style-type: none"> • 7810 & 7825 (IL 96) • IL 96 - 2302+44.00 TO 2314+00.00 • STATE ST. - 10+00.00 TO 11+00.00 • 36TH ST. - 100+00.00 TO 101+00.00 	



(Cont. on Pg. 30)



REVISIONS	
NAME	DATE

ILLINOIS DEPARTMENT OF TRANSPORTATION

PLAN VIEW

F.A.U. Route 7810 & 7825 (IL 96)
Section 11 RS-8
ADAMS COUNTY

SCALE: VERT. 1"=10'
HORIZ. 1"=40'

DATE: FEBRUARY 2, 2006

DRAWN BY: JWC
CHECKED BY: RSC

PLOT DATE = Nov-02-2007 01:14:34PM
FILE NAME = c:\p\projects\650605\shplan1196.dgn
PLOT SCALE = 42.3525 / IN.
USER NAME = taugh11r-1