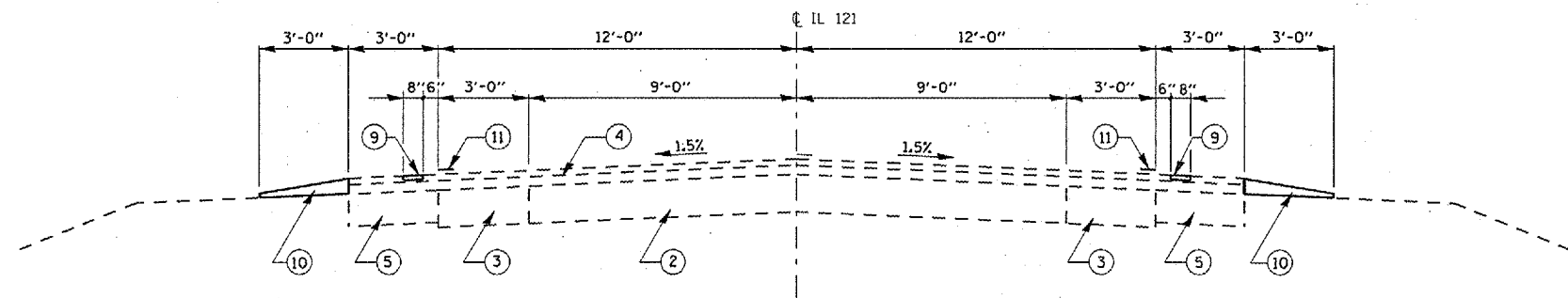


CONTRACT NO. T2B33				
F.A.P. RTE.	SECTION	COUNTY	TOTAL SHEETS	SHEET NO.
320		LOGAN	12	7
STA.		TO STA.		
FED. ROAD DIST. NO.	ILLINOIS	FED. AID PROJECT		

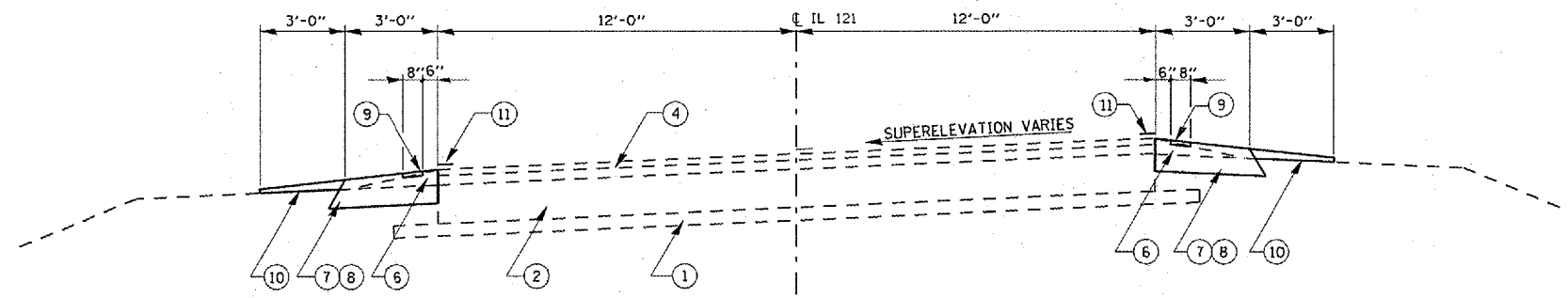
D-6 SHLDR RUMBLE STRIPS 2008-4



TYPICAL SECTION #5
STA. 439+20.0 TO STA 443+90.0

LEGEND

- ① EXIST. SUB-BASE GRANULAR MATERIAL
- ② EXIST. PCC BASE COURSE (9")
- ③ EXIST. PCC BASE COURSE WIDENING (9")
- ④ EXIST. BITUMINOUS CONCRETE SURFACE
- ⑤ EXIST. BITUMINOUS SHOULDER
- ⑥ EXIST. AGG SHOULDER (TYPE B)
- ⑦ PROP. EXCAVATING AND GRADING EXISTING SHOULDERS
- ⑧ PROP. HOT-MIX ASPHALT SHOULDERS, 8"
- ⑨ PROP. RUMBLE STRIPS
- ⑩ PROP. AGGREGATE SHOULDER (TYPE B)
- ⑪ PROP. PAVEMENT MARKING LINE 5"



TYPICAL SECTION #4

STA. 336+80.1 TO STA 346+38.2 - CURVE 503 - S.E. = 5.6%
 STA. 378+92.2 TO STA 407+15.9 - CURVE 504 - S.E. = 7.0%
 STA. 417+43.9 TO STA. 429+69.8 - CURVE 505 - S.E. = 5.6%

NOTE:
EXISTING SLOPES AND SUPERELEVATION
DATA TAKEN FROM EXISTING PLANS.

REVISIONS		ILLINOIS DEPARTMENT OF TRANSPORTATION
NAME	DATE	
		TYPICAL SECTIONS FAP 320 (IL 121) SECT. D-6 SHLDR RUMBLE STRIPS 2008-4 LOGAN COUNTY SCALE: VERT. _____ HORIZ. _____ DATE _____
		DRAWN BY _____
		CHECKED BY _____

PLOT DATE : No-15-2007 02:24:44M
 PLOT NAME : 180824.dwg
 PLOT SCALE : 1/8"=1'-0"
 USER NAME : laughton