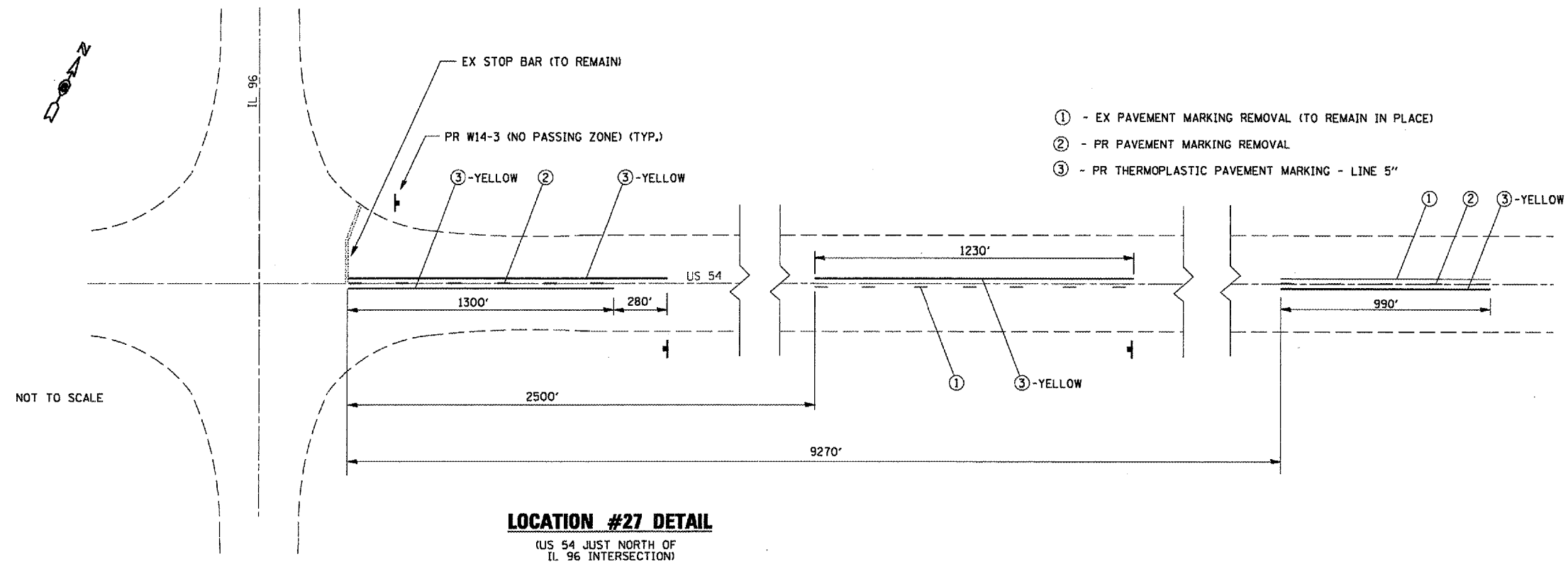
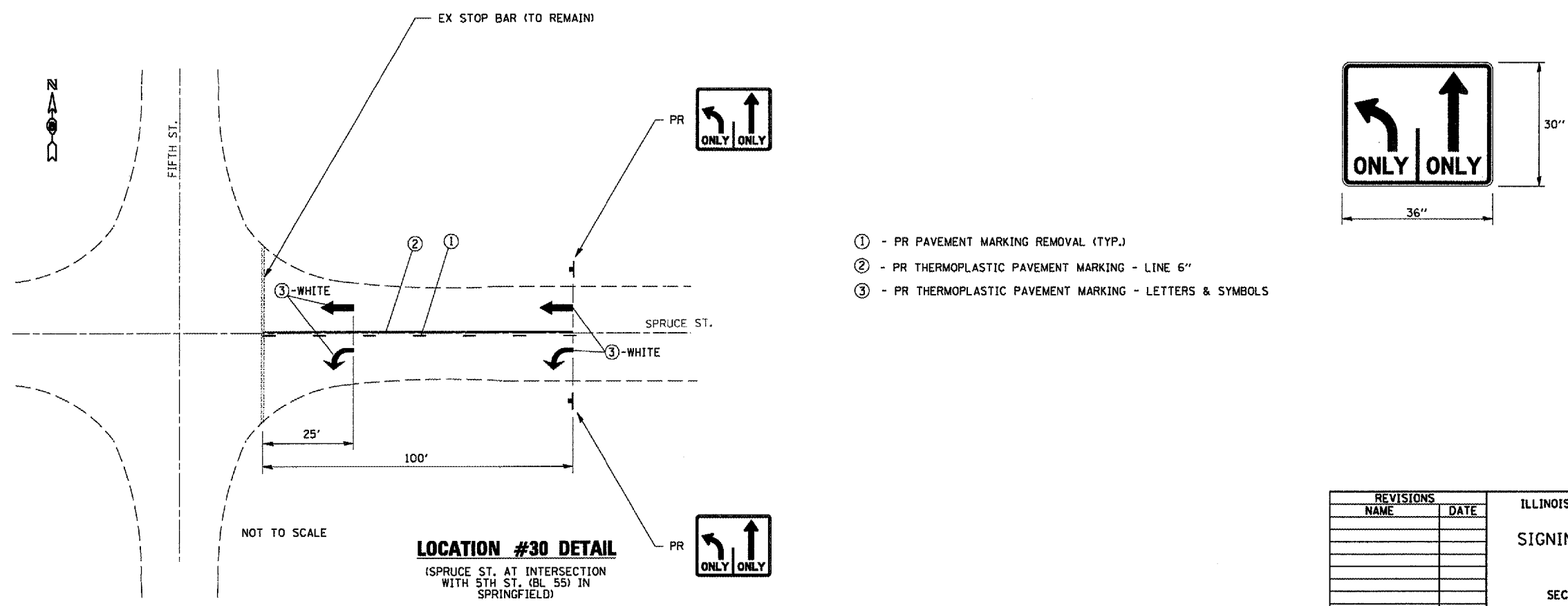


F.A. RTE.	SECTION	COUNTY	TOTAL SHEETS	SHEET NO.
*	**	***	20	12
STA. _____		TO STA. _____		
FED. ROAD DIST. NO. _____		ILLINOIS FED. AID PROJECT		

- * - VARIOUS
- ** - D-6 SIGNING & STRIPING 2008
- *** - ADAMS, BROWN, CASS, CHRISTIAN, HANCOCK, LOGAN, MACOUPIN, MASON, MONTGOMERY, MORGAN, PIKE, SANGAMON, SCHUYLER & SCOTT.



LOCATION #27 DETAIL
(US 54 JUST NORTH OF IL 96 INTERSECTION)



LOCATION #30 DETAIL
(SPRUCE ST. AT INTERSECTION WITH 5TH ST. (BL 55) IN SPRINGFIELD)

REVISIONS	
NAME	DATE

ILLINOIS DEPARTMENT OF TRANSPORTATION
SIGNING & STRIPING DETAILS

VARIOUS ROUTES
SECTION D-6 SIGNING & STRIPING
VARIOUS COUNTIES

PLOT DATE = Aug-22-2007 09:45:29M
 FILE NAME = c:\pwworkspace\121877\shidonten12.dgn
 PLOT SCALE = 1000.0000 / IN.
 USER NAME = galovashj