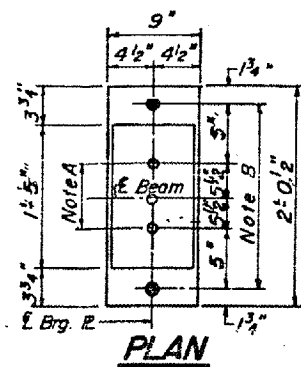
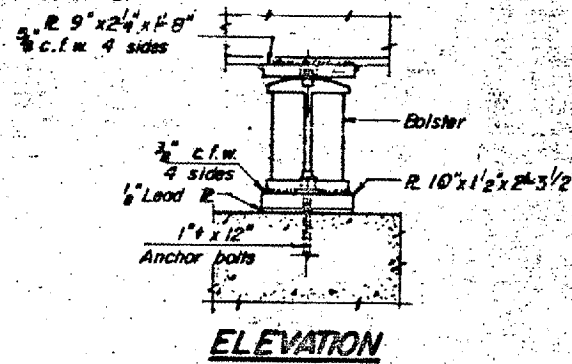


SECTION

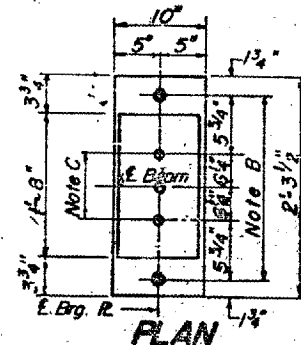


**PLAN
AT ABUTMENT**

NOTE A
1 3/8" Holes—1" deep in top R.
for pintles. Thread or press fit
pintles into bottom R.

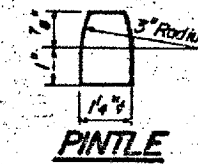


ELEVATION

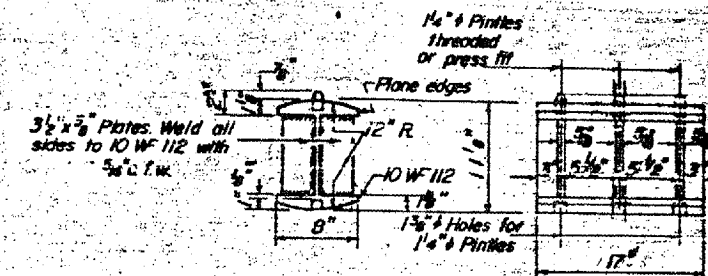


**PLAN
AT PIER**

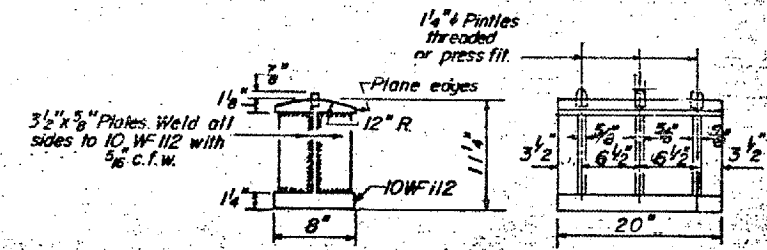
NOTE B
1 1/2" Holes for 1" anchor bolts
2 1/2" x 2 1/2" x 3/16" R. Washers
under nut.



PINTLE



ROCKER



BOLSTER

NOTE C
1 3/8" Holes—1" deep in top R.
only for 1 1/4" pintles.

C-96-031-08
SN 068-0042
EXISTING BRIDGE PLANS
FOR INFORMATION ONLY
(NOT TO SCALE)