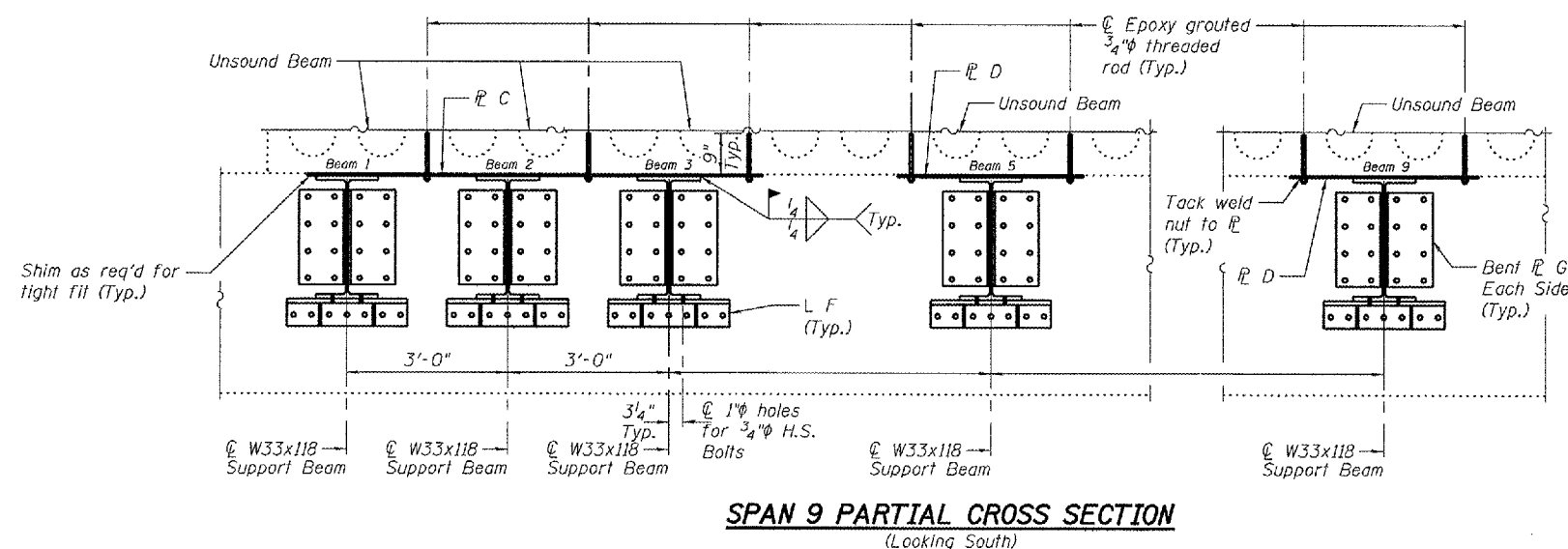
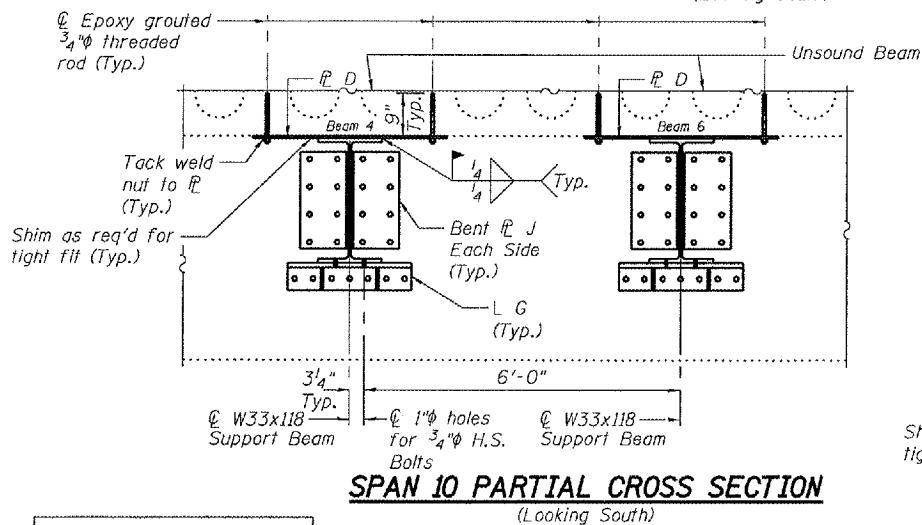
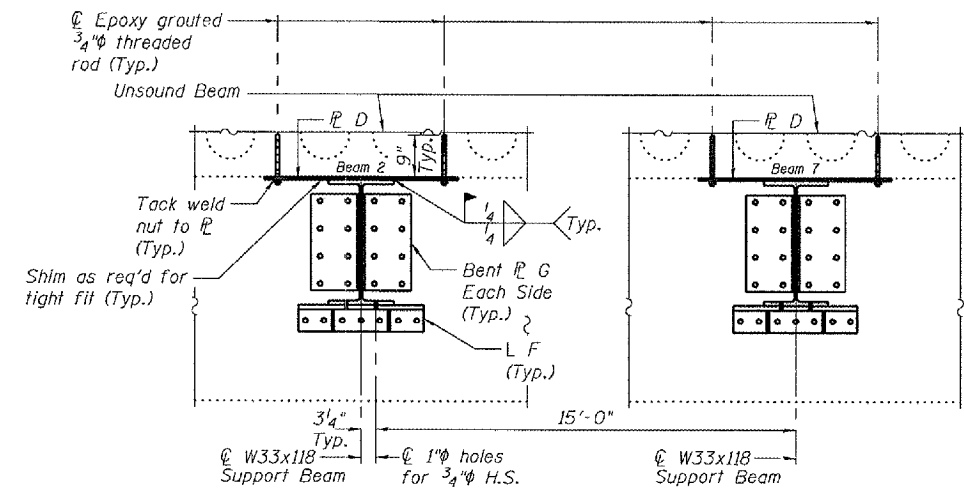
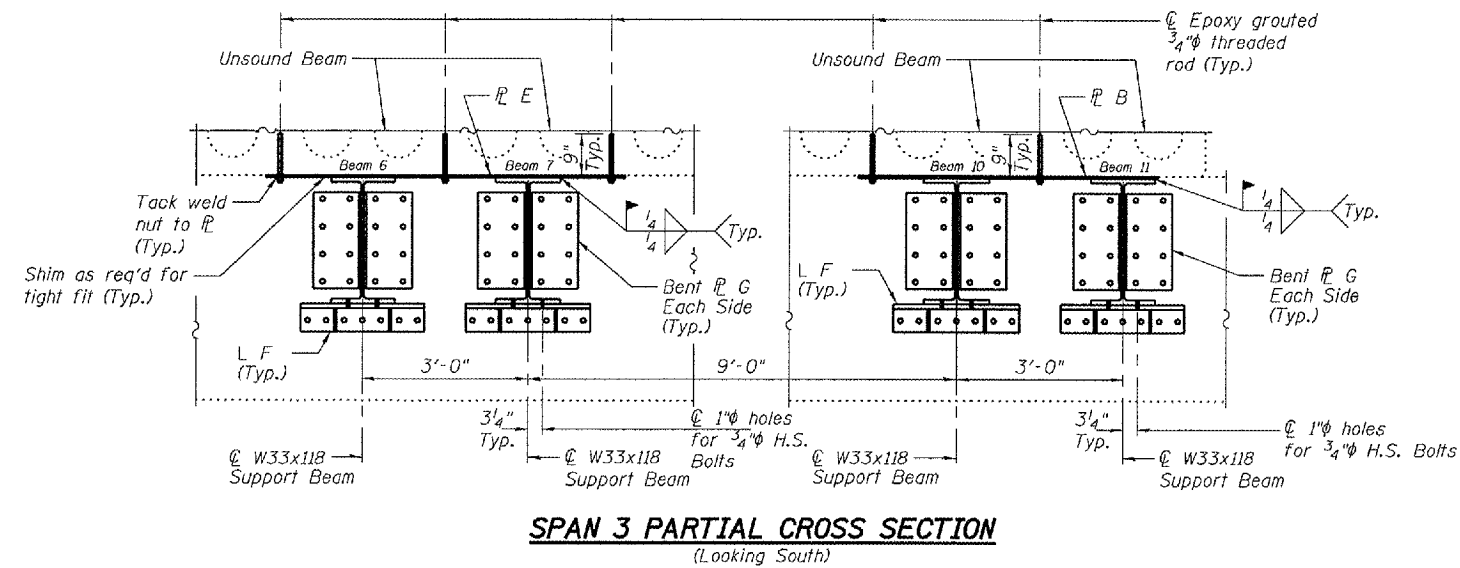
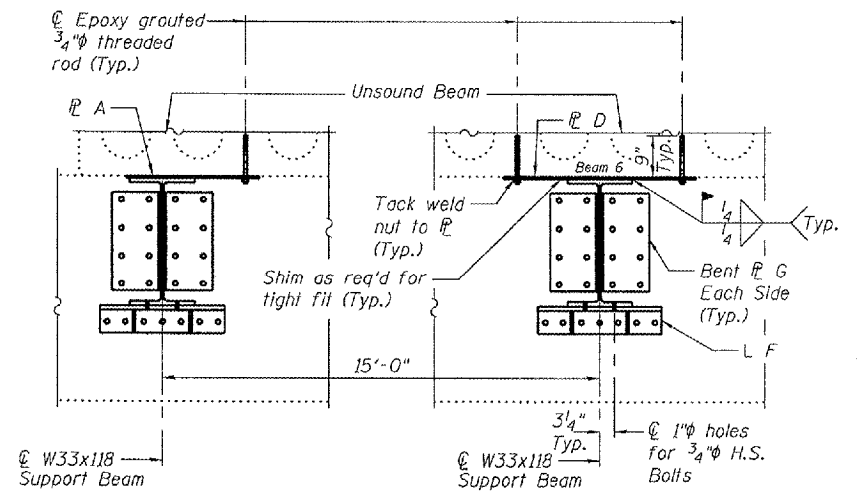
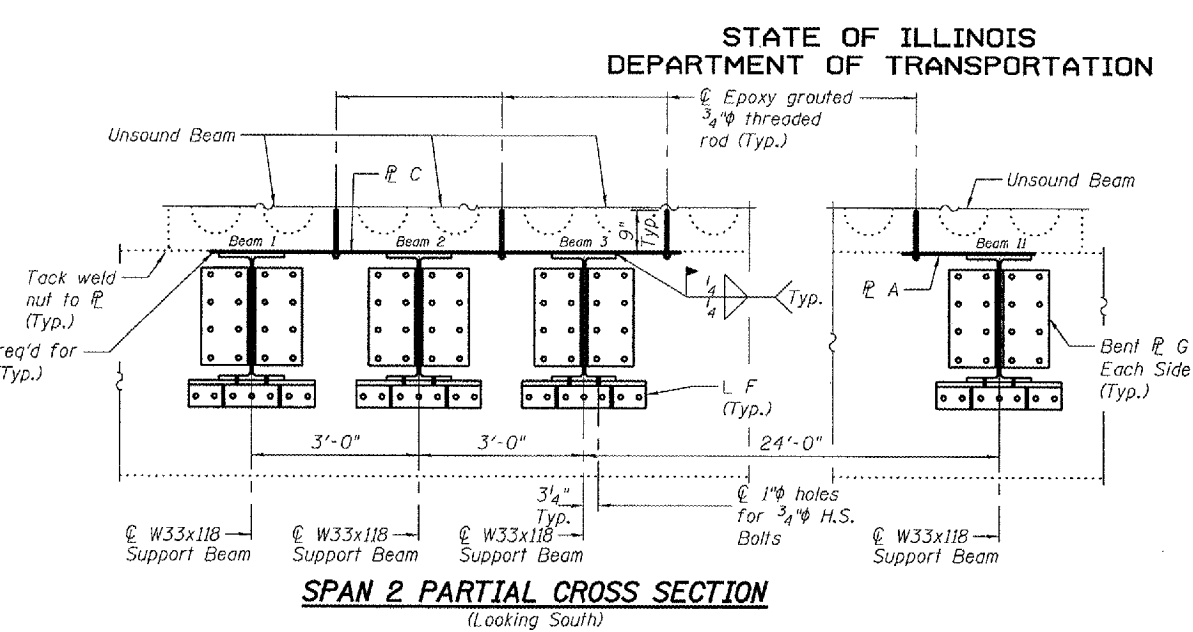
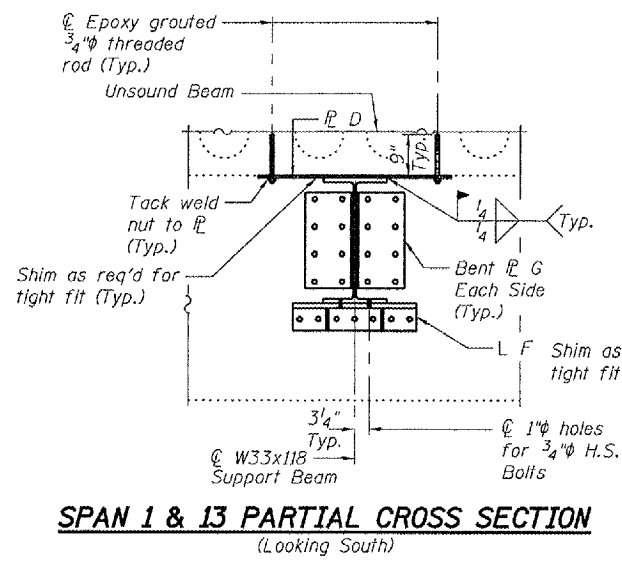


STATE OF ILLINOIS
DEPARTMENT OF TRANSPORTATION

| ROUTE NO. | SECTION | COUNTY | TOTAL SHEETS | SHEET NO. |
|-----------------------|----------|------------------|--------------|-----------|
| FAP 614 | | Cass | 5 | 5 |
| FED. ROAD DIST. NO. 7 | ILLINOIS | FED. AID PROJECT | | |

SHEET NO. 2
2 SHEETS

Contract Number: 72B78



| | |
|----------|------------------|
| DESIGNED | A.T.H. |
| CHECKED | A.J.B. |
| DRAWN | Drew Christopher |
| CHECKED | A.T.H. A.J.B. |

January 9, 2008
EXAMINED *Carl Perry*
REPAIR PLANS UNIT CHIEF
PASSED *Ralph E. Anderson*
ENGINEER OF BRIDGES AND STRUCTURES

DECK CROSS SECTIONS
F.A.P. RT.614
CASS COUNTY
SN 009-0005