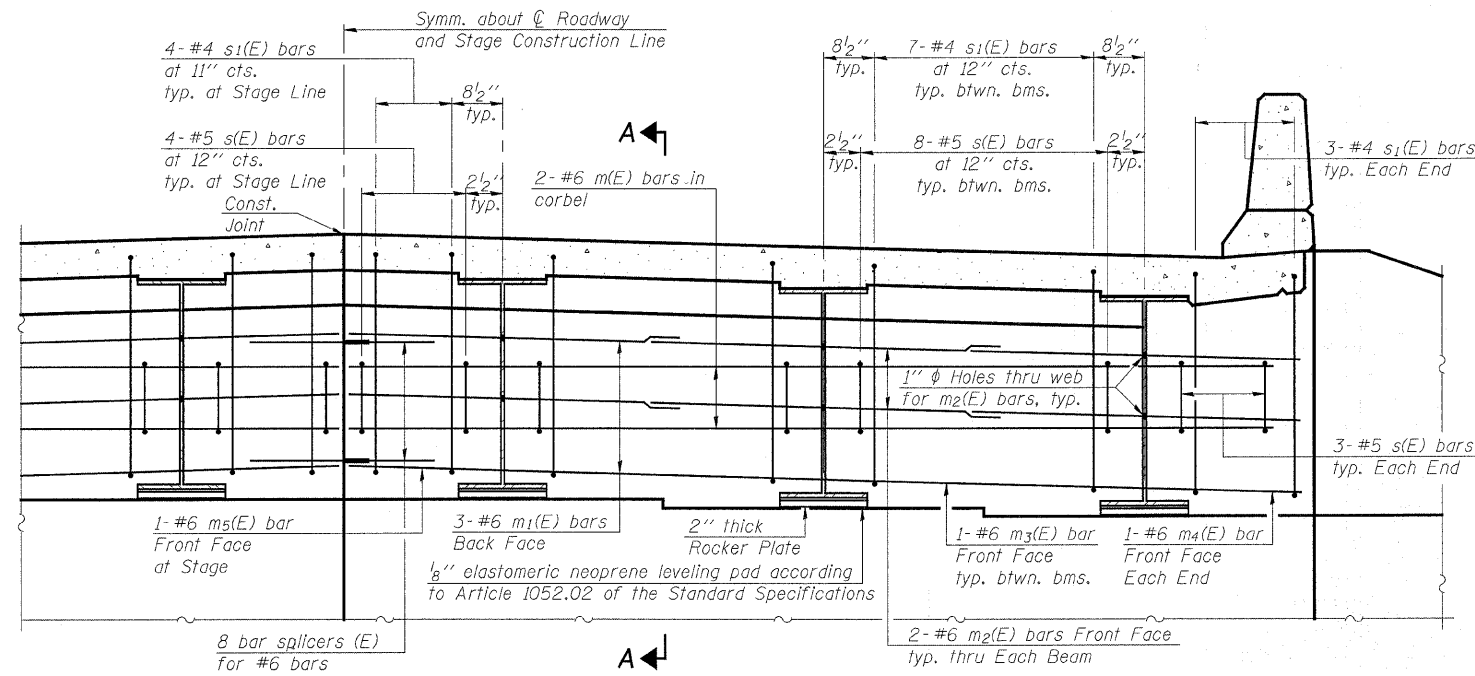


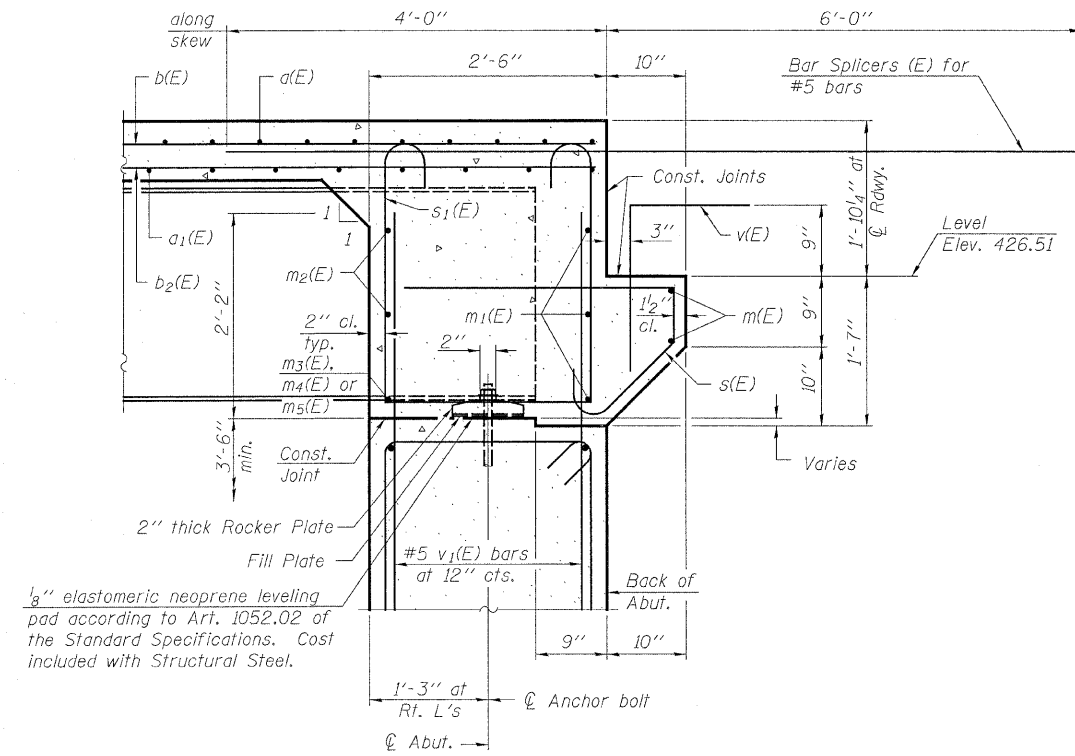
STATE OF ILLINOIS  
DEPARTMENT OF TRANSPORTATION

ROUTE NO.	SECTION	COUNTY	TOTAL SHEETS	SHEET NO.	SHEET NO. 13
F.A.P. 328	(8BR-2) B-1	WAYNE	140	35	25 SHEETS
FED. ROAD DIST. NO. 7	ILLINOIS	FED. AID PROJECT-			

Contract #74040



**DIAPHRAGM ELEVATION AT ABUTMENT**



**SECTION A-A**  
Dimensions at right angles to abutment, except as shown.

Notes:  
Reinforcement bars in diaphragm are billed with superstructure on sheet 12 of 25.  
Concrete in diaphragm is included with Concrete Superstructure on sheet 12 of 25.  
For details of bars s(E) & s1(E) see sheet 12 of 25.  
The s(E) and s1(E) bars shall be placed parallel to the beams. Spacing for these bars shall be at right angles to the beams.

**MIN. BAR LAP**  
#6 bar = 2'-9"

DESIGNED	JJD
CHECKED	EML
DRAWN	KLH
CHECKED	EML

**HORNER &  
SHIFRIN, INC.**  
ENGINEERS

**DIAPHRAGM DETAILS**  
F.A.P. ROUTE 328 - SECTION (8BR-2)B-1  
WAYNE COUNTY  
STATION 888+60.00  
STRUCTURE NO. 096-0067