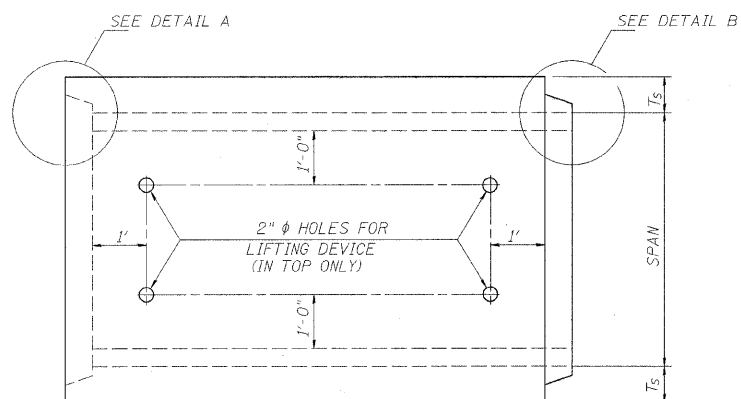
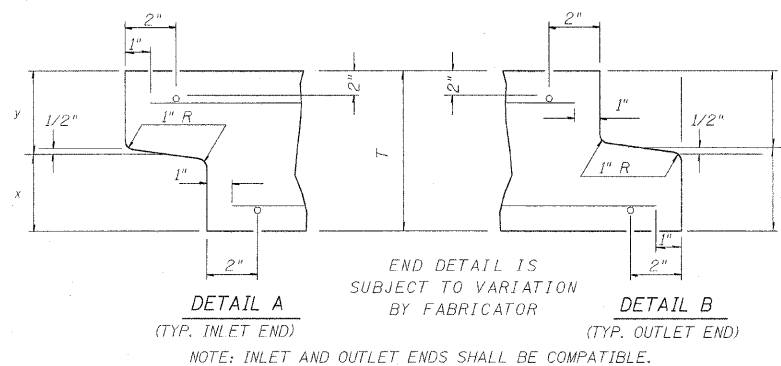


F.A.P. RTE. NO.	SECTION	COUNTY	TOTAL SHEETS	SHEET NO.
328	*	WAYNE	140	68
STA.		TO STA.		
FED. ROAD DIST. NO.		ILLINOIS FED. AID PROJECT		
* (BBR-2,10BR-3)B-1				

DETAIL OF PRECAST CONCRETE BOX CULVERT M273M

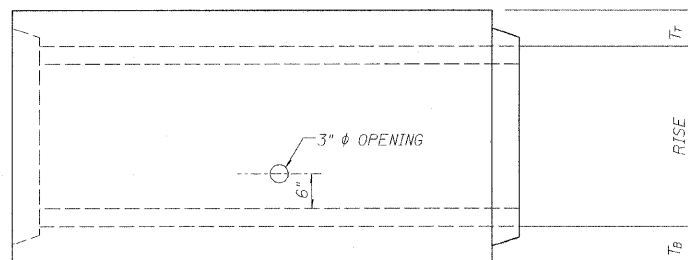
(WITH LESS THAN 2' OF COVER)
 AASHTO DESIGNATION M273M
 (ASTM DESIGNATION C-850M)
 DESIGN LOADING = MS18



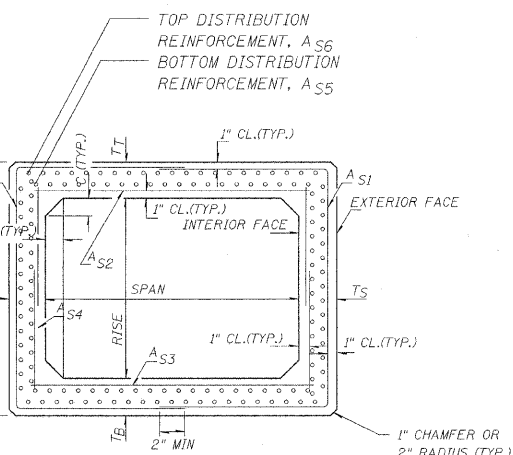
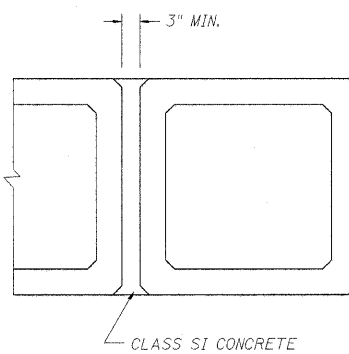
PLAN
 LOCATION OF LIFTING HOLES MAY BE VARIED AS NEEDED TO CLEAR REINFORCEMENT.

SECTION LENGTH

WHEN EXTENDING AN EXISTING BOX, PLACE THIS END AGAINST THE EXISTING HEADWALL.



ELEVATION



CROSS SECTION

CULVERT SIZE (FEET)		DIMENSIONS (INCHES)		
SPAN	RISE	T_T	T_B	T_S
3	2	7	6	4
3	3	7	6	4
4	2	7 1/2	6	5
4	3	7 1/2	6	5
4	4	7 1/2	6	5
5	3	8	7	6
5	4	8	7	6
5	5	8	7	6
6	3	8	7	7
6	4	8	7	7
6	5	8	7	7
6	6	8	7	7
7	4	8	8	8
7	5	8	8	8
7	6	8	8	8
7	7	8	8	8
8	4	8	8	8
8	5	8	8	8
8	6	8	8	8
8	7	8	8	8
8	8	8	8	8
9	5	9	9	9
9	6	9	9	9
9	7	9	9	9
9	8	9	9	9
9	9	9	9	9
10	5	10	10	10
10	6	10	10	10
10	7	10	10	10
10	8	10	10	10
10	9	10	10	10
10	10	10	10	10
11	4	11	11	11
11	6	11	11	11
11	8	11	11	11
11	10	11	11	11
11	11	11	11	11
12	4	12	12	12
12	6	12	12	12
12	8	12	12	12
12	10	12	12	12
12	12	12	12	12

GENERAL NOTES

SHOP PLANS FOR THE REINFORCEMENT SHALL BE SUBMITTED IN ACCORDANCE WITH THE REQUIREMENTS OF ARTICLE 504.04(g) OF THE STANDARD SPECIFICATIONS.

MINIMUM CONCRETE STRENGTH SHALL BE 5000 PSI AFTER 28 DAYS.

THE JOINTS OF THE PRECAST BOX SECTIONS SHALL BE SEALED IN ACCORDANCE WITH ARTICLE 542.04(d) OF THE STANDARD SPECIFICATIONS FOR ROAD AND BRIDGE CONSTRUCTION.

THE TERMS A_{S1} , A_{S2} , ETC. DENOTE THE REQUIRED STEEL AREAS FOR REINFORCEMENT AS SPECIFIED IN AASHTO M273M.

REINFORCEMENT SHALL BE WELDED WIRE FABRIC CONFORMING TO AASHTO M55M. LONGITUDINAL DISTRIBUTION REINFORCEMENT MAY CONSIST OF WELDED WIRE FABRIC OR DEFORMED BARS CONFORMING TO AASHTO M31M, M42M, OR M53M, GRADE 400.

LIFTING HOLES SHALL BE FILLED WITH CONCRETE PLUGS AND MASTIC AFTER THE BOX SECTIONS ARE IN PLACE.

DRAINAGE OPENINGS SHALL BE PROVIDED IN ACCORDANCE WITH ARTICLE 503.12 OF THE STANDARD SPECIFICATIONS. LOCATION AND SPACING OF THE OPENINGS SHALL BE SHOWN ON THE SHOP DRAWINGS.

THE P.C.C. PAVEMENT PATCH REINFORCED WITH PAVEMENT FABRIC (STANDARD 42070) WILL BE CONSTRUCTED OVER THE CULVERT. THE PATCH SHALL BE FULL PAVEMENT WIDTH, AND THE LENGTH SHALL EXTEND 2" BEYOND EACH SIDE OF THE CULVERT.

REVISIONS	
NAME	DATE

ILLINOIS DEPARTMENT OF TRANSPORTATION

DETAIL SHEET

PRECAST CONCRETE BOX CULVERT SECTION

SCALE: VERT. N/A
 HORIZ. N/A
 DATE 06/12/07

DRAWN BY KLH
 CHECKED BY EML