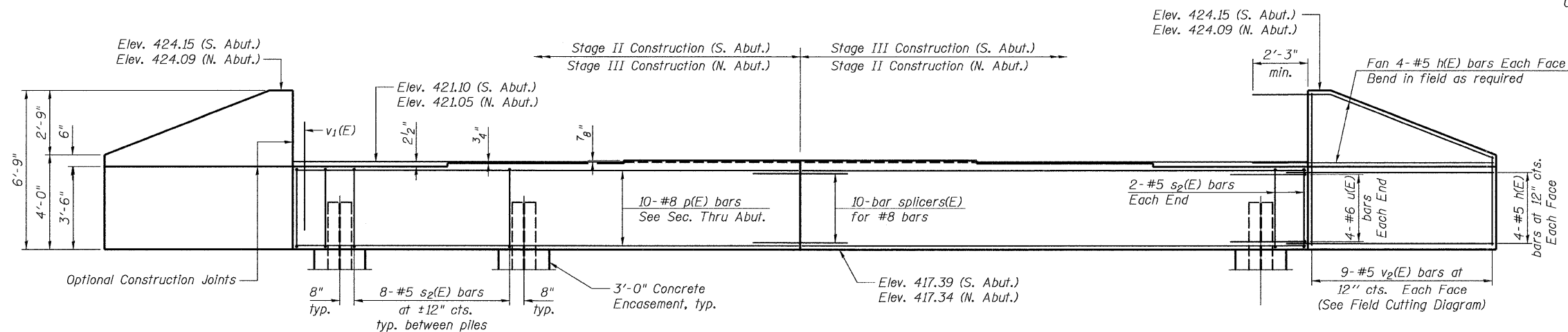


STATE OF ILLINOIS
DEPARTMENT OF TRANSPORTATION

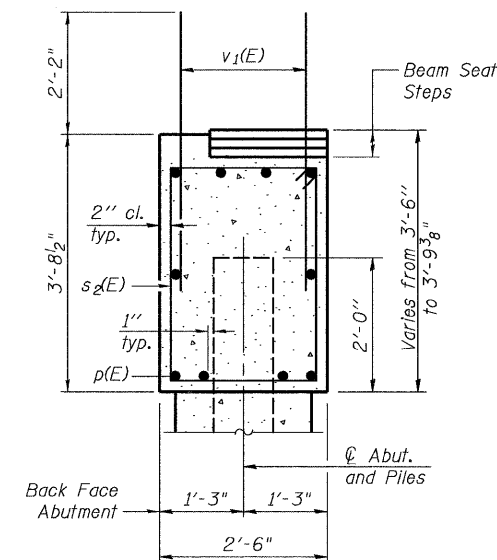
ROUTE NO.	SECTION	COUNTY	TOTAL SHEETS	SHEET NO.
FAP 328	(10BR-2)B-1	WAYNE	115	21 SHEETS
FED. ROAD DIST. NO. 7		ILLINOIS	FED. AID PROJECT-	

Contract # 74040

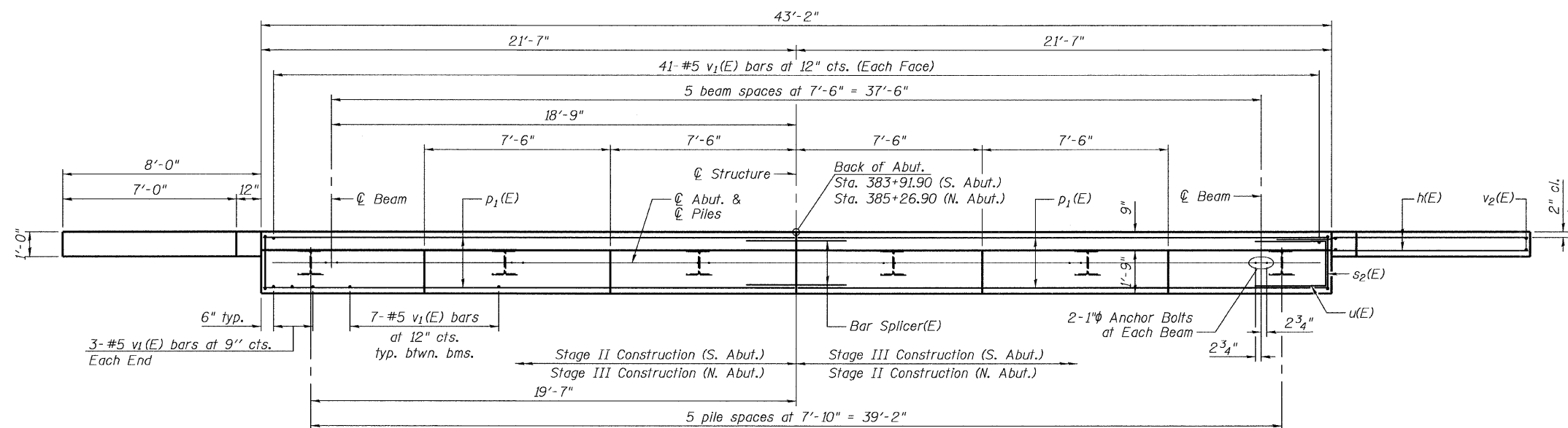


ELEVATION

(Looking South - S. Abut.)
(Looking North - N. Abut.)



SEC. THRU ABUT.



PLAN

PILE DATA

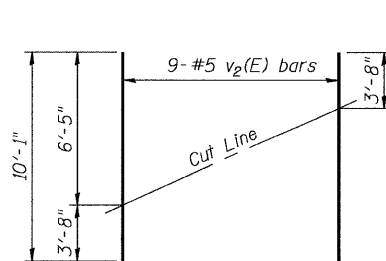
	S. Abut.	N. Abut.
Type:	HP12x53	HP12x53
Nominal Required Bearing:	335 kip	335 kip
Allowable Resistance Available:	112 kip	112 kip
Est. Length:	58'	57'
No. Production Piles:	5	5
No. Test Piles:	1	1

BENTON & ASSOCIATES, INC.

DESIGNED	MBH
CHECKED	NRF
DRAWN	MBH
CHECKED	NRF

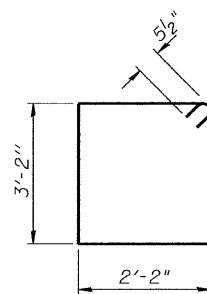
AI-0

11-1-06

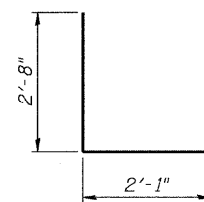


FIELD CUTTING DIAGRAM

Order v2(E) full length. Cut as shown and use remainder of bars in opposite face.



BAR s2(E)



BAR u(E)

Notes:

1. Pour steps monolithically with cap.
2. See sheet 12 of 21 for backfill required for abutment construction.
3. For pile details and concrete encasement details see sheet 18 of 21.
4. Space reinforcement in cap to miss anchor bolts.
5. For details of Bar Splicers, see sheet 19 of 21.

BILL OF MATERIAL

Bar	No.	Size	Length	Shape
h(E)	64	#5	10'-1"	—
p(E)	40	#8	21'-5"	—
s2(E)	88	#5	11'-7"	□
u(E)	16	#6	7'-5"	□
v1(E)	164	#5	4'-4"	—
v2(E)	36	#5	10'-1"	—
Structure Excavation			Cu. Yd.	860
Concrete Structures			Cu. Yd.	35.4
Reinforcement Bars, Epoxy Coated			Pound	5330
Furnishing Steel Piles, HP 12x53			Foot	575
Driving Piles			Foot	575
Test Pile Steel HP 12x53			Each	2
Pipe Underdrains for Structures, 4"			Foot	127
Porous Granular Embankment (Special)			Cu. Yd.	111.8
Pile Shoes			Each	12
Concrete Encasement			Cu. Yd.	4.2
Geocomposite Wall Drain			Sq. Yd.	68

ABUTMENTS
US 45 / DEER CREEK
F.A.P. RT. 328
WAYNE COUNTY
SN. 096-0068