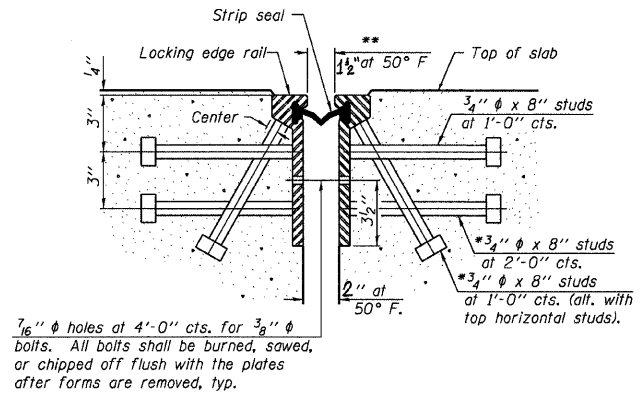
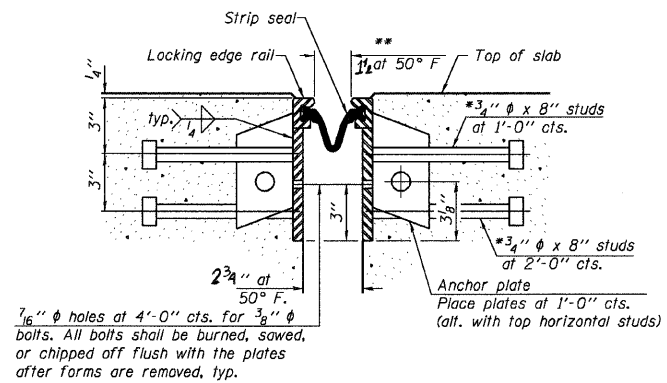


\*Granular or solid flux filled headed studs conforming to Article 1006.32 of the Std. Specs., automatically end welded.  
 \*\*When joint is fixed, dimension is set at 1 1/2".

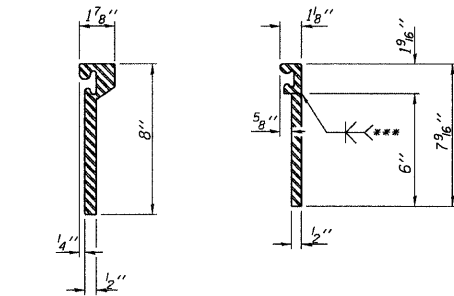


SECTION THRU ROLLED RAIL JOINT

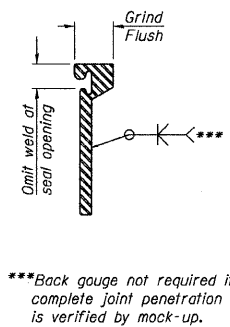


SECTION THRU WELDED RAIL JOINT

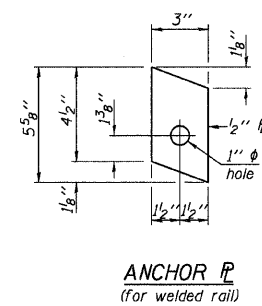
Notes:  
 The strip seal shall be made continuous and shall have a minimum thickness of 1/4". The configuration of the strip seal shall match the configuration of the Locking Edge Rails. Open or "webbed" strip seal gland configurations are not permitted. The gland shall be sized for a maximum rated movement of 4 inches.  
 The height and thickness of the Locking Edge Rails shown are minimum dimensions. The actual configuration of the Locking Edge Rails and matching strip seal may vary from manufacturer to manufacturer. Flanged edge rails will not be allowed. Locking Edge Rails may be spliced at slope discontinuities and stage construction joints.  
 The manufacturer's recommended installation methods shall be followed. The joint opening and deck dimensions detailed on the superstructure are based on a rolled rail expansion joint. If the Contractor elects to use the welded rail expansion joint, the opening and deck dimensions shall be modified according to the dimensions detailed on this sheet. Required modifications shall be made at no additional cost to the State.  
 All steel components shall be galvanized after fabrication according to Article 520.03 of the Standard Specifications.



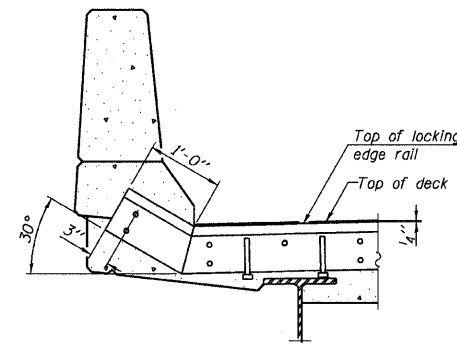
ROLLED (EXTRUDED) RAIL WELDED RAIL



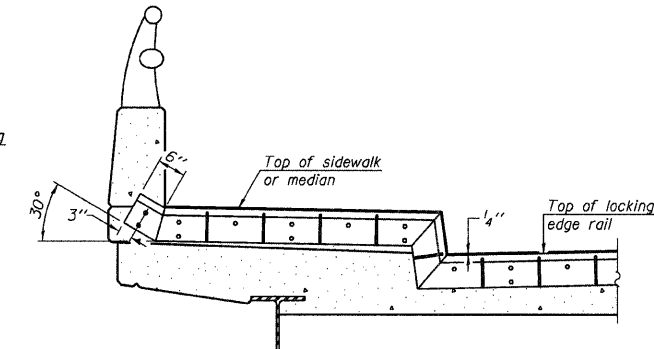
LOCKING EDGE RAIL SPLICE  
 The inside of the locking edge rail groove shall be free of weld residue.



ANCHOR PLATE (for welded rail)

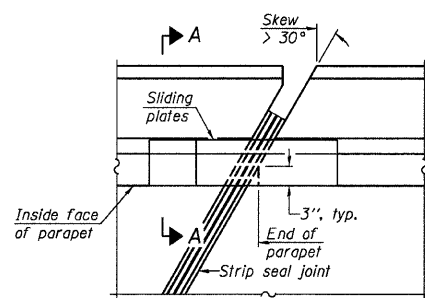


AT PARAPET

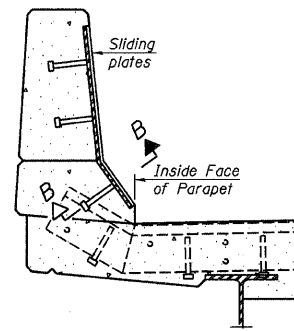


AT SIDEWALK OR MEDIAN  
 Shorter plates with a single row of studs at 12 inch centers may be necessary on medians which are shallower than 9 inches. See manufacturer's recommendation.

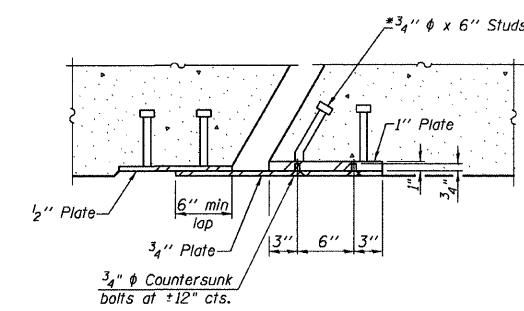
LOCKING EDGE RAILS



PLAN



SECTION A-A



SECTION B-B

TYPICAL END TREATMENTS

BILL OF MATERIAL

Item	Unit	Total
Preformed Joint Strip Seal	Foot	154

PREFORMED JOINT STRIP SEAL

EJ-SSJ

9-3-07

FILE NAME =	USER NAME = *USER*	DESIGNED - ---	REVISED - ---	<b>STATE OF ILLINOIS DEPARTMENT OF TRANSPORTATION</b>	<b>EJ-SSJ 058-0066</b>	F.A.I. RTE.	SECTION	COUNTY	TOTAL SHEETS	SHEET NO.
*FILEL*	DRAWN - ---	REVISED - ---	72			07 BRIDGE REPAIRS 2008-2	MACON	31	16	
PLOT SCALE = *SCALE*	CHECKED - ---	REVISED - ---	CONTRACT NO. 74270							
PLOT DATE = *DATE*	DATE - ---	REVISED - ---	ILLINOIS FED. AID PROJECT							
SCALE: 20----- SHEET NO. -- OF --- SHEETS STA. ----- TO STA. -----										