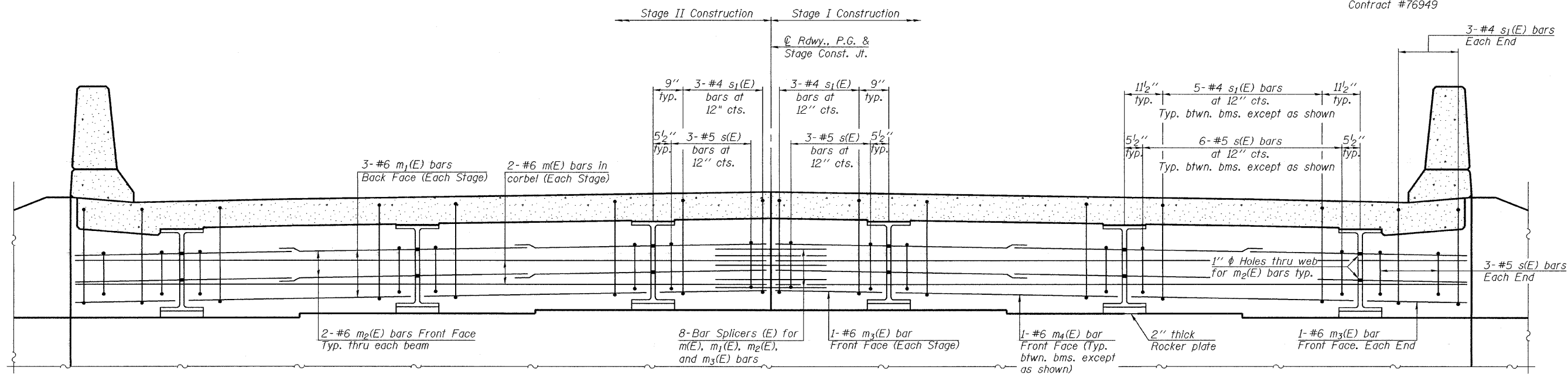


STATE OF ILLINOIS
DEPARTMENT OF TRANSPORTATION

ROUTE NO. F.A.S. 1832	SECTION 5BR-2	COUNTY WASHINGTON	TOTAL SHEETS 97	SHEET NO. 36	SHEET NO. 10 18 SHEETS
FED. ROAD DIST. NO. 7		ILLINOIS	FED. AID PROJECT-		

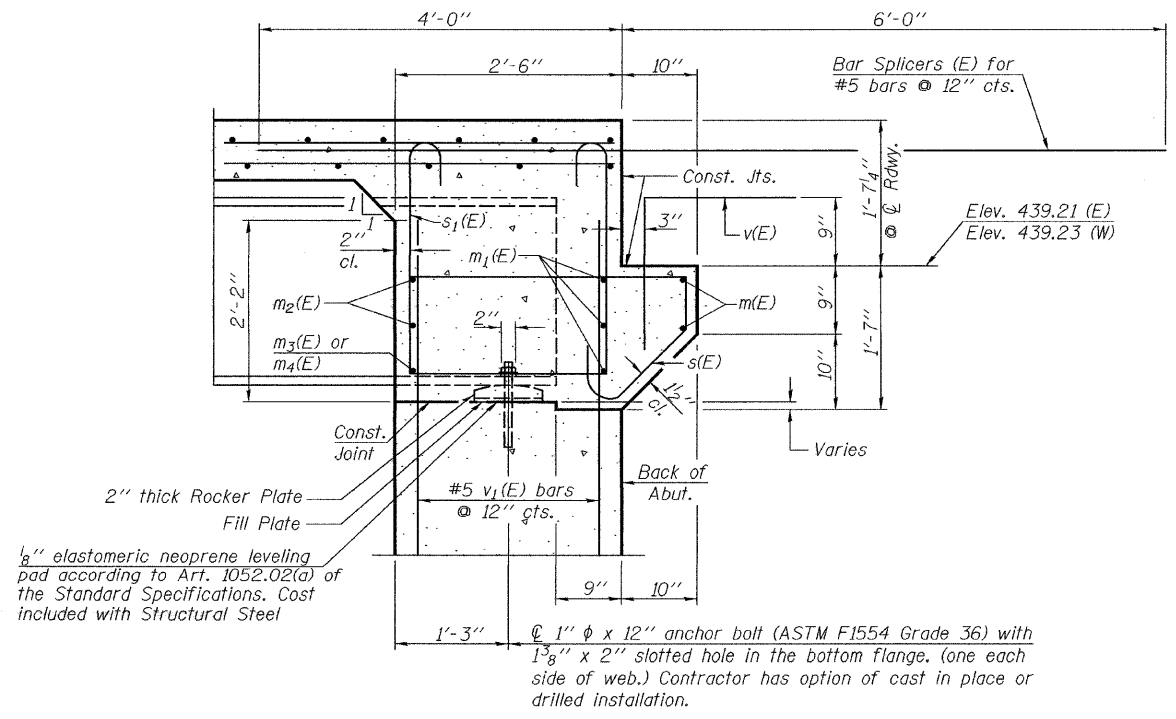
Contract #76949



DIAPHRAGM ELEVATION AT ABUTMENT
(East diaphragm shown, looking East. West diaphragm similar)

MIN. BAR LAP
#6 Bar = 2'-9"

Notes: Reinforcement bars in diaphragm are billed with Superstructure on sheet 9 of 18.
Concrete in diaphragm is included with Concrete Superstructure on sheet 9 of 18.
For detail of s(E) and s₁(E) bars see sheet 9 of 18.
The s(E) and s₁(E) bars shall be placed parallel to the beam.



SECTION A-A

DESIGNED	Phillip R. Litchfield
CHECKED	Nicholas R. Barnett
DRAWN	Gregory D. Farmer
CHECKED	PRL/NRB

January 28, 2008

EXAMINED *Thomas J. Demagala*
ENGINEER OF BRIDGE DESIGN

PASSED *Ralph E. Anderson*
ENGINEER OF BRIDGES AND STRUCTURES

DIAPHRAGM DETAILS
F.A.S. RTE. 1832 - SEC. 5BR-2
WASHINGTON COUNTY
STATION 1453+11.50
STRUCTURE NO. 095-0077