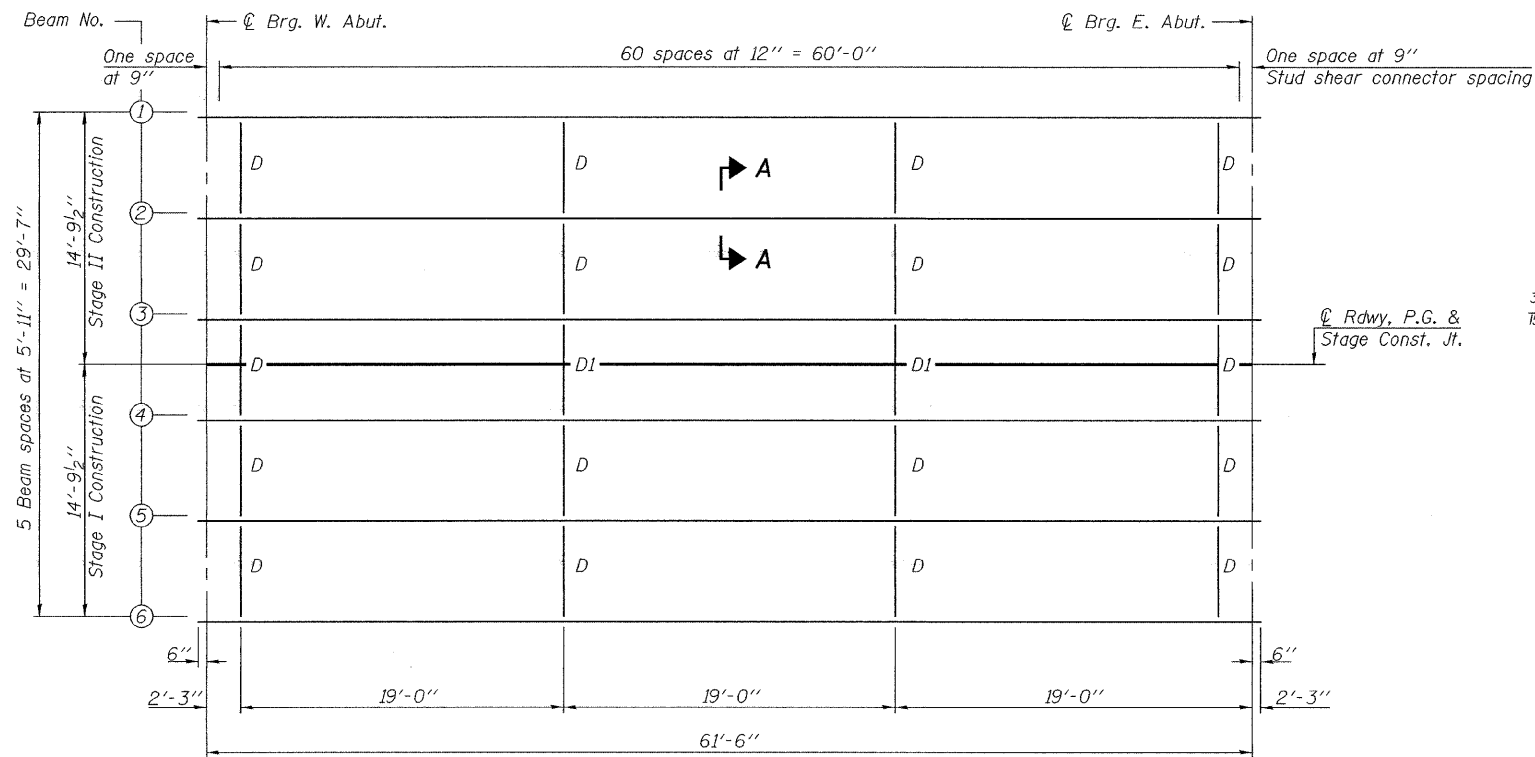


STATE OF ILLINOIS  
DEPARTMENT OF TRANSPORTATION

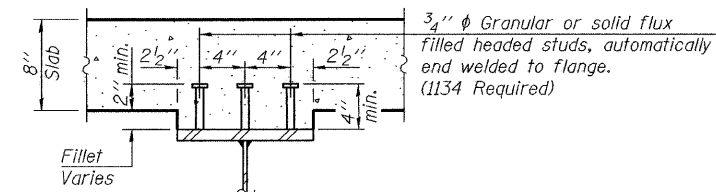
ROUTE NO.	SECTION	COUNTY	TOTAL SHEETS	SHEET NO.
F.A.S. 1832	5BR-2	WASHINGTON	97	37
FED. ROAD DIST. NO. 7		ILLINOIS	FED. AID PROJECT-	

Contract #76949



**FRAMING PLAN**

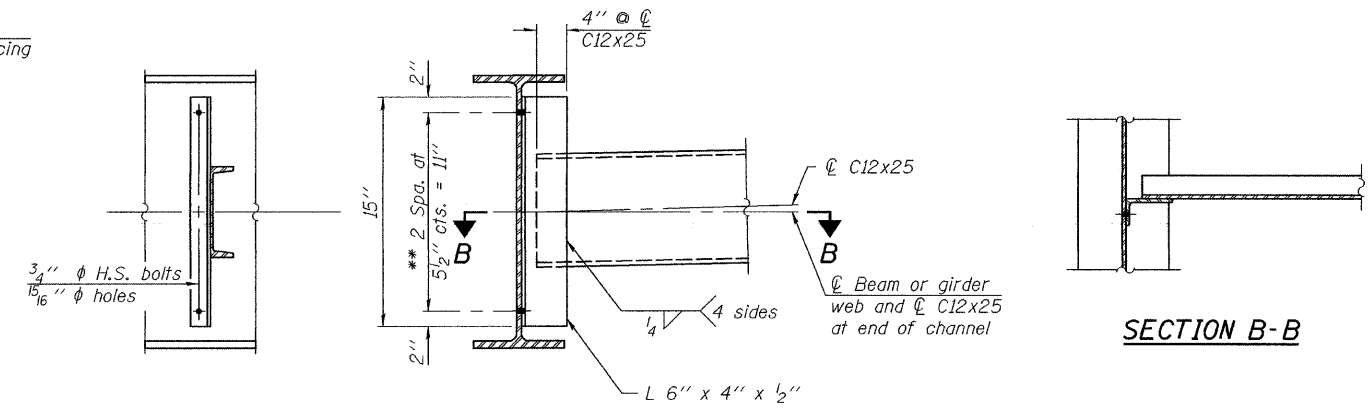
(All beams are W24x146, NTR, and AASHTO M270 Gr. 50)



**SECTION A-A**

DESIGNED Phillip R. Litchfield  
CHECKED Nicholas R. Barnett  
DRAWN Gregory D. Farmer  
CHECKED PRL/NRB

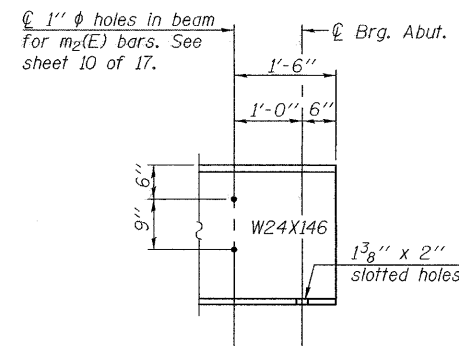
EXAMINED Thomas J. Domagala  
PASSED Ralph E. Anderson  
January 28, 2008  
ENGINEER OF BRIDGES AND STRUCTURES



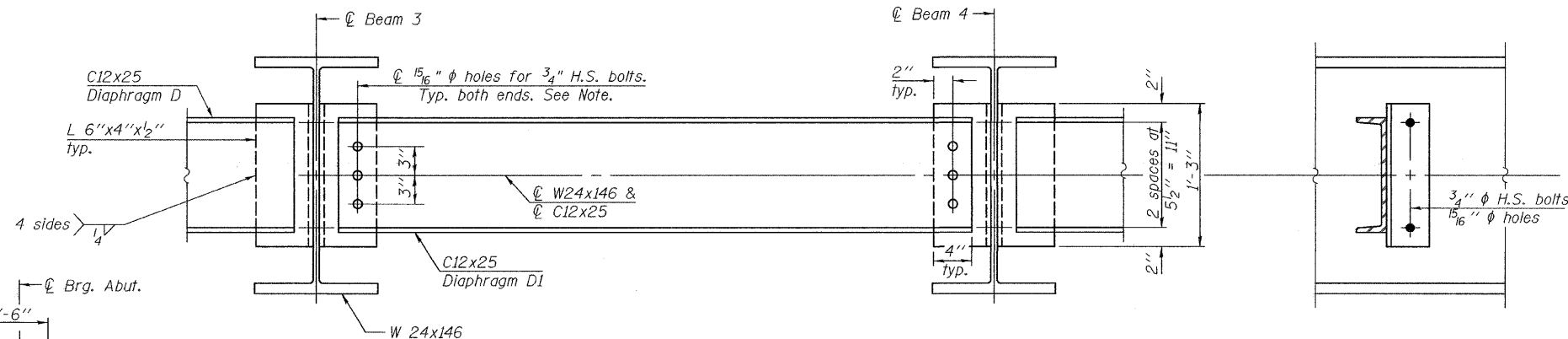
**DIAPHRAGM D**

(18 Required)

Note:  
Two hardened washers required for each set of oversized holes.  
\*\* 3/4"  $\phi$  HS bolts, 15/16"  $\phi$  holes



**TYP. END OF BEAM ELEVATION**



**DIAPHRAGM D1**

(2 Required)

Note: Install only the center bolt at each end of Diaphragm D1. The bolts shall be finger tightened prior to deck pour to permit rotation of Diaphragm D1. Install the remaining bolts and fully tighten after stage two deck pour is complete.  
Load carrying components designated "NTR" shall conform to the Supplemental Requirements for Notch Toughness, Zone 2.

**STRUCTURAL STEEL**  
F.A.S. RTE. 1832 - SEC. 5BR-2  
WASHINGTON COUNTY  
STATION 1453+11.50  
STRUCTURE NO. 095-0077