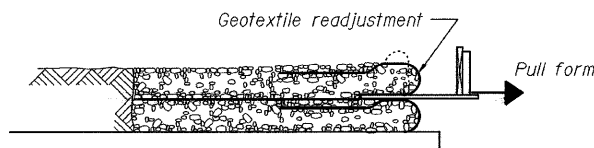
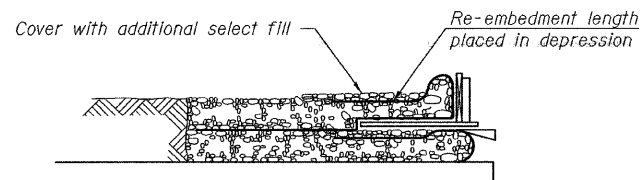
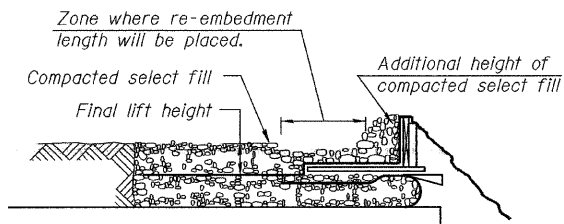
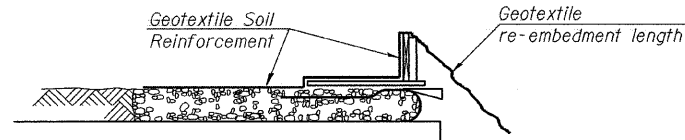
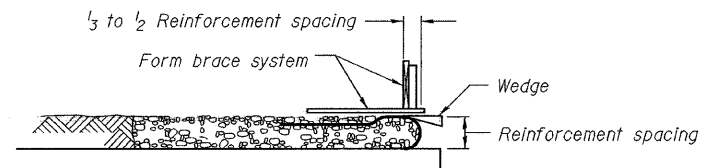


STATE OF ILLINOIS
DEPARTMENT OF TRANSPORTATION

ROUTE NO.	SECTION	COUNTY	DISTRICT	SHEET NO.
F.A.S. 1832	5BR-2	WASHINGTON	97	74
FED. ROAD DIST. NO. 7		ILLINOIS	FED. AID PROJECT-	

SHEET NO. 4
12 SHEETS

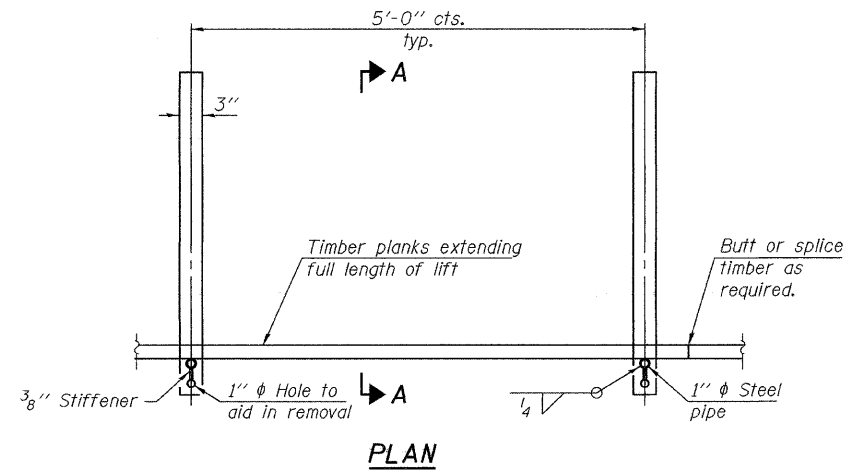
Contract #76949



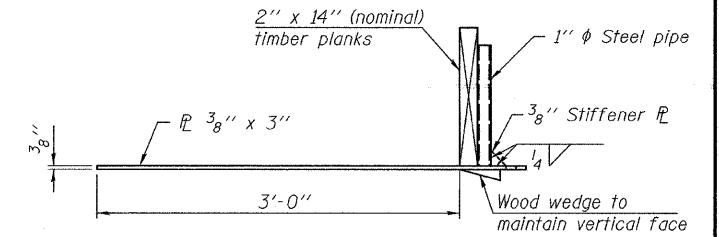
**GEOTEXTILE WALL
CONSTRUCTION SEQUENCE**

Note:
The geotextile soil reinforcement shall have a minimum allowable tensile strength (T min.) of 50 lb./in. as determined by the procedure described in the Special Provision. The computations supporting the determination of (T min.) shall be submitted to the engineer for approval.

1. Place form brace system on completed reinforcement level; back from the finished fabric face a distance of $\frac{1}{3}$ to $\frac{1}{2}$ the geotextile reinforcement spacing.
2. Position fabric so that the required geotextile re-embedment length extends over the top of the form brace and the design reinforcement width is placed with no slack against the previous level.
3. Compact select fill material in lifts to final lift height, create ($\pm 3''$) depression in zone where re-embedment length will be located and place additional height of compacted select fill against form brace.
4. Fold geotextile re-embedment length back over form brace into zone where depression was made in select fill and place additional select fill ($\pm 3''$) to embed geotextile and bring to final lift height.
5. Pull form brace outward allowing geotextile face to slightly readjust to form tight round face level with plan reinforcement spacing.

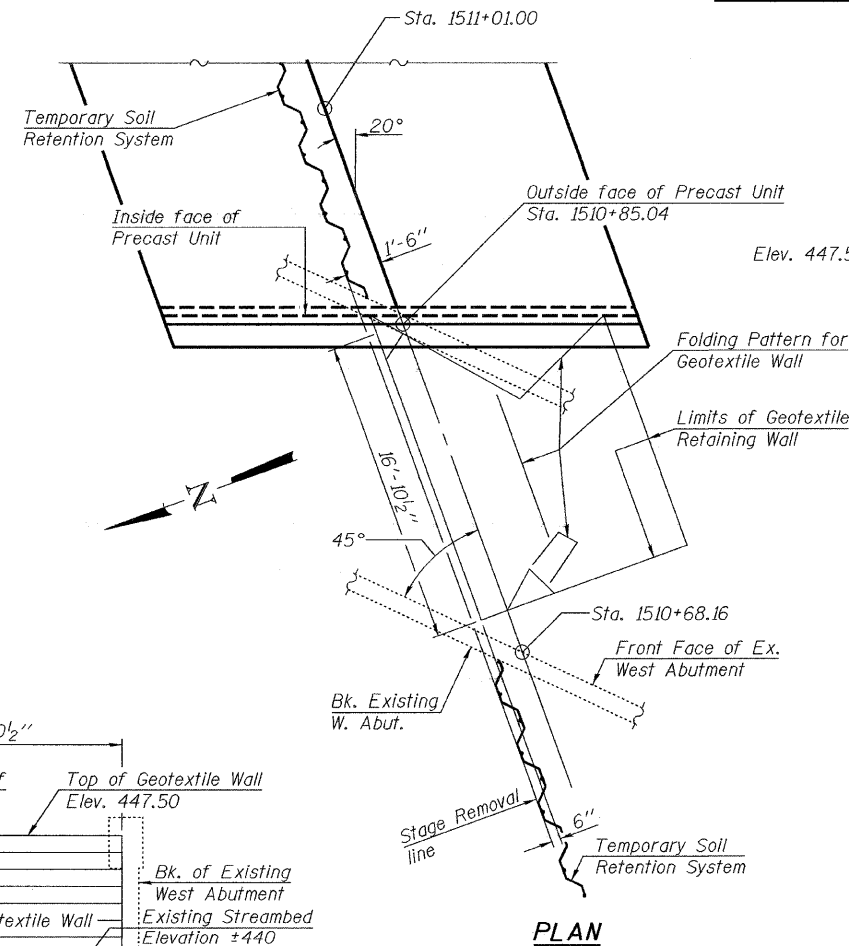


**GEOTEXTILE WALL
FORM BRACE DETAIL**

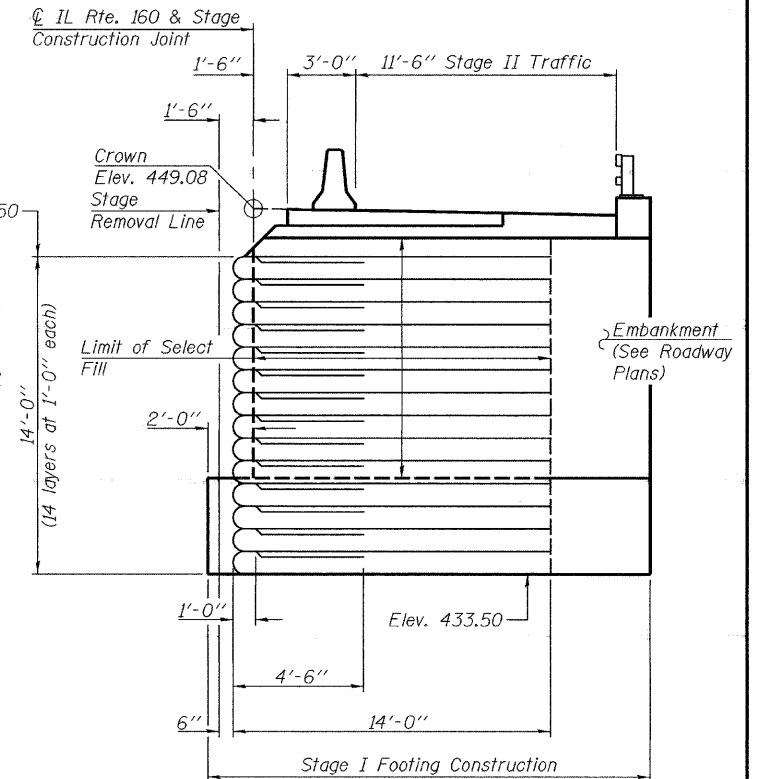


SECTION A-A

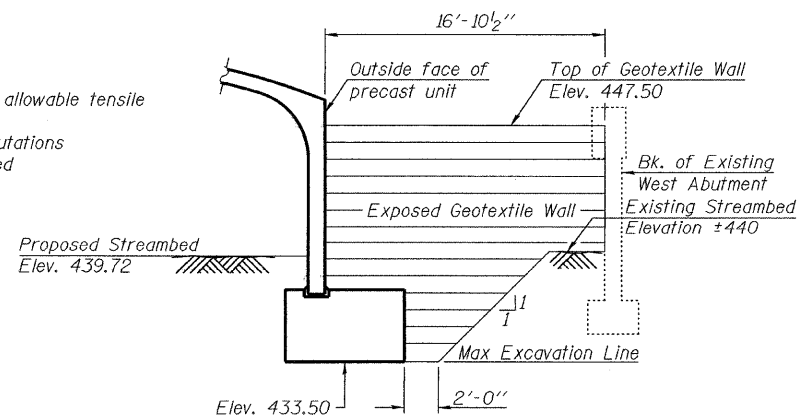
Note:
This is a suggested detail, the Contractor is responsible for the design of the form brace system to be used.



PLAN



CROSS SECTION



ELEVATION

(Looking South at West Footing)

DESIGNED	Nicholas R. Barnett
CHECKED	Roy Ahanchi
DRAWN	Gregory D. Farmer
CHECKED	NRB/GRA

EXAMINED	Thomas J. Domagalaki	January 28 2008
PASSED	Ralph E. Anderson	

GEOTEXTILE RETAINING WALL
F.A.S. RTE. 1832 - SECT. 5BR-2
WASHINGTON COUNTY
STATION 1511+01.00
STRUCTURE NO. 095-0078