

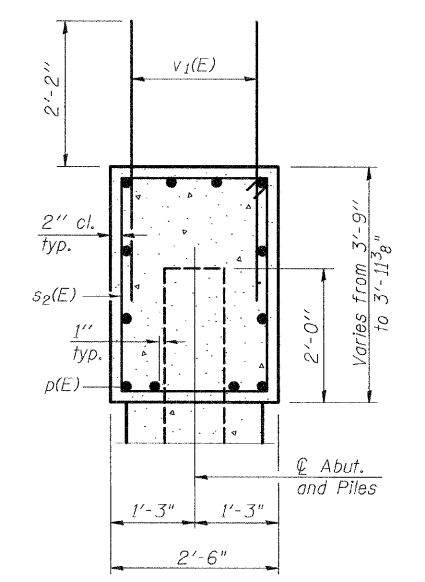
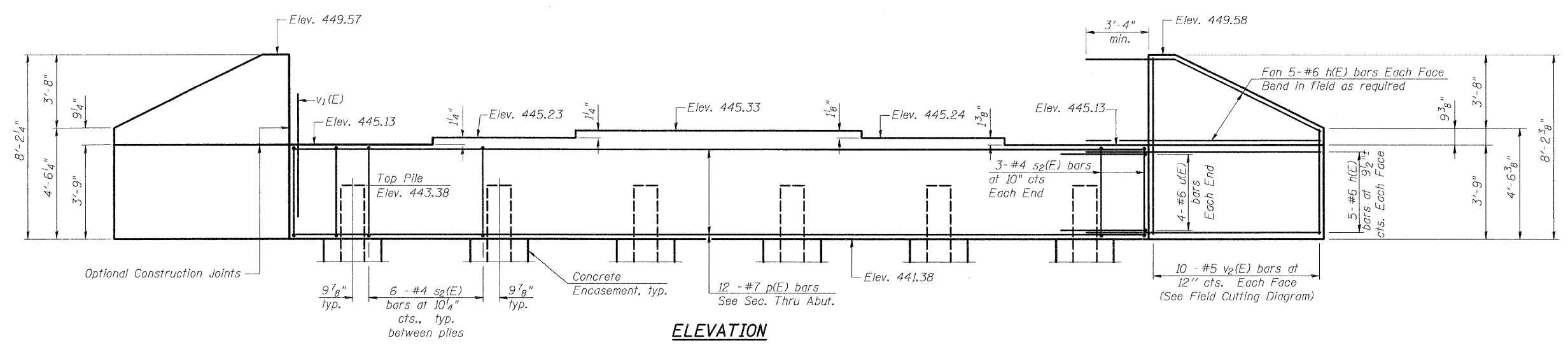
12/14/2007 11:59:39 AM

cs:\02files\020409\02-0409\028 wc 17 bridge plans\bridge plans\014-0077_18_EastAbut.dgn

ROUTE NO.	SECTION	COUNTY	TOTAL SHEETS	SHEET NO.
F.A.S. 1780	27-1BR-1	CLINTON	69	43
FED. ROAD DIST. NO. 8		PLANED	FED. AID PROJECT	SHEET NO. 18
				27 SHEETS

Contract # 76961

Notes: Pour steps monolithically with cap.
Space reinforcement to miss anchor bolts.

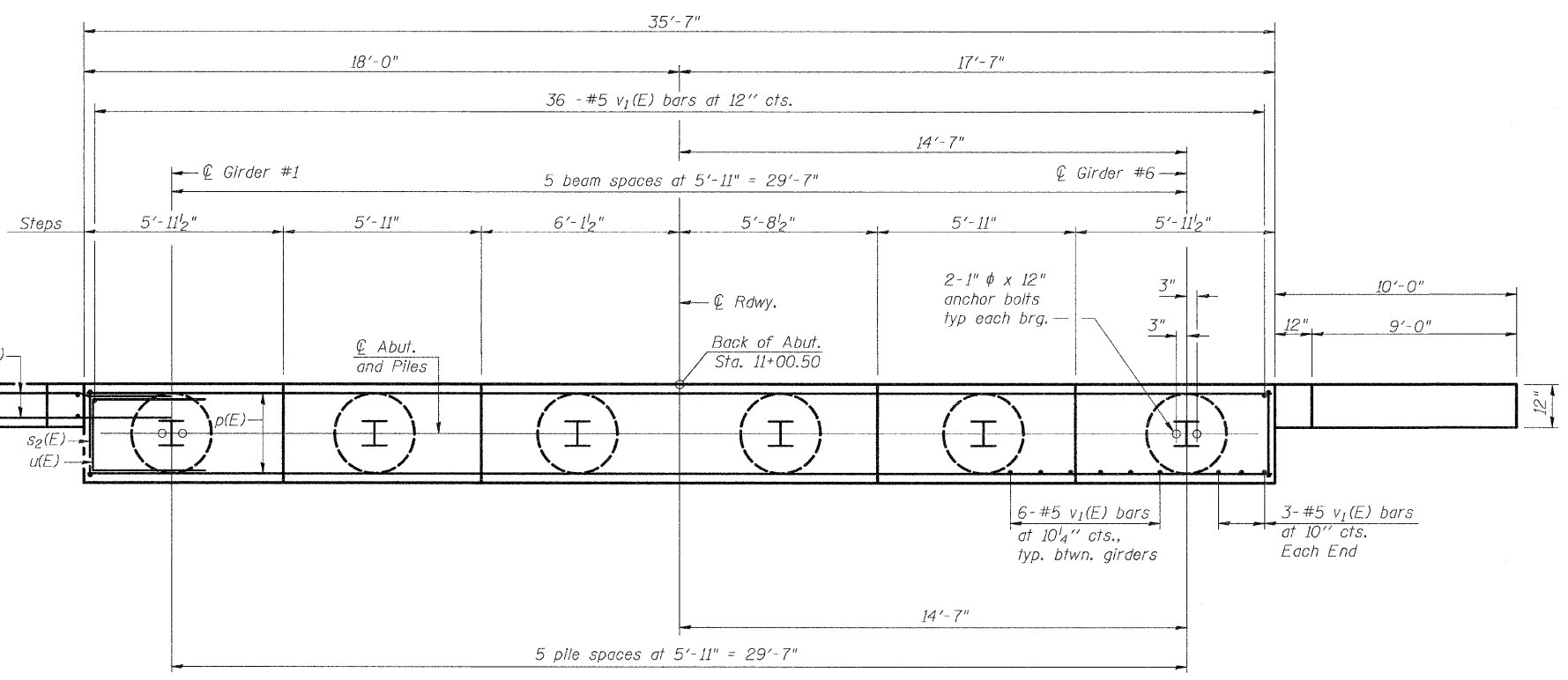


SEC. THRU ABUT.

BILL OF MATERIAL

Bar	No.	Size	Length	Shape
h(E)	40	#6	13'-4"	—
p(E)	12	#7	35'-3"	—
s2(E)	33	#4	12'-1"	□
u(E)	8	#6	8'-10"	—
v1(E)	72	#5	4'-4"	—
v2(E)	40	#5	12'-4"	—
Structure Excavation			Cu. Yd.	81
Concrete Structures			Cu. Yd.	17.5
Reinforcement Bars, Epoxy Coated			Pound	2880
Furnishing Steel Piles, HP12x53			Foot	295
Driving Piles			Foot	295
Test Pile Steel HP12x53			Each	1
Concrete Encasement			Cu. Yd.	2.1

For details of piles and Concrete Encasement, see sheet 24 of 27.



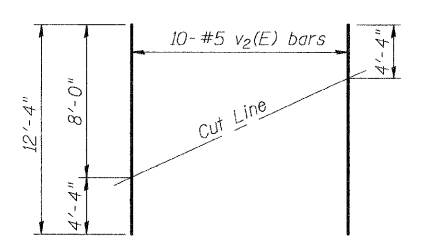
PLAN

PILE DATA

Type: Steel HP 12x53
Nominal Required Bearing: 419 kips
Factored Resistance Available: 209 kips
Est. Length: 59'-0"
No. Production Piles: 5
No. Test Piles: 1

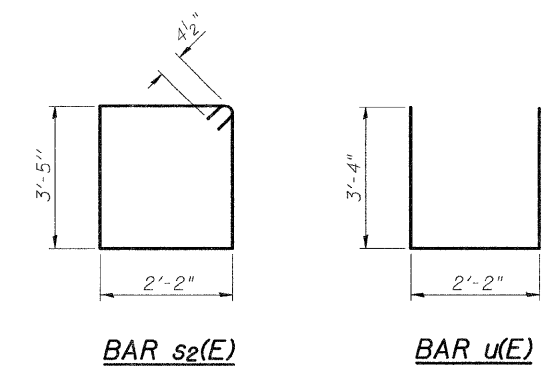
DESIGNED	ADL
CHECKED	WLW
DRAWN	BCJ
CHECKED	WLW
AI-0	

11-1-06



FIELD CUTTING DIAGRAM

Order v2(E) full length. Cut as shown and use remainder of bars in opposite face.



BAR s2(E)

BAR u(E)

EAST ABUTMENT
FAS RTE 1780 (OLD US 50) OVER
SUGAR CREEK
SECTION 27-1BR-1
CLINTON COUNTY
STATION 9+14.50
STRUCTURE NUMBER 014-0077

Klingner & Assoc., P.C.