

12/14/2007 11:59:40 AM
 C:\02files\020409\02-0409.028 wo 17 bridge plans\bridge plans\014-0077_20_Pier2.dgn

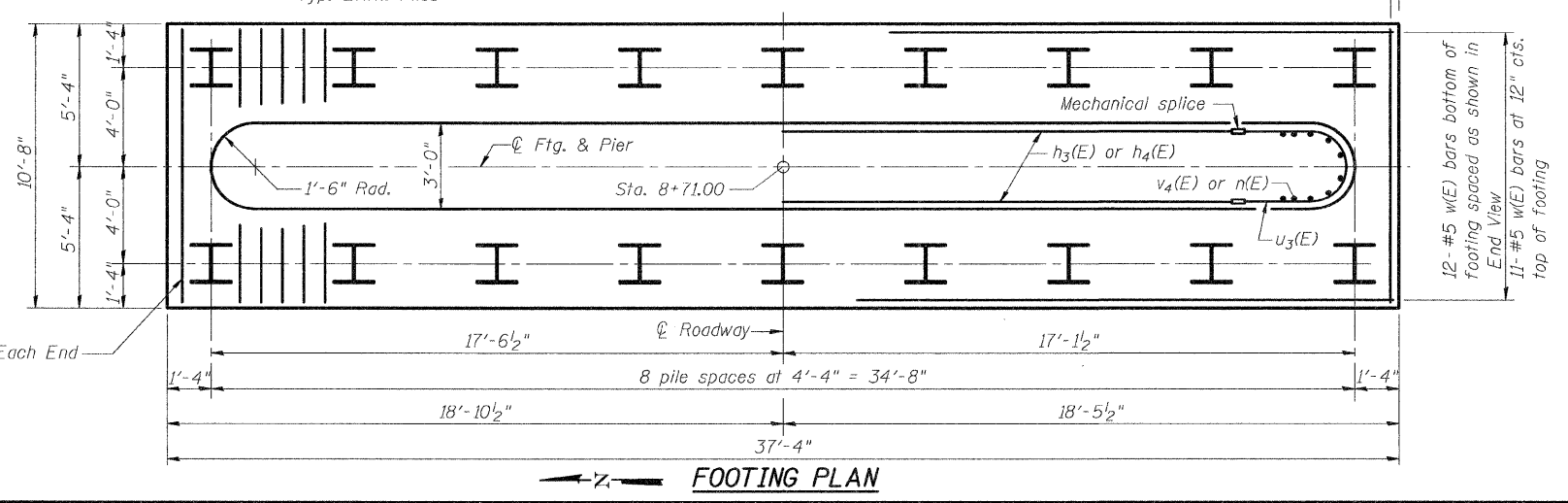
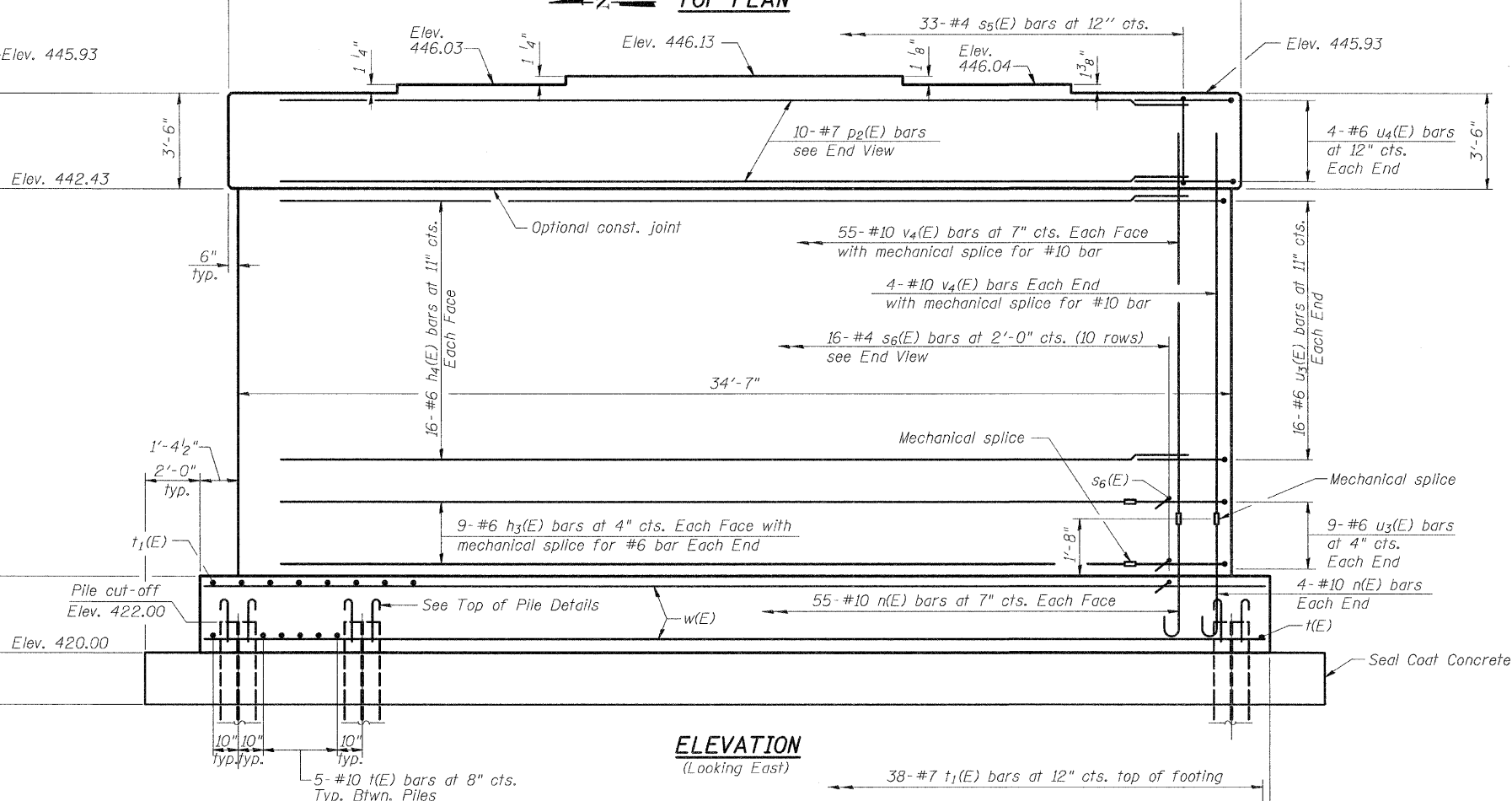
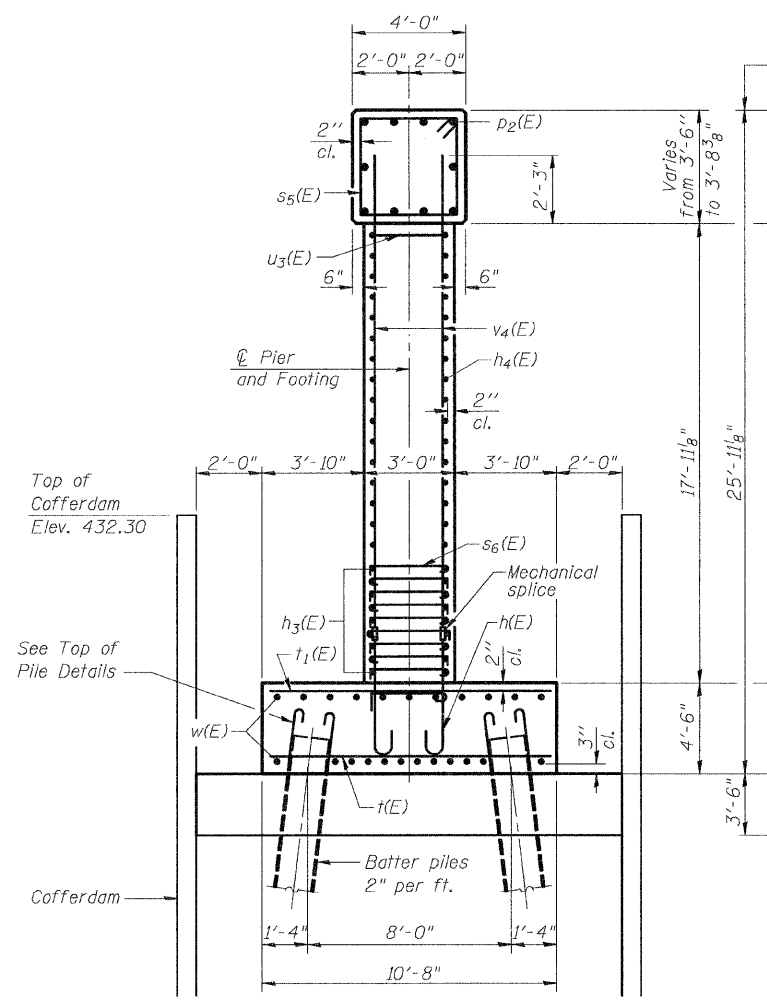
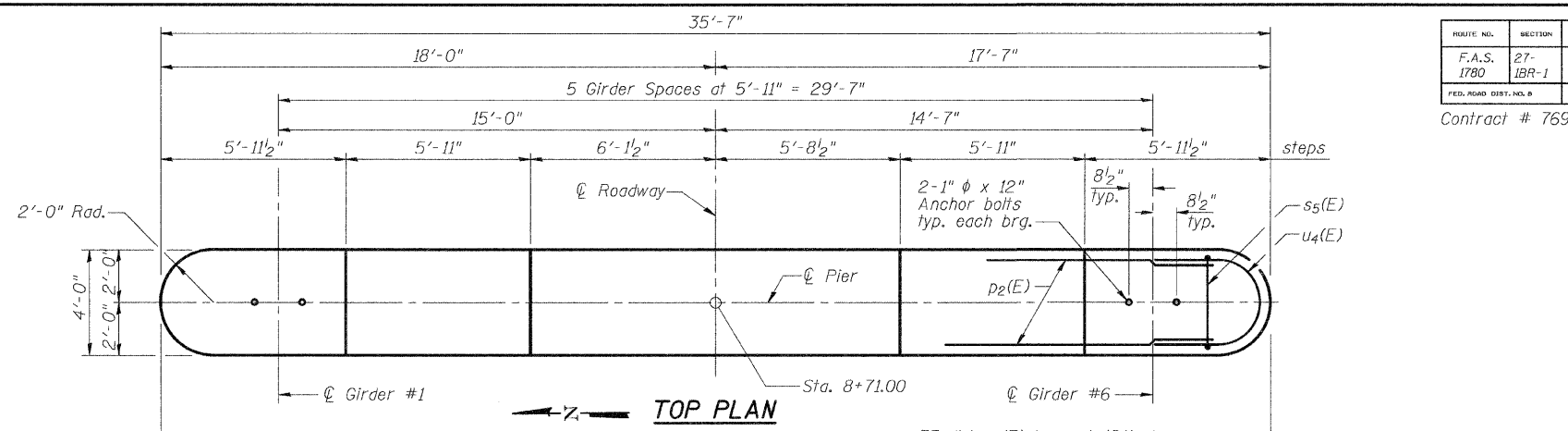
PROJECT NO.	SECTION	COUNTY	TOTAL SHEETS	SHEET NO.	SHEET NO. 20 27 SHEETS
F.A.S. 1780	27-1BR-1	CLINTON	61	45	
FED. ROAD DIST. NO. 8	ILLINOIS	FED. AID PROJECT			

Contract # 76961

Notes:
 Space reinforcement in cap to miss anchor bolts.
 Pour steps monolithically with cap.
 For details of piles, see sheet 24 of 27.
 See sheet 21 of 27 for Bill of Material and Top of Pile Details.
 The Seal Coat Concrete is designed for water elevation 432.30.

PILE DATA

Type: HP 14 x 89
 Nominal Required Bearing: 705 kips
 Factored Resistance Available: 337 kips
 Est. Length: 28'-0"
 No. Production Piles: 17
 No. Test Piles: 1



DESIGNED	ADL
CHECKED	WLW
DRAWN	BGJ
CHECKED	WLW

PIER #2
 FAS RTE 1780 (OLD US 50) OVER
 SUGAR CREEK
 SECTION 27-1BR-1
 CLINTON COUNTY
 STATION 9+14.50
 STRUCTURE NUMBER 014-0077