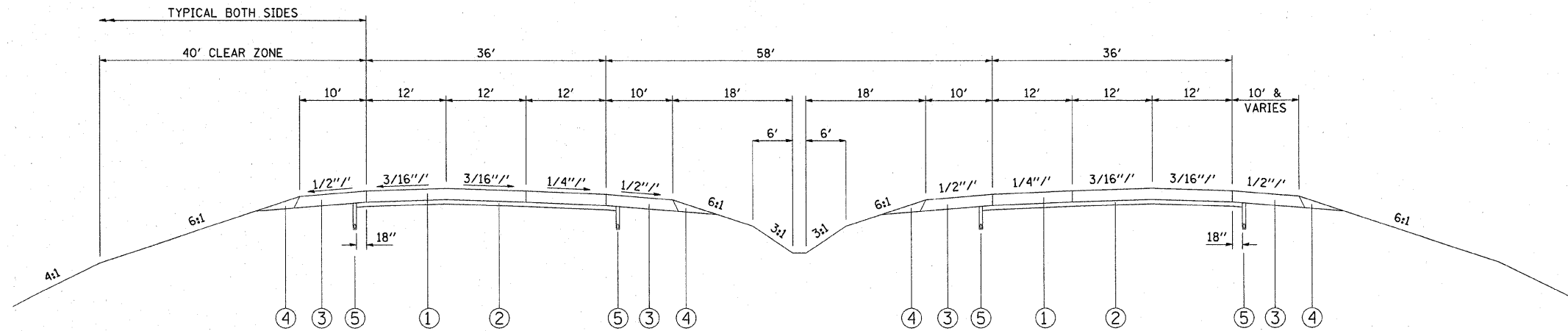


EXISTING TYPICAL SECTION

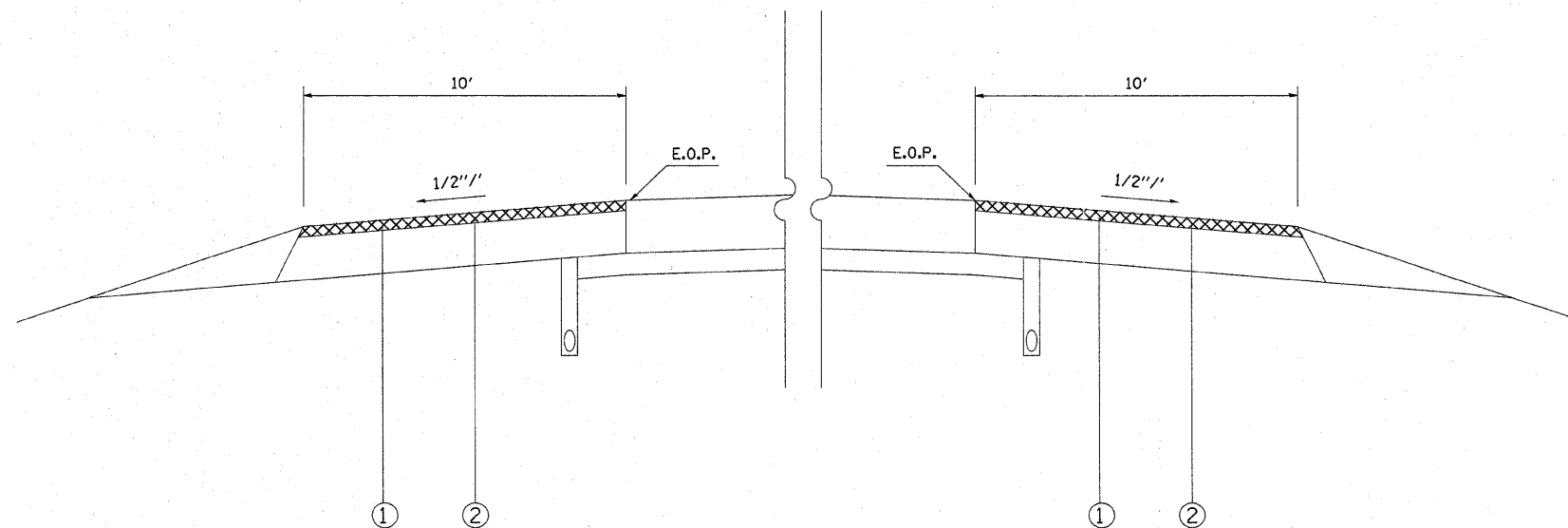


LEGEND (FOR INFORMATION ONLY)

- ① 10" C.R.P.C.C. PAVEMENT
- ② 4" STABILIZED SUB-BASE
- ③ BITUMINOUS SHOULDERS 10"
- ④ AGGREGATE SHOULDER, TYPE B
- ⑤ PIPE UNDERDRAIN 4" (SEE STD. 2327)

STA. 1473 - STA. 1499

PROPOSED SHOULDER TYPICAL SECTION



LEGEND

- ① HMA SURFACE REMOVAL, 2"
- ② HMA BINDER COURSE, IL-19.0, N90

MIXTURE USE	BINDER
AC/PG	PG 64-22
RAP % (MAX)	10%
DESIGN AIR VOIDS	4.0% @ Ndes=90
MIX COMPOSITION (GRADIATION MIXTURE)	IL 19.0
FRICITION AGG	MIXTURE "B"

Plan quantities for Bituminous Concrete Surface Course Items are calculated using a unit weight of 112 lb/sq yd/in (59.8 kg/sq m/25 mm thickness).

SHOULDER DETAIL

NOTE: MILL 2" FROM EDGE OF PAVEMENT AT 1/2" DOWNWARD.

FILE NAME =	USER NAME = harbaughrd	DESIGNED -	REVISED -	STATE OF ILLINOIS DEPARTMENT OF TRANSPORTATION	TYPICAL SECTIONS		F.A.I. RTE.	SECTION	COUNTY	TOTAL SHEETS	SHEET NO.
ct\projects\ed06306\plan\p1n06306a.dgn		DRAWN -	REVISED -		295	60-8B-II	MADISON	42	3		
PLOT SCALE = 50.0000' / IN.		CHECKED -	REVISED -		CONTRACT NO. 76A25						
PLOT DATE = 12/20/2007		DATE -	REVISED -		SCALE: NA	SHEET NO. 3 OF 42 SHEETS	STA.	TO STA.	FED. ROAD DIST. NO.	ILLINOIS FED. AID PROJECT	

Rev. 2-4-08