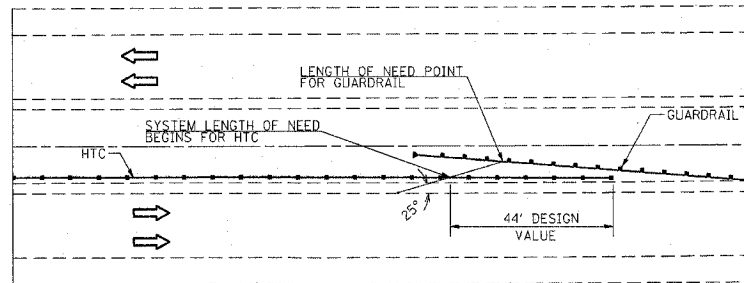
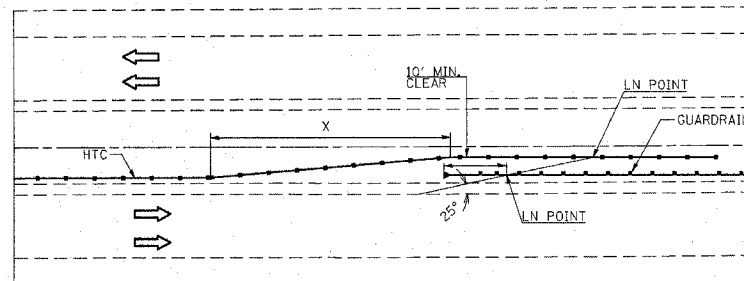


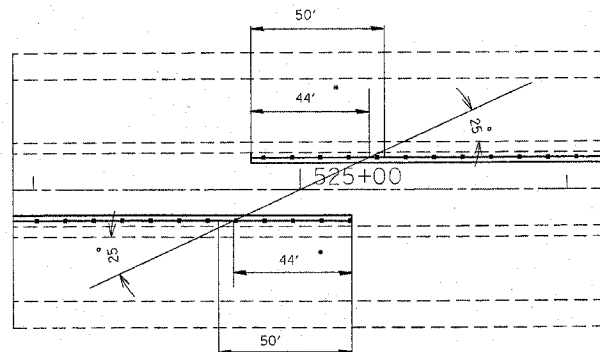
F.A.I. RTE.	SECTION	COUNTY	TOTAL SHEETS	SHEET NO.
270	60-(1,2,3,4,5)I	MADISON	46	28
STA. _____		TO STA. _____		
FED. ROAD DIST. NO. _____		ILLINOIS FED. AID PROJECT		



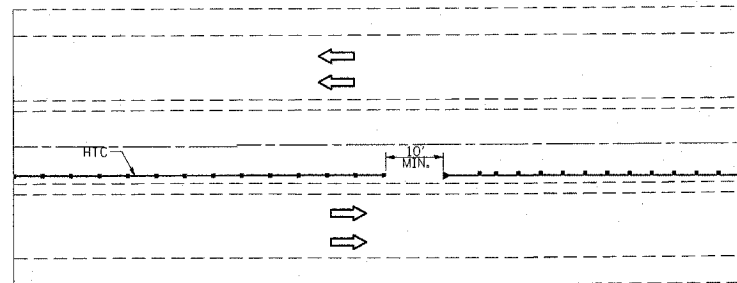
HTC LAYOUT FOR TERMINATION IN FRONT OF FLARED GUARDRAIL



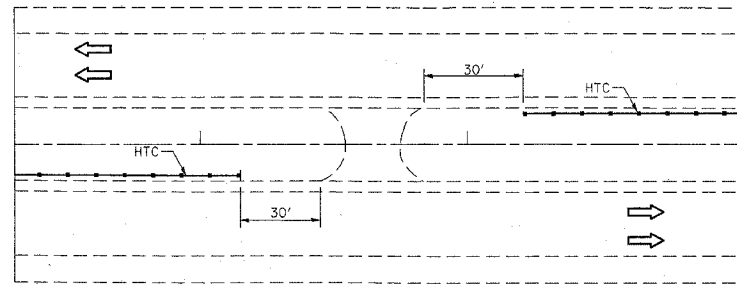
HTC LAYOUT FOR TERMINATION BEHIND TANGENT GUARDRAIL



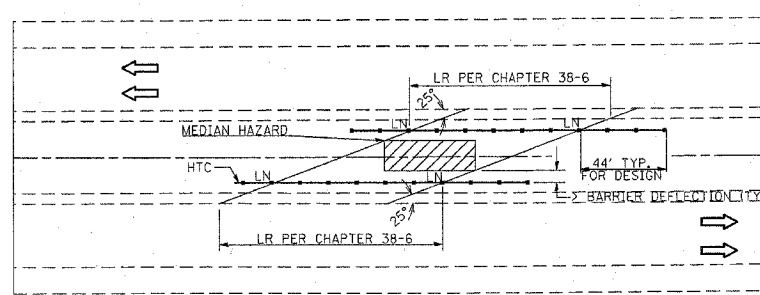
HTC LAYOUT FOR PLACEMENT ON OPPOSITE SIDES



HTC LAYOUT ADJACENT TO GUARDRAIL



HTC LAYOUT AT MEDIAN CROSSOVERS



HTC LAYOUT FOR MEDIAN HAZARD PROTECTION

• FOR PURPOSES OF HTC LAYOUT SHOWN IN PLANS, 44' FOR LON POINT WAS USED. ACTUAL LON POINT WILL VARY DEPENDING ON HTC SYSTEM USED.

PAY LENGTH FOR HTC MEDIAN BARRIER TERMINAL IS 50' REGARDLESS OF LON POINT.

REVISIONS	
NAME	DATE

ILLINOIS DEPARTMENT OF TRANSPORTATION  
**HTC DETAILS**  
 FAI RTE 270  
 SECTION 60-(1,2,3,4,5)I  
 MADISON COUNTY

SCALE: VERT.  
 HORIZ.  
 DATE

DRAWN BY  
 CHECKED BY