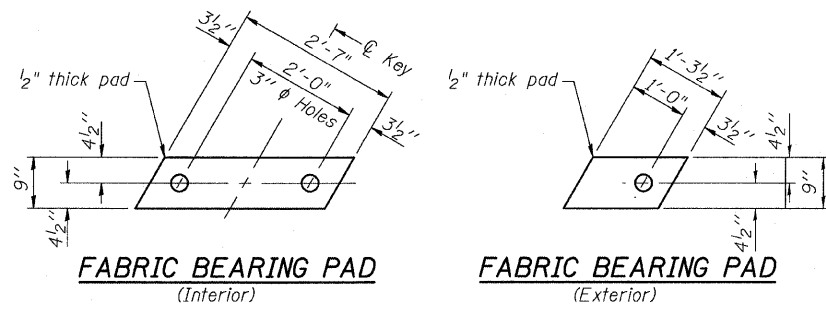


STATE OF ILLINOIS
DEPARTMENT OF TRANSPORTATION

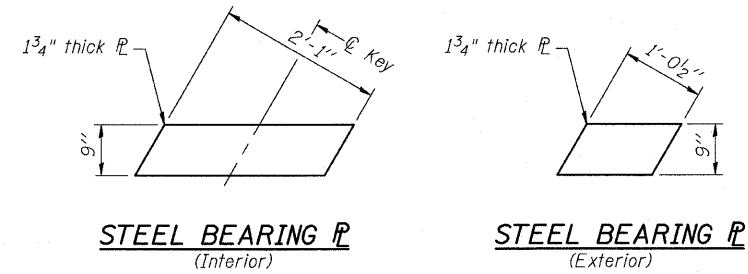
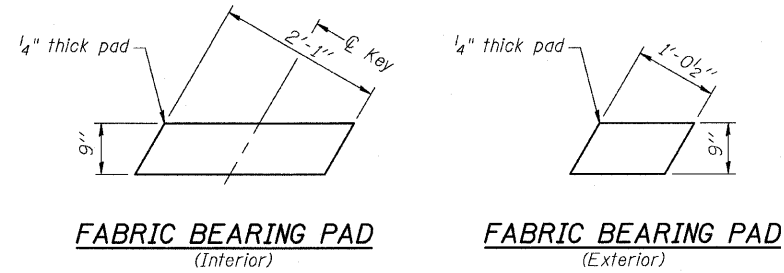
ROUTE NO. FAP 310	SECTION 57BR-1	COUNTY JERSEY	TOTAL SHEETS 25	SHEET NO. 17	SHEET NO. 8 14 SHEETS
FED. ROAD DIST. NO. 7		ILLINOIS	FED. AID PROJECT-		

Contract #76B20



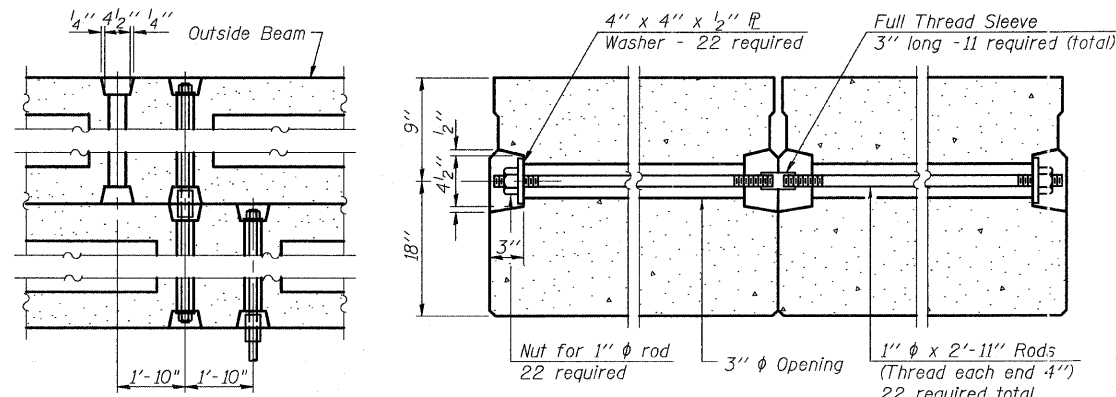
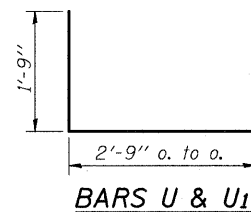
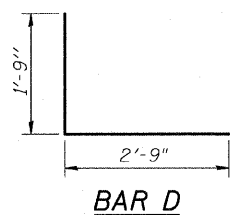
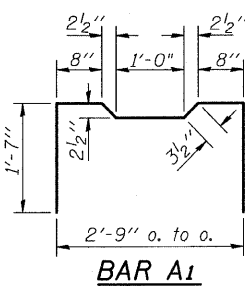
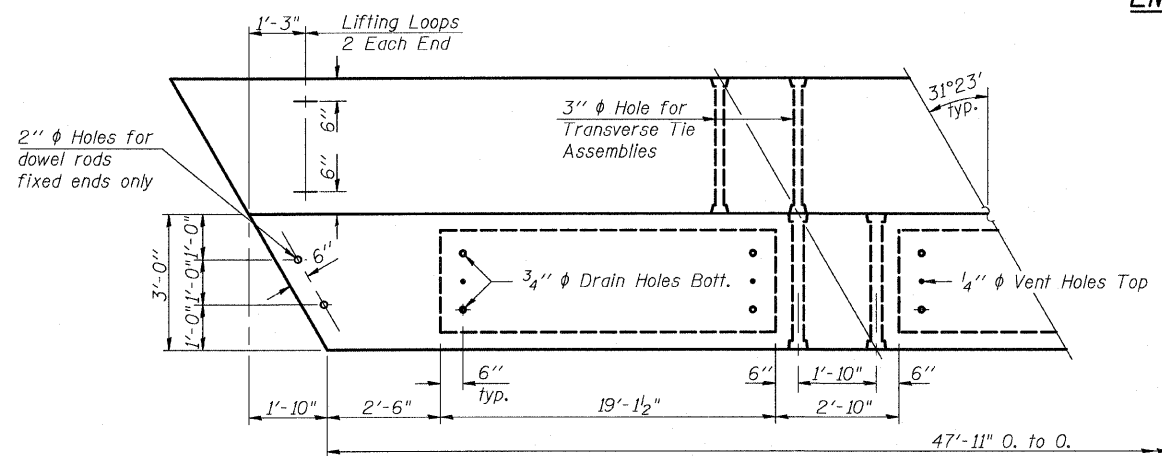
FIXED

(See sheet 6 of 14 for details.)

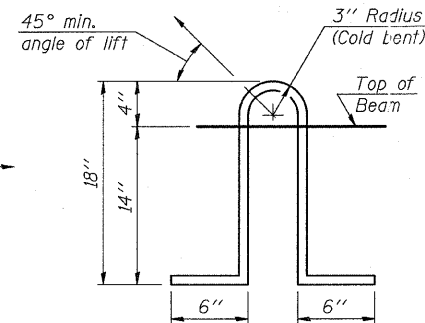
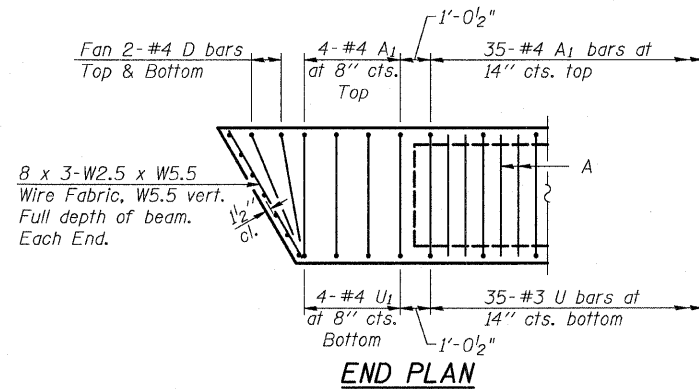


EXPANSION

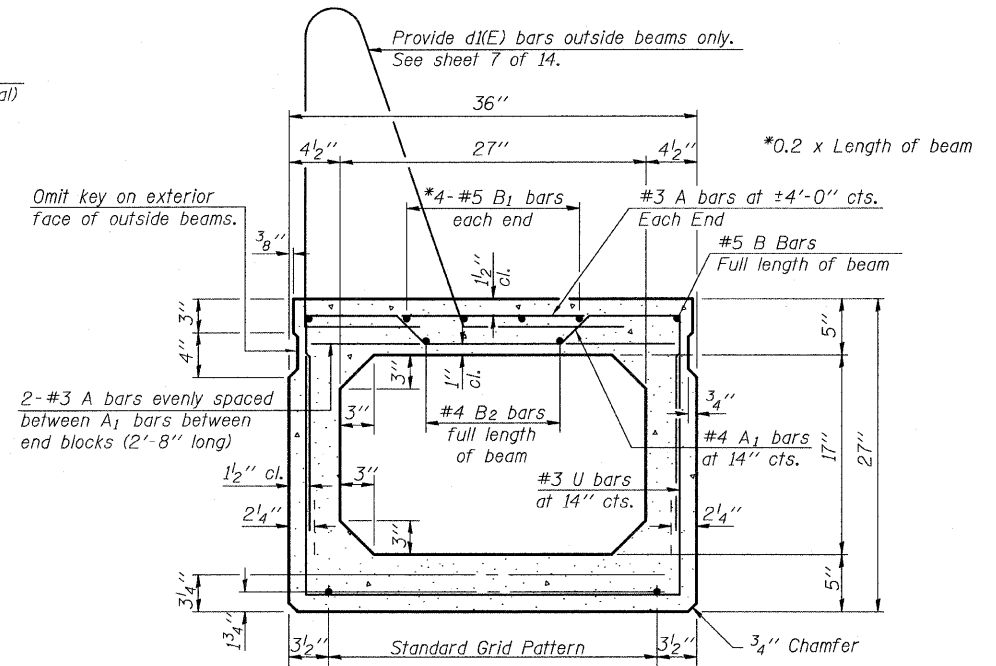
(See sheet 6 of 14 for details.)



TYPICAL TRANSVERSE TIE ASSEMBLY



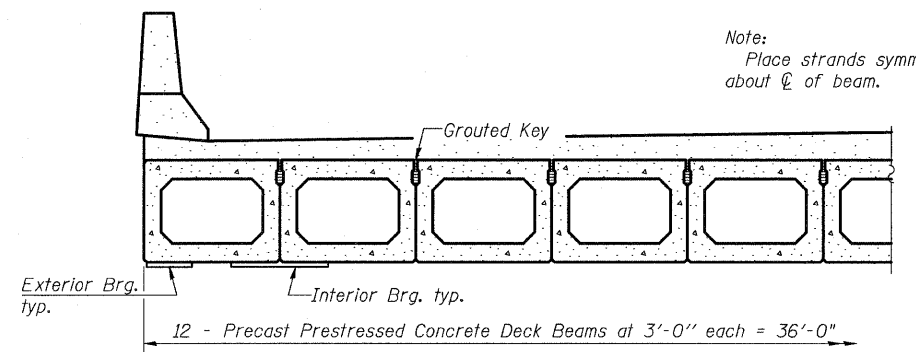
LIFTING LOOP DETAIL



TYPICAL SECTION

1/2" diameter Strands, Each Strand Stressed to 30,900 Lbs.
8 Strands 1 3/4" up, 4 Strands 3/4" up

Note:
Place strands symmetrically about centerline of beam.



NOTES

- 1 Prestressing steel shall be uncoated high strength, low relaxation 7-wire strand, Grade 270.
- 2 The nominal diameter shall be 1/2" and the nominal cross-sectional area shall be 0.153 sq. in.
- 3 Lifting loops shall be 2 - 1/2" diameter 270 ksi strands, as shown.
- 4 The 1" diameter rods in the transverse tie assembly shall be tightened to a snug fit and the threads set. Pockets that receive transverse tie bar on outside shall be filled with grout after transverse tie assembly is in place.
- 5 Non prestressing steel shall conform to ASTM A 706 (IL MOD), Grade 60.
- 6 The bearing seat surfaces shall be adjusted by shimming to assure firm and even bearing. Two 1/2" fabric adjusting shims of the dimensions of the Exterior Bearing Pad shall be provided for each bearing.
- 7 Keyway surfaces shall be cleaned to remove form oil or other bond breaking material prior to shipment of the beams. Cleaning shall be done by sandblasting the keyway areas between top of the beam and the bottom edge of the key.
- 8 Corrosion Inhibitor, per Article 1020.05(b)(12) of the Standard Specifications, shall be used in the concrete for precast prestressed concrete deck beams.
- 9 Required Release Strength, f'ci, shall be 4,000 p.s.i.
- 10 Bearing pads and plates, anchor bolts and installation are included in the cost of Precast Prestressed Concrete Deck Beams, (27" Depth).

BILL OF MATERIAL

Precast Prestressed Conc. Deck Bms. (27" Depth)	Sq. Ft.	1,725

SUPERSTRUCTURE DETAILS

**US ROUTE 67 OVER
DEARCY CREEK
FAP ROUTE 310 SECTION 57BR-1
JERSEY COUNTY
STATION 651+79.77
STRUCTURE NO. 042-0001**