

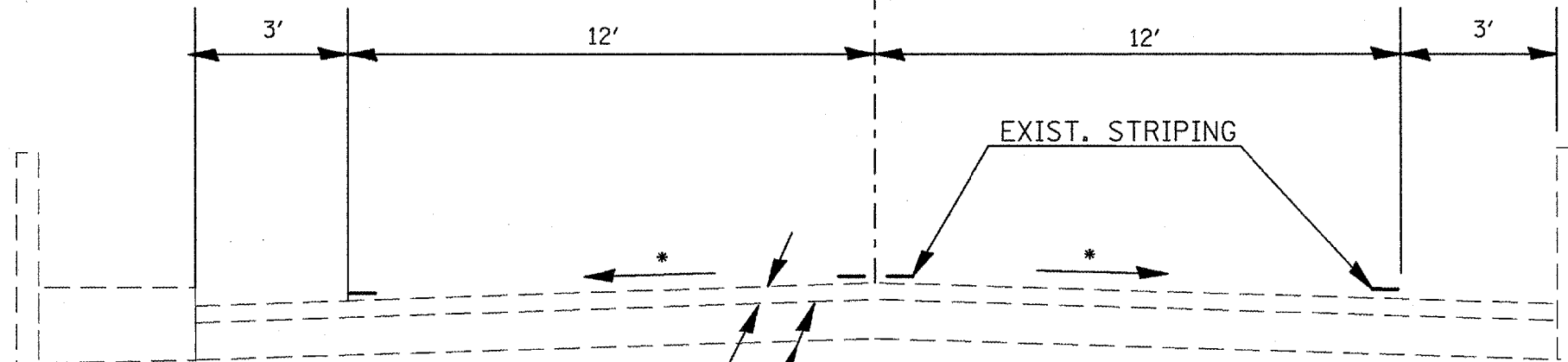
F.A. RTE.	SECTION	COUNTY	TOTAL SHEETS	SHEET NO.
*	**	***	30	7

STA. _____ TO STA. _____
 FED. ROAD DIST. NO. _____ ILLINOIS FED. AID PROJECT

- * VARIOUS
- ** D9 CONT. MAINT. BIT. RES. FY 08-1
- *** SALINE & JACKSON

TYPICAL SECTION #3

⊥
 FAS 919 (Makanda Rd.)
 OMITTED SECTION



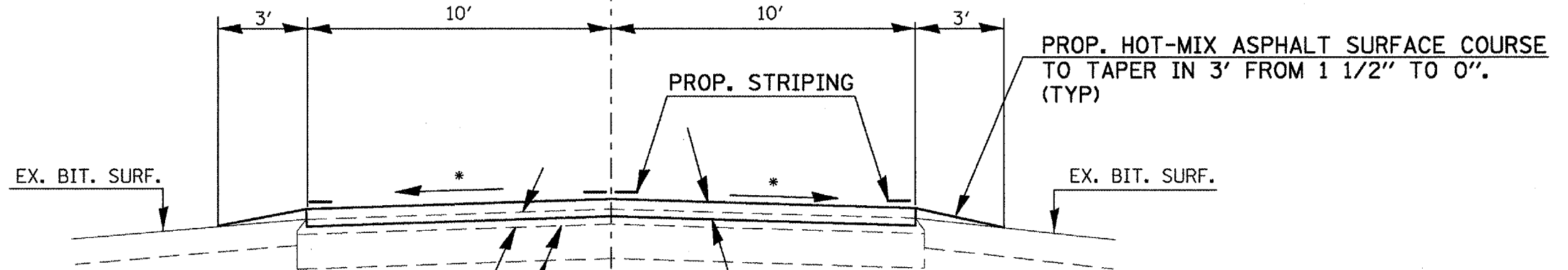
EX. BITUMINOUS SURFACE COURSE 2 "

EX. STRUCTURE PAVEMENT 21"

TO BE USED:
 STA. 2+81 TO STA. 4+15
 (S.N. 039-0055 OMISSION)

TYPICAL SECTION #4

⊥
 FAS 919 (Makanda Rd.)



EX. BIT. SURF.

EX. BITUMINOUS SURFACE COURSE 2"

EX. PAVEMENT

PROP. HOT-MIX ASPHALT SURFACE COURSE,
 MIXTURE C, N 90 (VAR. 3" TO 1 1/2");
 HOT-MIX ASPHALT SURFACE REMOVAL 1 1/2"
 (SEE DETAIL OF EX. BIT. TAPER REMOVAL
 ON SHEET 20)

TO BE USED:
 STA. 5+52 (RR X-ING) TO STA. 7+17

* Match Existing Slope