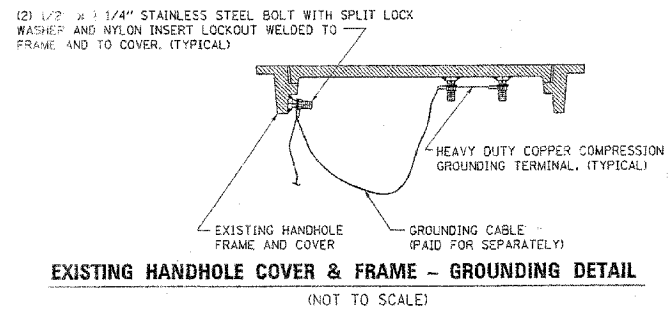
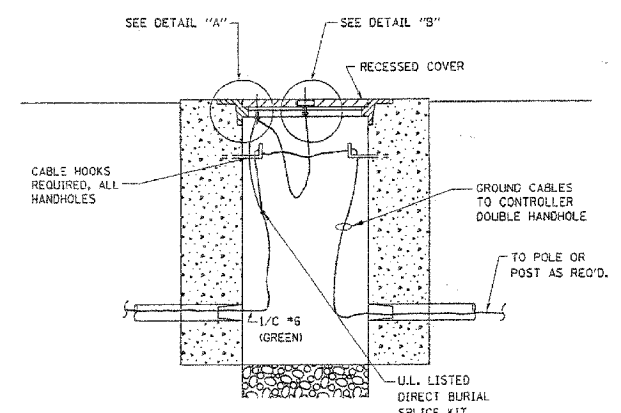
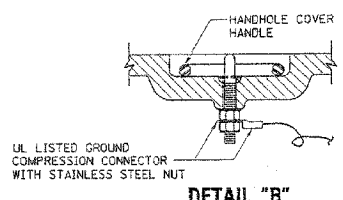
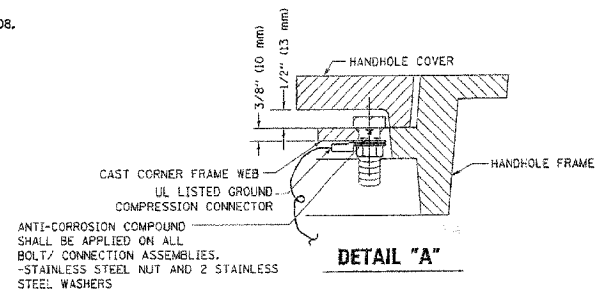
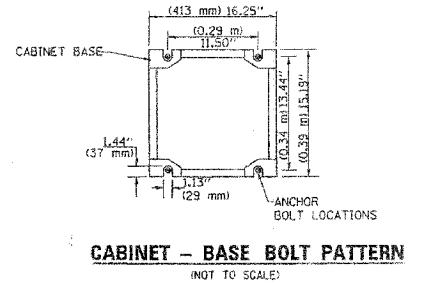
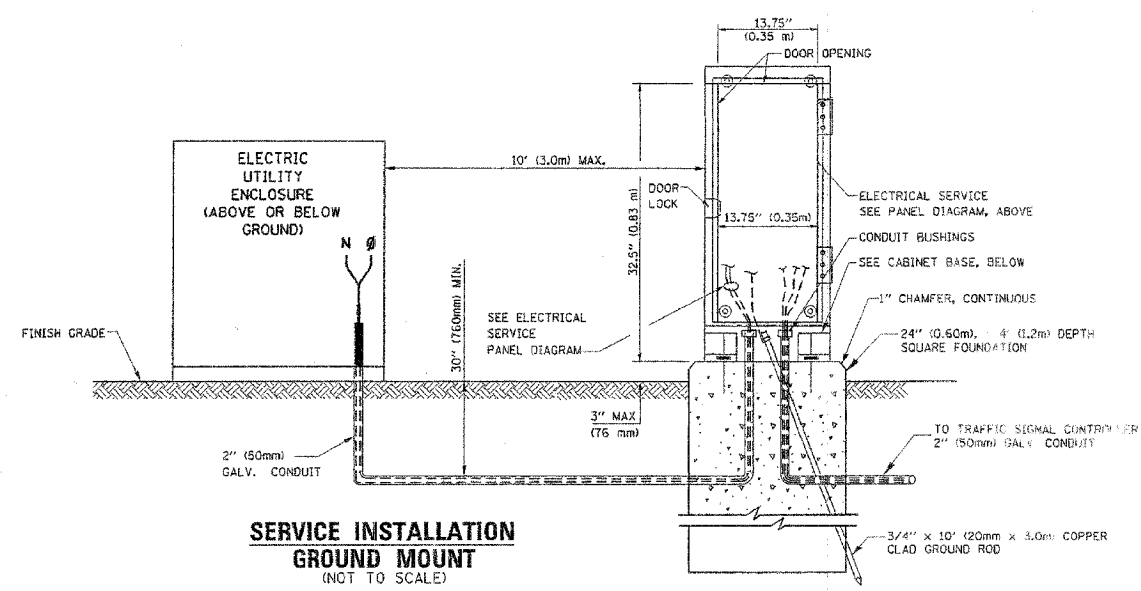


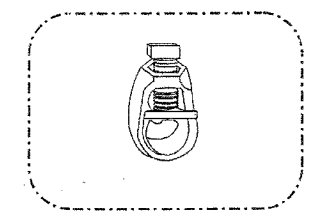
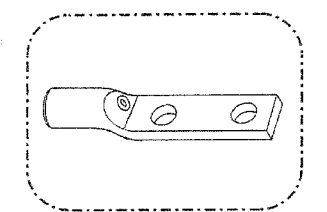
**ELECTRICAL SERVICE - PANEL DIAGRAM (TYPICAL FOR POLE AND GROUND MOUNTED SERVICE)**  
**SERVICE INSTALLATION POLE MOUNT (SHOWN)**  
 (NOT TO SCALE)



**NOTES:**

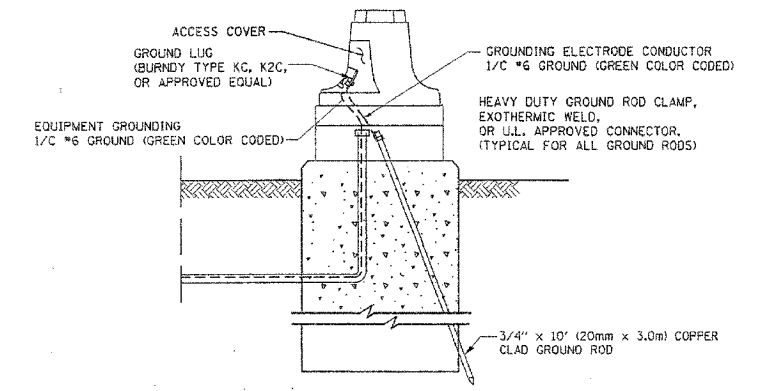
**GROUNDING SYSTEM**

- THE GROUNDING SYSTEM SHALL CONSIST OF AN INSULATED CONDUCTOR TYPE XLP, NO. 6 A.W.G., STRANDED COPPER TO BE INSTALLED IN RACEWAYS. THE GROUNDING CABLE SHALL BE INSTALLED IN A CONTINUOUS MANNER AS SHOWN ON THE CABLE PLAN PROVIDED. ALL GROUNDING CONDUCTORS SHALL BE BONDED TO METAL ENCLOSURE (HANDHOLE, POST, MAST ARM, CONTROLLER, ETC.). GROUND ROD SHALL BE 3/4" DIA. x 10'-0" (20mm x 3.0m) LONG, COPPER CLAD. ONE GROUND ROD SHALL BE INSTALLED AT ALL POST FOUNDATIONS, POLE FOUNDATIONS, CONTROLLER CABINET FOUNDATION AND ELECTRICAL SERVICE INSTALLATION AS INDICATED ON THE CABLE PLAN. IF THERE ARE ANY SPECIAL CONDITIONS SUCH AS SUB-SURFACE CONDITIONS OR INSTALLATION PROBLEMS, THE RESIDENT ENGINEER SHALL BE NOTIFIED OR CONTACT THE BUREAU OF TRAFFIC, ILLINOIS DEPARTMENT OF TRANSPORTATION DISTRICT ONE AT (847) 705-4133.
- THE NEUTRAL CONDUCTOR AND THE GROUND CONDUCTOR SHALL BE CONNECTED IN THE SERVICE INSTALLATION. AT NO OTHER POINT IN THE TRAFFIC SIGNAL SYSTEM SHALL THE NEUTRAL AND GROUND CONDUCTORS BE CONNECTED.
- ALL EQUIPMENT GROUNDING CONDUCTORS SHALL TERMINATE AT THE GROUND BUS IN THE CONTROLLER CABINET.
- THE CONTRACTOR SHALL PROVIDE A GROUND CABLE WITH CONNECTORS BETWEEN THE HANDHOLE COVER AND HANDHOLE FRAME.



**NOTES:**

- ALL CLAMPS SHALL BE BRONZE OR COPPER, U.L. APPROVED.
- GROUND CABLE SHALL BE LOOPED OVER HOOKS IN THE HANDHOLES. 6.5' (2.0m) SLACK SHALL BE PROVIDED IN SINGLE HANDHOLES. 13' (4.0m) OF SLACK SHALL BE PROVIDED IN DOUBLE HANDHOLES. 5' (1.4m) OF SLACK SHALL BE PROVIDED BETWEEN FRAME AND COVER.



**SMITH ENGINEERING CONSULTANTS, INC.**  
 CIVIL/STRUCTURAL ENGINEERS AND SURVEYORS  
 4500 PRIME PARKWAY, SUITE 201  
 MOKENSBY, ILLINOIS 60050  
 PH: 815-385-1779 FAX: 815-385-1781  
 www.smithengineering.com E-MAIL: sec@smthengineering.com  
 • MCKENRY • HUNTER • YORKVILLE  
 ILLINOIS PROFESSIONAL DESIGN FIRM # 184-000108

ILLINOIS DEPARTMENT OF TRANSPORTATION

VILLAGE OF MUNDELEIN  
 CMAQ/SEAVEY BIKE PATH

DISTRICT 1 STANDARD TRAFFIC SIGNAL  
 DESIGN DETAILS

SCALE: "NTS" DRAWN BY: CFR  
 DATE: 11-15-06 CHECKED BY: GFR

REVISIONS	
NO.	DATE
7.	
6.	
5.	
4.	
3.	
2.	
1.	

PLOT FILE: STANDARD  
 VIEW: JT  
 COMP: FILE: 020400-005.dwg