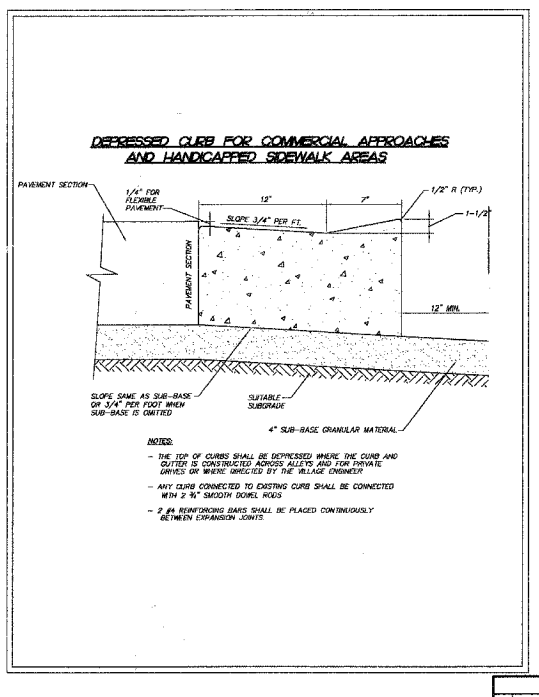
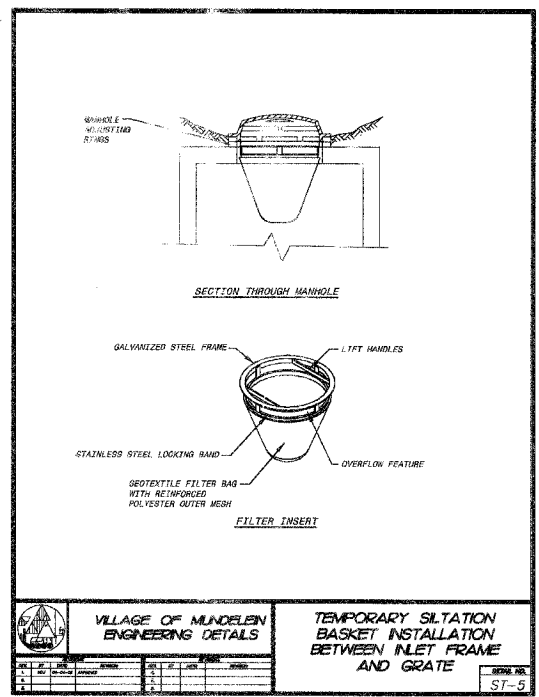
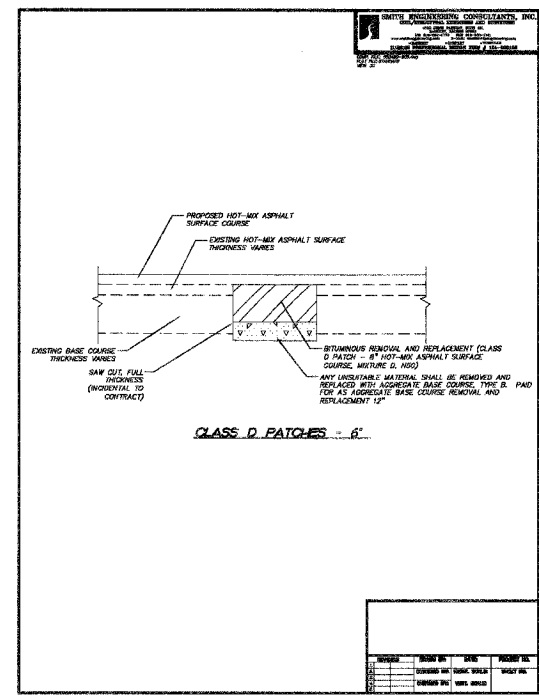
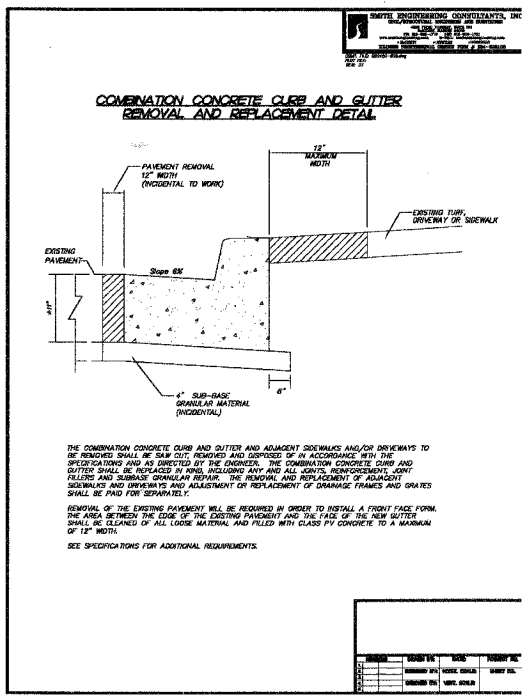
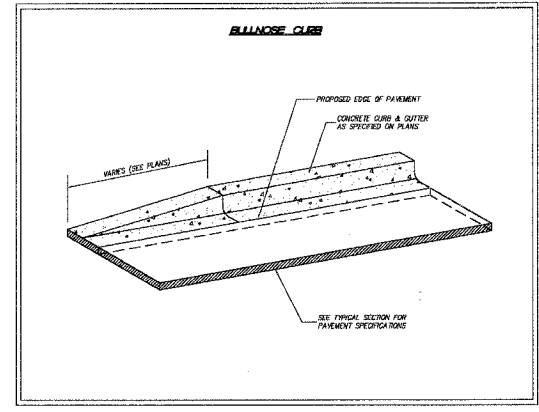
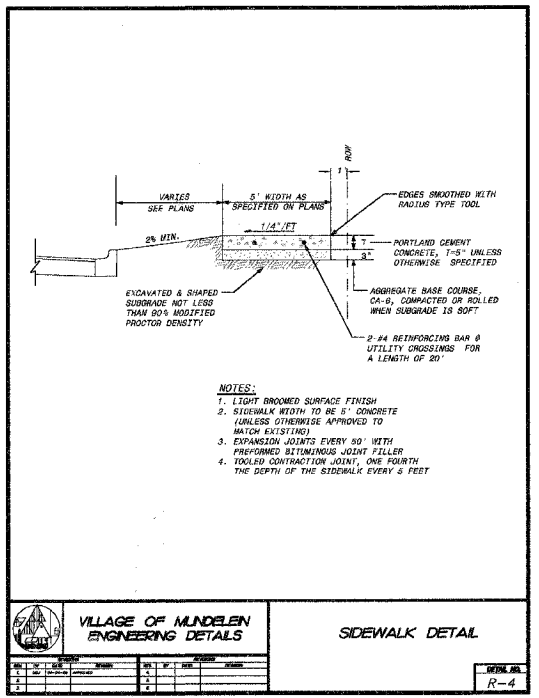
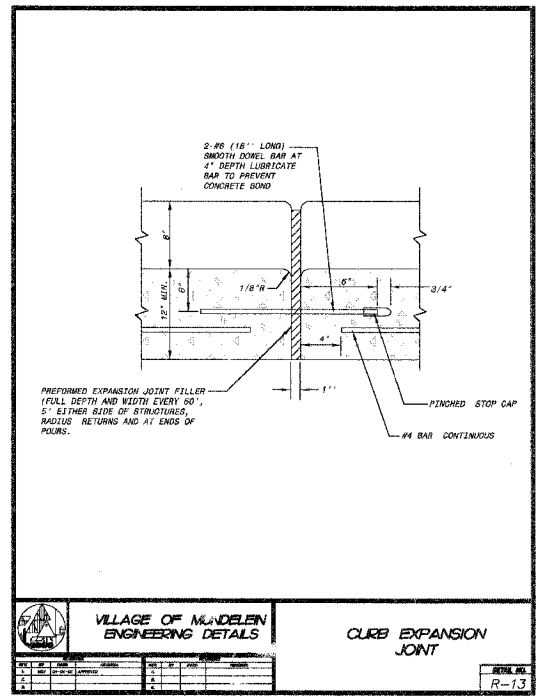
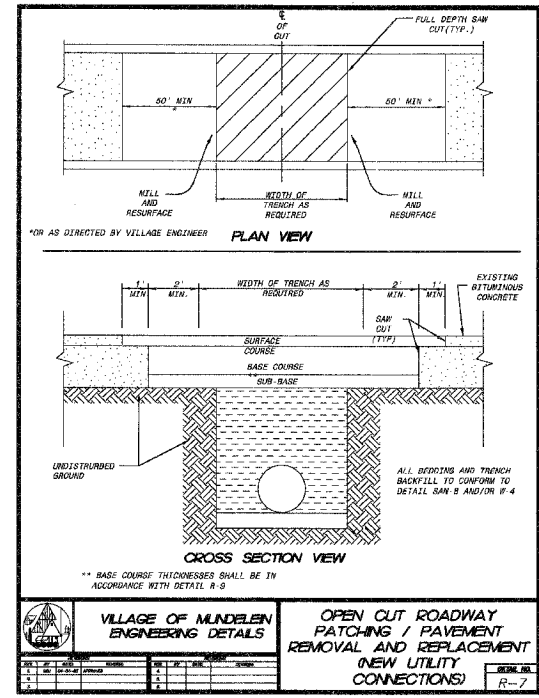
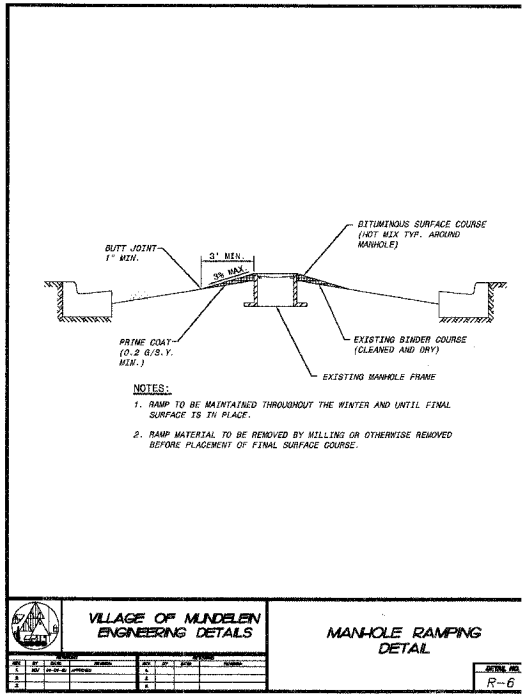


F.A.P. SECTION	COUNTY	TOTAL SHEET
336 04-00075-00-BT	LAKE	42 33
STA.	TO STA.	
FED. ROAD DIST. NO. 1 ILLINOIS HIGHWAY PROJECT		
CONTRACT NO. 83890		



SMITH ENGINEERING CONSULTANTS, INC.
 CIVIL/STRUCTURAL ENGINEERS AND SURVEYORS
 4500 PRIME PARKWAY, SUITE 201
 MUNDLEIN, ILLINOIS 60060
 PH: 815-385-1178 FAX: 815-385-1781
 www.smithengineering.com E-MAIL: sec@smithengineering.com
 *MCGLENNERY *STANTLEY *TOWNVILLE
 ILLINOIS PROFESSIONAL DESIGN FIRM # 184-000108

ILLINOIS DEPARTMENT OF TRANSPORTATION

VILLAGE OF MUNDELEIN
 CMAQ/SEAVEY BIKE PATH
 STANDARD CONSTRUCTION DETAILS

SCALE: "NTS" DRAWN BY: CFR
 DATE: 11-15-06 CHECKED BY: GFR

REVISIONS	
NO.	DATE
7.	
6.	
5.	
4.	
3.	
2.	
1.	

PLOT FILE: STANDARD
 VIEW: 33
 COMP. FILE: 050460-050470