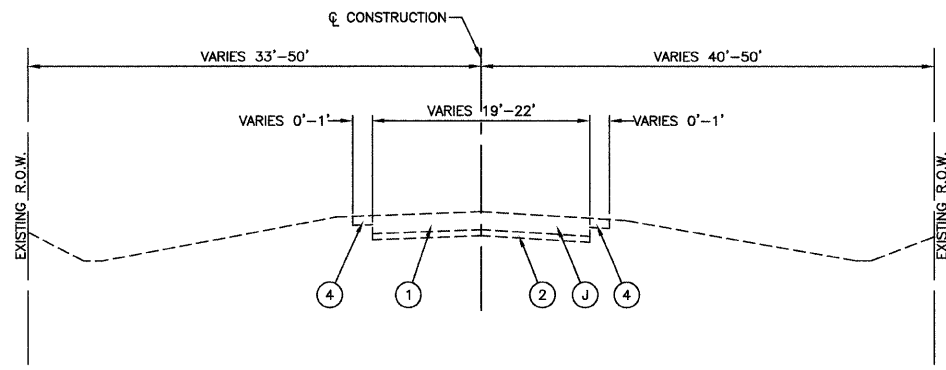
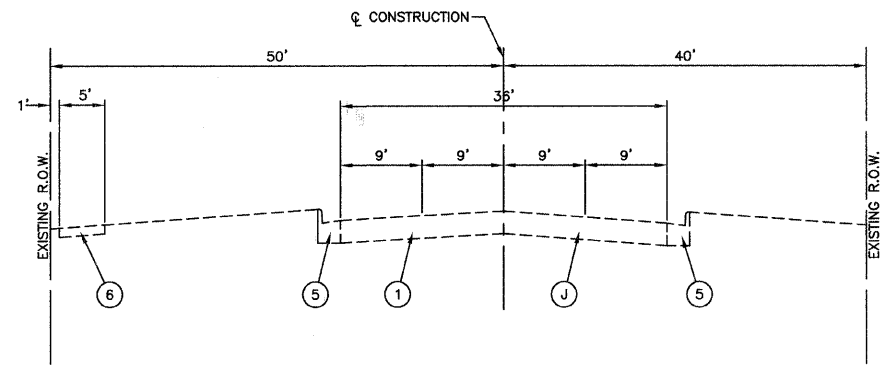


F.A.I. R.T.E.	SECTION	COUNTY	TOTAL SHEETS	SHEET NO.
0285	01-00052-00-PP	WILL	71	07
STA.		TO STA.		
FED. ROAD DIST. NO. 1		ILLINOIS	FED. AID PROJECT	

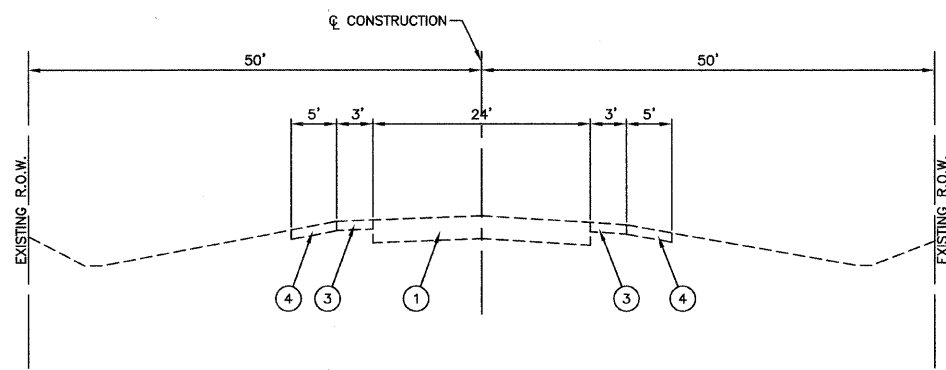
CONTRACT NO. 83956



EXISTING TYPICAL CROSS SECTION
151ST STREET- STA 11+27.52 TO STA 35+60
STA 38+90 TO STA 48+87.30



EXISTING TYPICAL CROSS SECTION
151ST STREET- STA 35+60 TO STA 38+90



EXISTING TYPICAL CROSS SECTION
IL RTE 171 (ARCHER AVE.) - STA 115+00.64 TO STA 130+91.64

LEGEND

- | | |
|---|--|
| (A) HOT-MIX ASPHALT PAVEMENT (FULL DEPTH), 9" | (1) EXISTING HOT-MIX ASPHALT PAVEMENT - 5-3/4" TO 12" |
| (B) HOT-MIX ASPHALT SURFACE COURSE, MIX "D", N70 (IL 9.5mm), 2" | (2) EXISTING SAND AND GRAVEL BASE COURSE - 4" TO 8" |
| (C) HOT-MIX ASPHALT BINDER COURSE, IL-19.0, N70, 10" | (3) EXISTING HOT-MIX ASPHALT SHOULDER |
| (D) HOT-MIX ASPHALT SURFACE COURSE, MIX "C", N50 (IL 9.5MM), 2" | (4) EXISTING AGGREGATE SHOULDER |
| (E) HOT-MIX ASPHALT BASE COURSE (HMA BINDER IL 19MM): PE-6", CE-8" | (5) EXISTING COMBINATION CONCRETE CURB & GUTTER, TYPE B-6.12 |
| (F) AGGREGATE SUBGRADE, 12" | (6) EXISTING P.C.C. SIDEWALK |
| (G) AGGREGATE SHOULDERS, TYPE B-4" | |
| (H) COMBINATION CONCRETE CURB & GUTTER, TYPE B-6.24 | |
| (I) SODDING, SALT TOLERANT; TOPSOIL, 4", WITH FERTILIZER NUTRIENTS
OR
SEEDING, CLASS 2A WITH FERTILIZER NUTRIENTS AND EROSION CONTROL BLANKET | |
| (J) PAVEMENT REMOVAL (PAID FOR AS EARTH EXCAVATION) | |

REVISIONS	
NAME	DATE

ILLINOIS DEPARTMENT OF TRANSPORTATION

**151ST STREET IMPROVEMENT
TYPICAL CROSS SECTIONS**

SCALE: VERT. N/A
HORIZ. N/A
DATE: 11-21-07

DRAWN BY: RG
CHECKED BY: JMN