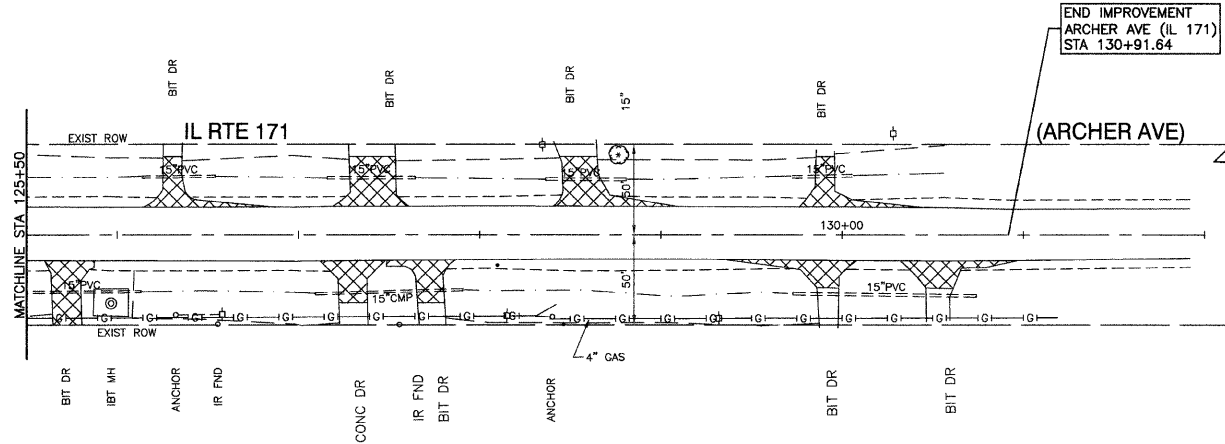
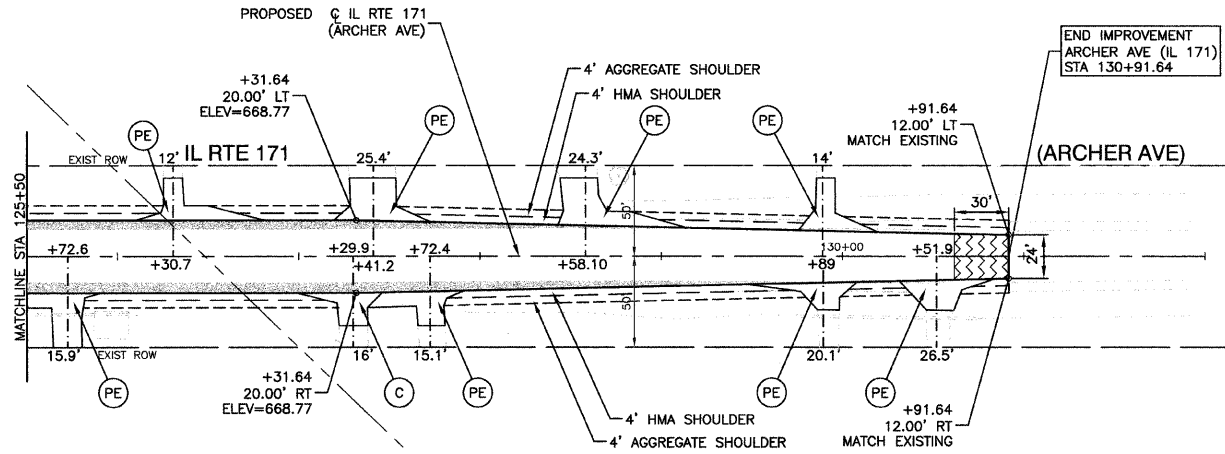


F.A.U. RTE	SECTION	COUNTY	TOTAL SHEETS	SHEET NO
0285	01-00052-00-FP	WILL	71	12
STA. 125+50		TO STA. END IMPROVEMENT		
FED. ROAD DIST. NO. 1	ILLINOIS	FED. AID PROJECT		

CONTRACT NO. 83956



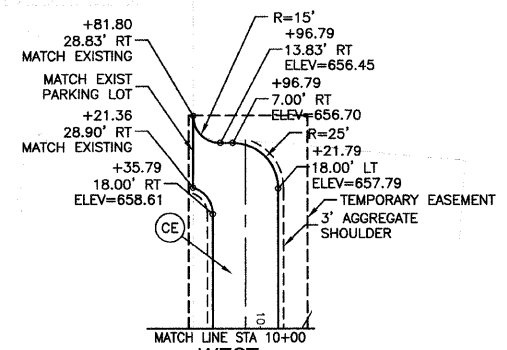
EXISTING CONDITION



PROPOSED IMPROVEMENT



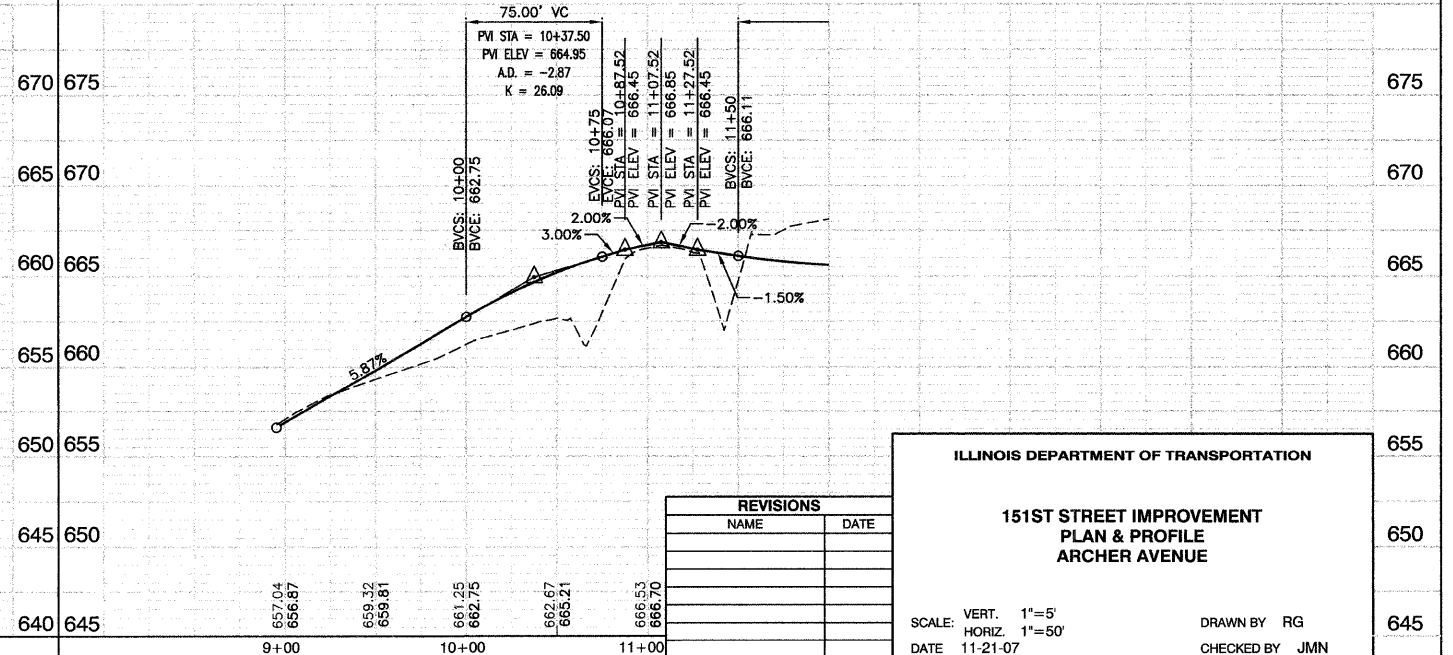
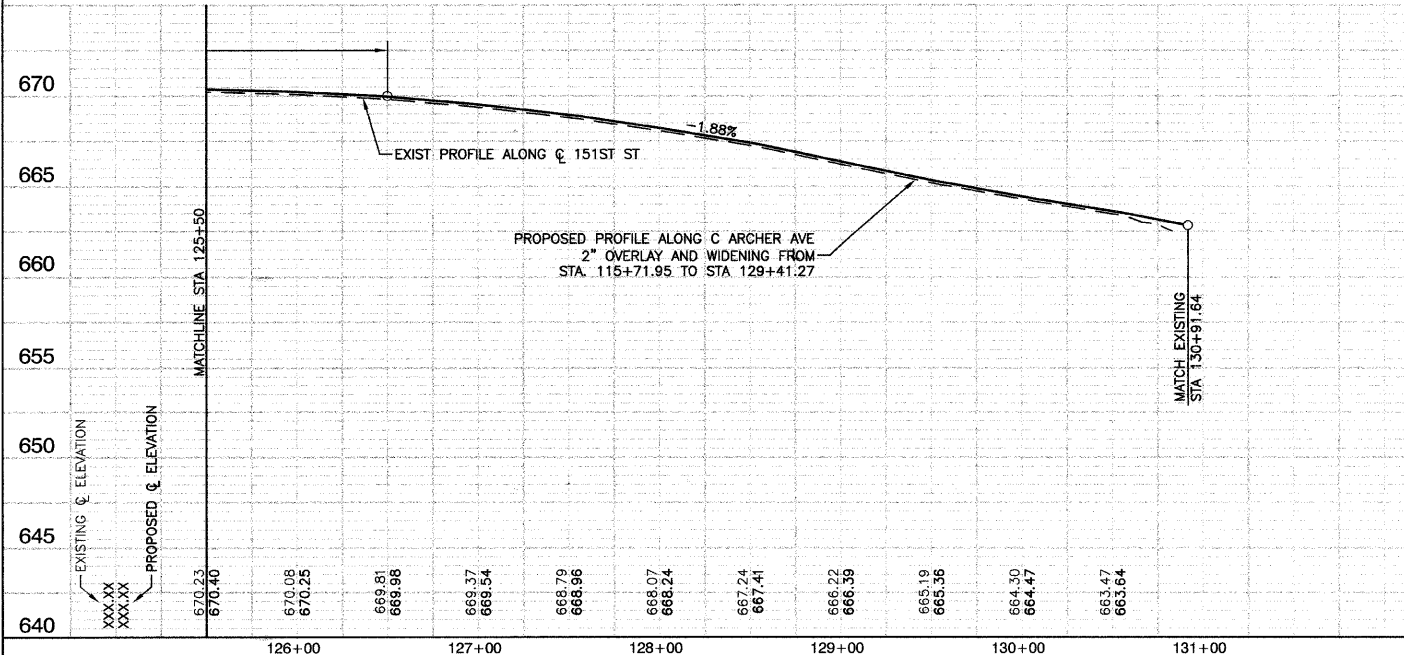
WEST EXTENSION EXISTING CONDITION



WEST EXTENSION PROPOSED IMPROVEMENT

LEGEND

- CURB REMOVAL
- PAVEMENT REMOVAL (PAID FOR AS EARTH EXCAVATION)
- DRIVEWAY PAVEMENT REMOVAL
- HMA SURFACE REMOVAL - BUTT JOINT
- PAVEMENT WIDENING
 - HMA SURFACE COURSE, MIX "D", N70, 2"
 - HMA BINDER COURSE, IL-19.0, N70, 10"
 - AGGREGATE SUBGRADE, 12"
- TREE REMOVAL
- P.C.C. DRIVEWAY, 7"
- HMA SURFACE COURSE, MIX "C", N50, 2"
- HMA BASE COURSE (HMA BINDER IL-19.0), 8"
- HMA SURFACE COURSE, MIX "C", N50, 2"
- HMA BASE COURSE (HMA BINDER IL-19.0), 6"
- C & G TYPE B-6.24
- 10' TRANSITION FROM C&G TYPE B-6.24 TO EXISTING CURB & GUTTER
- P.C.C. SIDEWALK, 5" (7" AT DRIVEWAYS)



REVISIONS	
NAME	DATE

ILLINOIS DEPARTMENT OF TRANSPORTATION

**151ST STREET IMPROVEMENT
PLAN & PROFILE
ARCHER AVENUE**

SCALE: VERT. 1"=5'
HORIZ. 1"=50'

DATE 11-21-07

DRAWN BY RG
CHECKED BY JMN