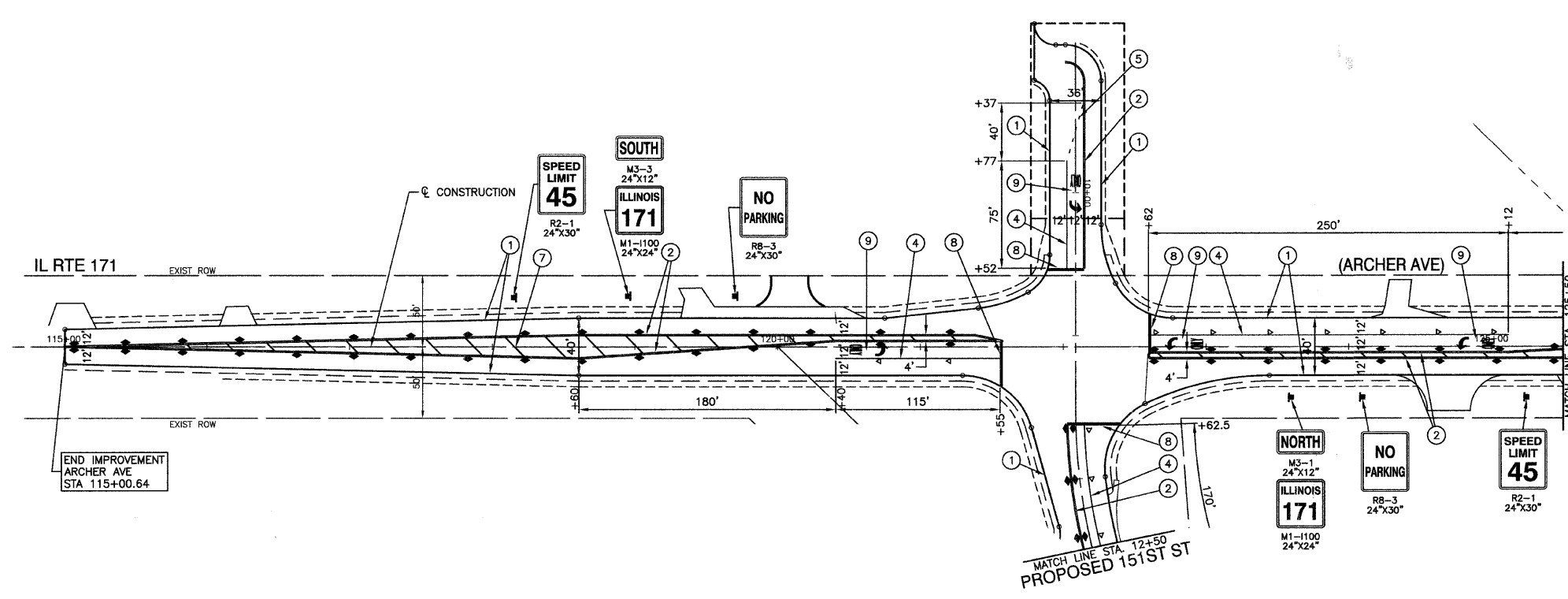
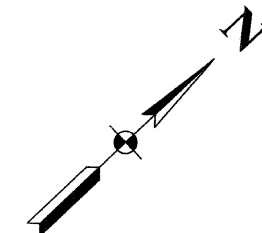


FAU. RTE	SECTION	COUNTY	TOTAL SHEETS	SHEET NO
0285	01-00052-00-FP	WILL	71	31
STA.	TO STA.			
FED. ROAD DIST. NO. 1	ILLINOIS	FED. AID PROJECT		

CONTRACT NO. 83956



PAVEMENT MARKING LEGEND

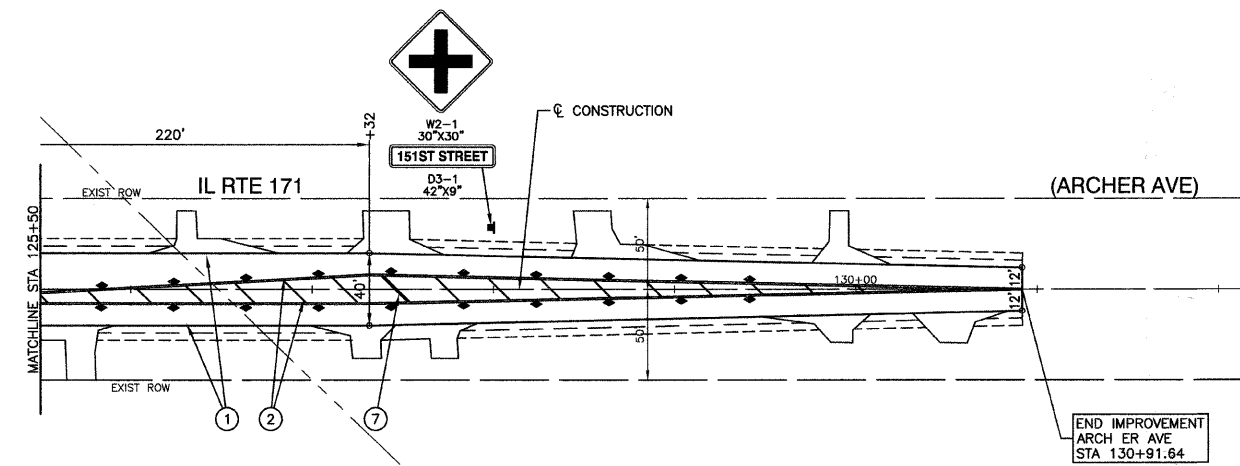
- ① THERMOPLASTIC PAVEMENT MARKING LINE, 4", WHITE LINE
 - ② THERMOPLASTIC PAVEMENT MARKING LINE, 4", DOUBLE YELLOW CENTER LINE (11" C-C)
 - ③ THERMOPLASTIC PAVEMENT MARKING LINE, 4", YELLOW CENTER LINE WITH YELLOW SKIP-DASH (5 1/2" C-C), (10' DASH, 30' SPACE)
 - ④ THERMOPLASTIC PAVEMENT MARKING LINE, 6", WHITE LANE LINE
 - ⑤ THERMOPLASTIC PAVEMENT MARKING LINE, 6", 6" WHITE SKIP-DASH (2' DASH, 6' SPACE)
 - ⑦ THERMOPLASTIC PAVEMENT MARKING LINE, 12", 12" YELLOW DIAGONAL (20" C-C)
 - ⑧ THERMOPLASTIC PAVEMENT MARKING LINE, 24", WHITE STOP BAR
 - ⑨ THERMOPLASTIC PAVEMENT MARKING-LETTERS & SYMBOLS
- ◀ RAISED REFLECTIVE PAVEMENT MARKER ONE-WAY CRYSTAL MARKER 40' C/C UNLESS OTHERWISE NOTED
 - ◀ RAISED REFLECTIVE PAVEMENT MARKER ONE-WAY AMBER MARKER 40' C/C UNLESS OTHERWISE NOTED
 - ◀ RAISED REFLECTIVE PAVEMENT MARKER TWO-WAY AMBER MARKER 40' C/C UNLESS OTHERWISE NOTED

NOTES

1. ALL PAVEMENT MARKING SHALL BE THERMOPLASTIC.
2. ANY EXISTING SIGNS THAT ARE NOT TO BE RELOCATED SHALL BE STOCKPILED IN THE RIGHT-OF-WAY AS DIRECTED BY THE ENGINEER AND PICKED UP BY THE VILLAGE OF LOCKPORT.

PAVEMENT MARKING SCHEDULE

THERMOPLASTIC PAVEMENT MARKING - LETTERS & SYMBOLS	-	146 SQ FT
THERMOPLASTIC PAVEMENT MARKING - LINE 4"	-	9700 FT
THERMOPLASTIC PAVEMENT MARKING - LINE 6"	-	540 FT
THERMOPLASTIC PAVEMENT MARKING - LINE 12"	-	102 FT
THERMOPLASTIC PAVEMENT MARKING - LINE 24"	-	123 FT



REVISIONS	
NAME	DATE

ILLINOIS DEPARTMENT OF TRANSPORTATION

**151ST STREET IMPROVEMENT
PAVEMENT MARKING PLAN
ARCHER AVENUE**

SCALE: VERT. N/A
HORIZ. 1"=50'

DATE: 11-21-07

DRAWN BY: RG
CHECKED BY: JMN