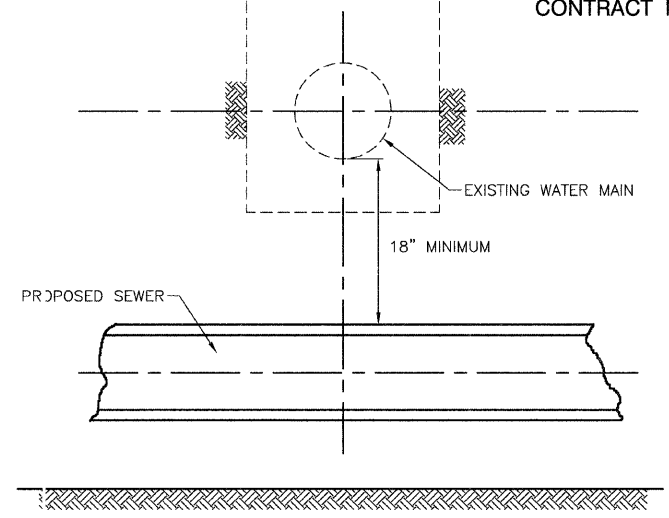


FAU. RTE.	SECTION	COUNTY	TOTAL SHEETS	SHEET NO.
0285	01-00052-00-FP	WILL	71	36
STA.	TO STA.			
FED. ROAD DIST. NO. 1	ILLINOIS	FED. AID PROJECT		

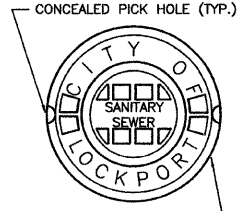
CONTRACT NO. 83956



GUIDELINES

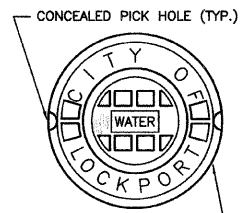
1. PROVIDE ADEQUATE SUPPORT FOR EXISTING WATER MAIN TO PREVENT DAMAGE DUE TO SETTLEMENT OF SEWER TRENCH.
2. MAINTAIN 18" MINIMUM VERTICAL SEPARATION FOR 10 FEET HORIZONTALLY

**WATER AND SEWER SEPARATION REQUIREMENTS
PROPOSED SEWER LINE BELOW EXISTING WATER MAIN
WITH 18" MINIMUM SEPARATION**



SANITARY SEWER
NEENAH R-1710 W/WATERTIGHT LID
EAST JORDAN 1050Z1 W/WATERTIGHT LID

WATERMAIN
NEENAH R-1710 W/WATERTIGHT LID
EAST JORDAN 1050Z1 W/WATERTIGHT LID



STORM SEWER
PAVEMENT - OPEN LID
NEENAH R-1710 W/TYP D GRATE
EAST JORDAN 1050Z1 W/TYP M1 GRATE

GRASSED AREA - OPEN LID
NEENAH R-1710 W/TYP B GRATE
NEENAH R-4340-B
EAST JORDAN 1050Z1 W/TYP N GRATE
EAST JORDAN 6527

PAVEMENT - CLOSED LID
GRASSED AREA - CLOSED LID
NEENAH R-1710 W/SOLID LID
EAST JORDAN 1050Z1 W/TYP A LID

CURB & GUTTER - TYPE B6.12
NEENAH R-3278-A
EAST JORDAN 7221 W/T1 BACK & M1 GRATE

CURB & GUTTER - TYPE M3.12
NEENAH R-3501-E2
EAST JORDAN 7250

CURB & GUTTER - DEPRESSED
NEENAH R-3525-L
NEENAH R-3205
EAST JORDAN 7210 W/TYP M3 GRATE
EAST JORDAN 7464

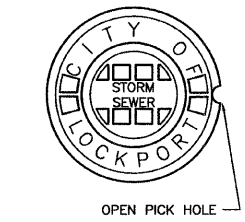


EXHIBIT #1001
CITY OF LOCKPORT
FRAME & LID
DETAIL

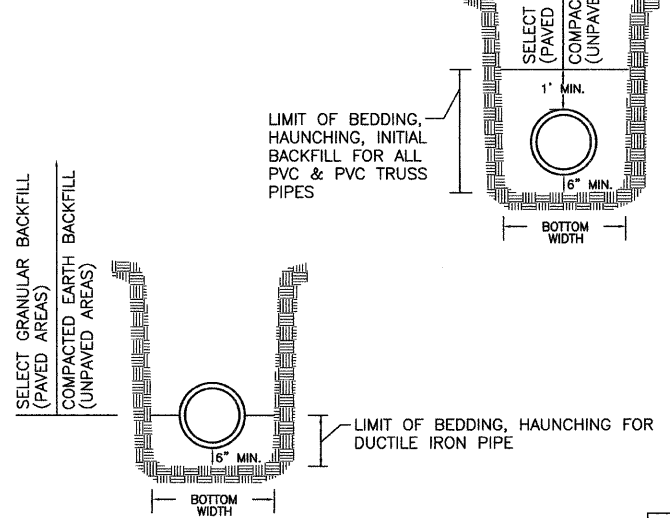
ADOPTED: FEBRUARY 2002

REVISIONS

MATERIALS
BEDDING, HAUNCHING, INITIAL BACKFILL
IDOT GRADATION CA-7 OR CA-11

SELECT GRANULAR BACKFILL
IDOT GRADATION CA-6, CA-7 OR CA-11

NO RECYCLED MATERIAL SUCH AS
CRUSHED CONCRETE, ASPHALT MILLINGS, BLAST
FURNACE SLAG, ETC. PERMITTED FOR USE AS
BEDDING, HAUNCHING, BACKFILL

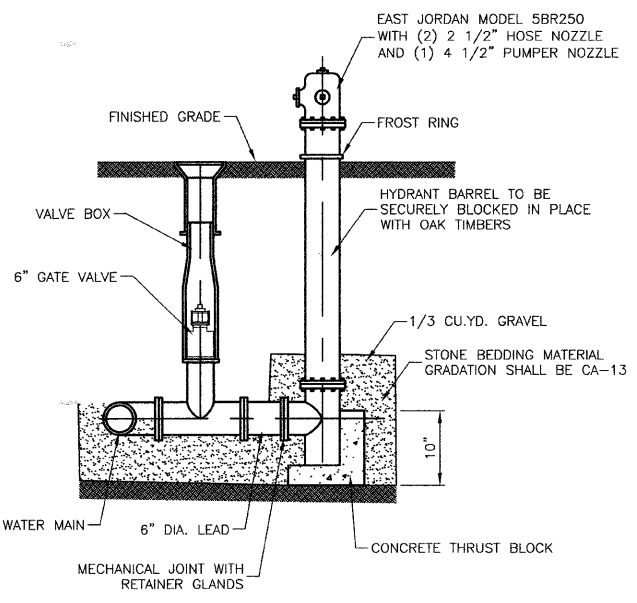


- NOTES:**
- PAVED AREA SHALL BE DEFINED AS ANY AREA WHERE THE LIMITS OF THE TRENCH FALL WITHIN 2' OF DRIVEWAYS, SIDEWALK, CURB & GUTTER, ROADWAY PAVEMENT, ETC.
 - MINIMUM BOTTOM WIDTH = O.D. + 2'
 - MAXIMUM BOTTOM WIDTH = O.D. + 3'

EXHIBIT #1006
CITY OF LOCKPORT
SANITARY SEWER
TRENCH

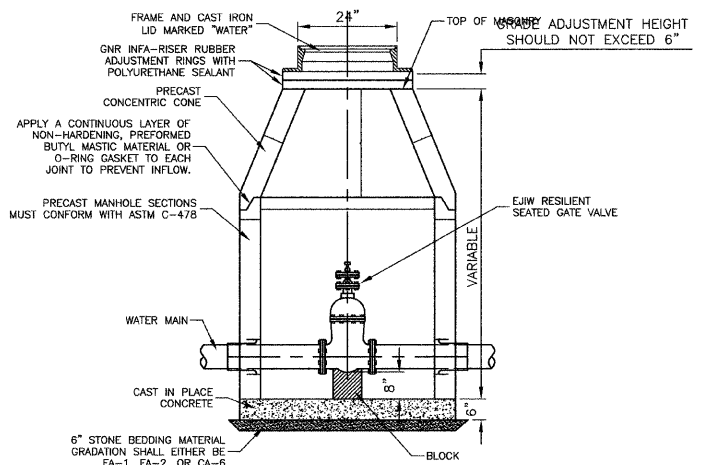
ADOPTED: NOV. 20, 2000

REVISIONS



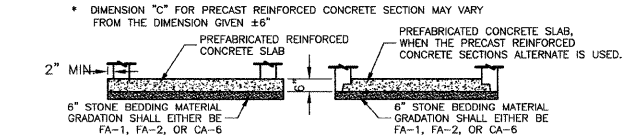
FIRE HYDRANT INSTALLATION

- NOTES:**
1. HYDRANTS SHALL BE INSTALLED FACING TOWARD THE CURB. NO HYDRANT SHALL BE INSTALLED WITHIN 48" OF ANY OBSTRUCTION NOR SHALL ANY OBSTRUCTION BE PLACED WITHIN 48" OF A HYDRANT.
 2. ALL VALVES SHALL OPEN COUNTER CLOCKWISE AND CLOSE CLOCKWISE WITH NON-RISING STEM.
 3. HYDRANT DRAIN HOLE SHALL BE FREE OF CONCRETE.



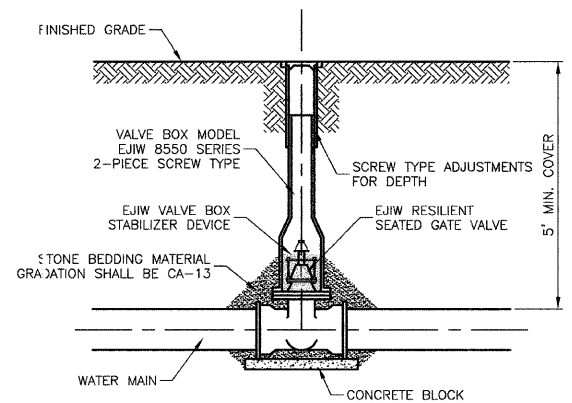
ALTERNATE MATERIALS FOR WALLS

	D	C	T
PRECAST REINFORCED CONCRETE SECTION	4'-0"	2'-6"	4'-0"
CONCRETE SECTION	5'-0"	3'-9"	5'-0"
CAST-IN-PLACE CONCRETE	4'-0"	2'-6"	6'-0"
	5'-0"	3'-9"	6'-0"



- NOTES:**
1. CONCENTRIC CONE REQUIRED (VALVE TO ALIGN W/ CENTER OF FRAME OPENING).
 2. USE 4'-0" FOR WATER MAIN SIZES 8" AND UNDER. 5'-0" FOR SIZES 10" AND ABOVE.
 3. VALVE VAULT TO CONFORM TO ASTM C-478.
 4. ALL VALVES SHALL BE EAST JORDAN IRON WORKS RESILIENT SEATED GATE VALVES.
 5. ALL VALVES SHALL OPEN COUNTER CLOCKWISE AND CLOSE CLOCKWISE WITH NON-RISING STEM.
 6. PROVIDE CA-6 AGGREGATE BACKFILL MATERIAL AROUND VALVE TO SUB-GRADE ELEVATION; IN PAVED AREAS.

VALVE IN VAULT DETAIL



- NOTE:**
1. ALL VALVES SHALL OPEN COUNTER CLOCKWISE AND CLOSE CLOCKWISE WITH NON-RISING STEM.

TYPICAL VALVE BOX INSTALLATION

REVISIONS	
NAME	DATE

ILLINOIS DEPARTMENT OF TRANSPORTATION

**151ST STREET IMPROVEMENT
CONSTRUCTION DETAILS**

SCALE: VERT. N/A
HORIZ. N/A
DATE: 11-21-07
DRAWN BY: RG
CHECKED BY: JMN