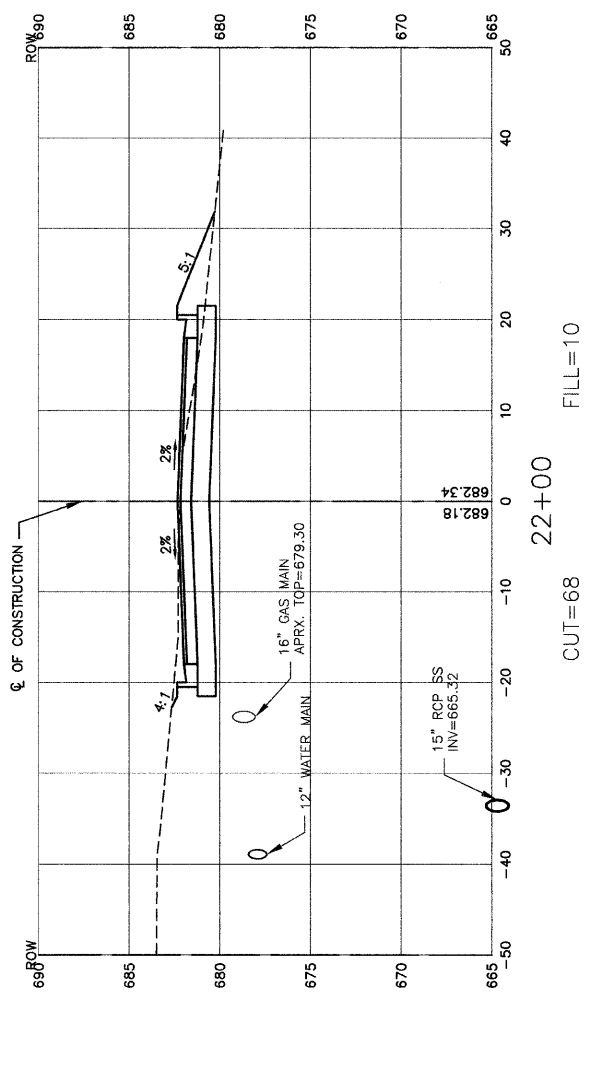
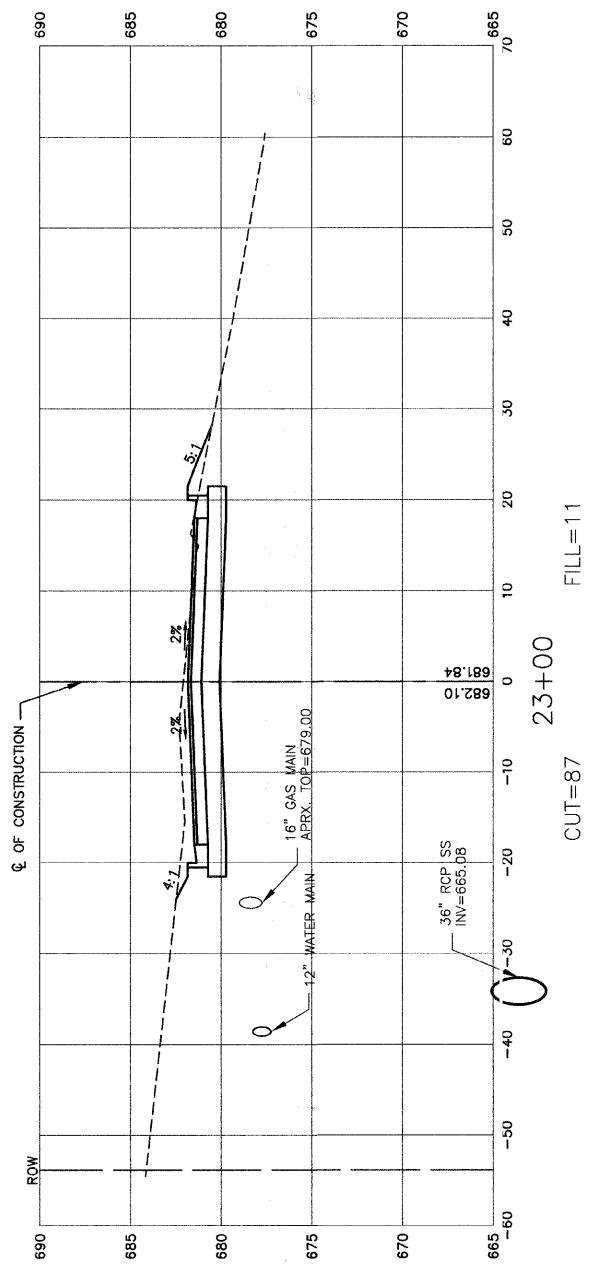
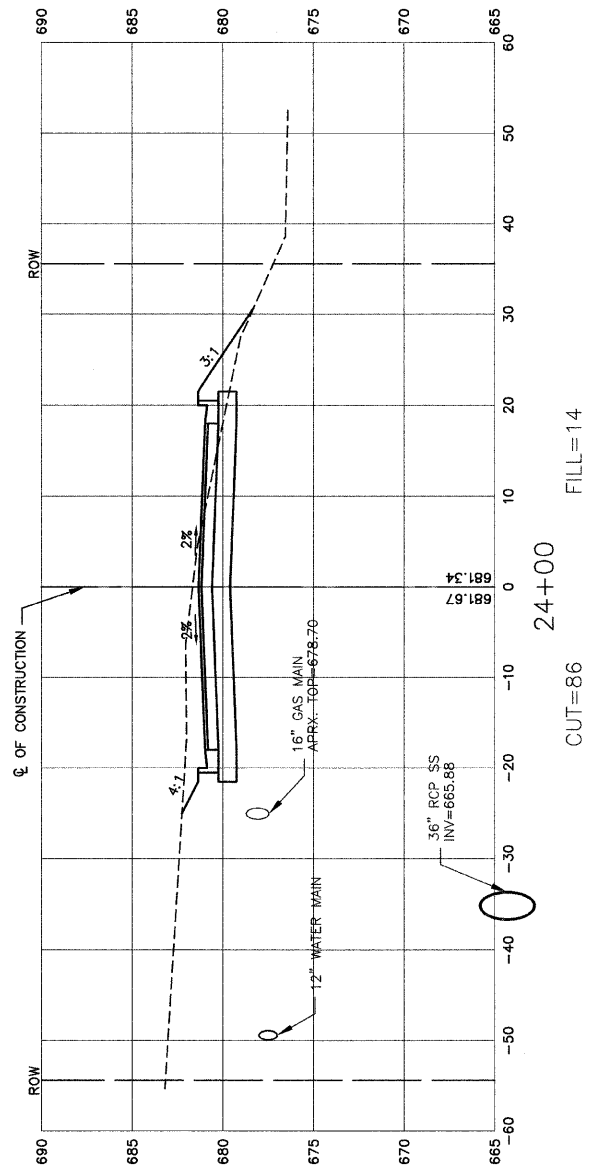
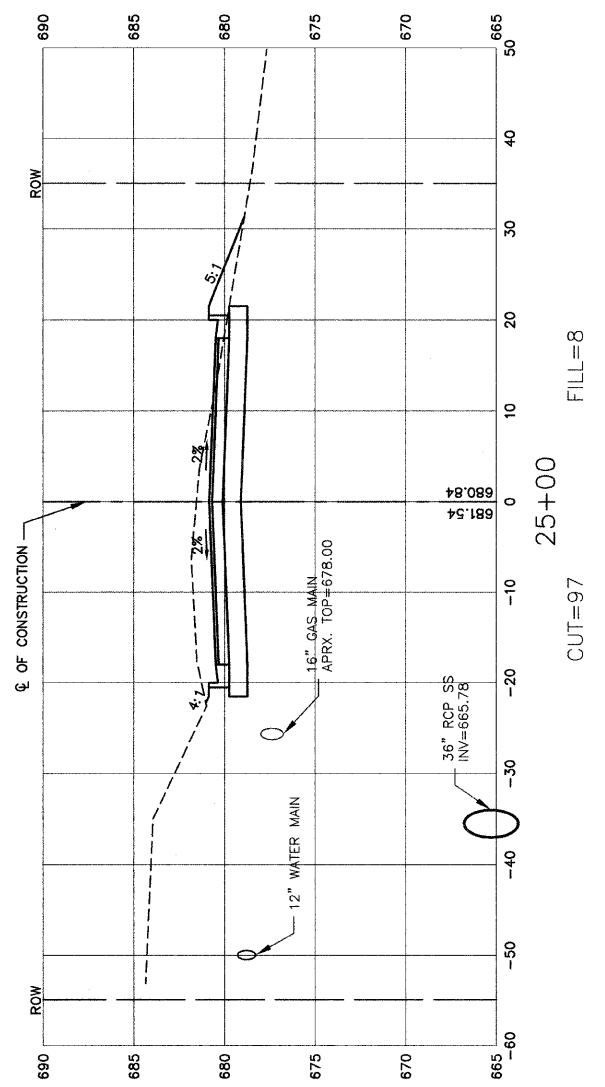


FAU. RFE.	SECTION	COUNTY	TOTAL SHEETS	SHEET NO.
0285	01-00052-00-FP	WILL	71	50
STA. 22+02.52		TO STA. 25+00		
FED. ROAD DIST. NO. 1	ILLINOIS	FED. AID PROJECT		

CONTRACT NO. 83956



REVISIONS	
NAME	DATE

ILLINOIS DEPARTMENT OF TRANSPORTATION

151ST STREET IMPROVEMENT  
CROSS SECTIONS  
151ST STREET

SCALE: VERT. 1"=5'  
HORIZ. 1"=10'  
DATE 11-21-07

DRAWN BY RG/DC  
CHECKED BY JMN

ROBINSON ENGINEERING, LTD.  
7700 SOUTH PARK AVENUE, SOUTH HOLLAND, ILLINOIS 60488  
(708) 381-6700 FAX (708) 381-3828  
ILLINOIS DESIGN FIRM REGISTRATION NO. 184601128

01179\_02-XSCT-01