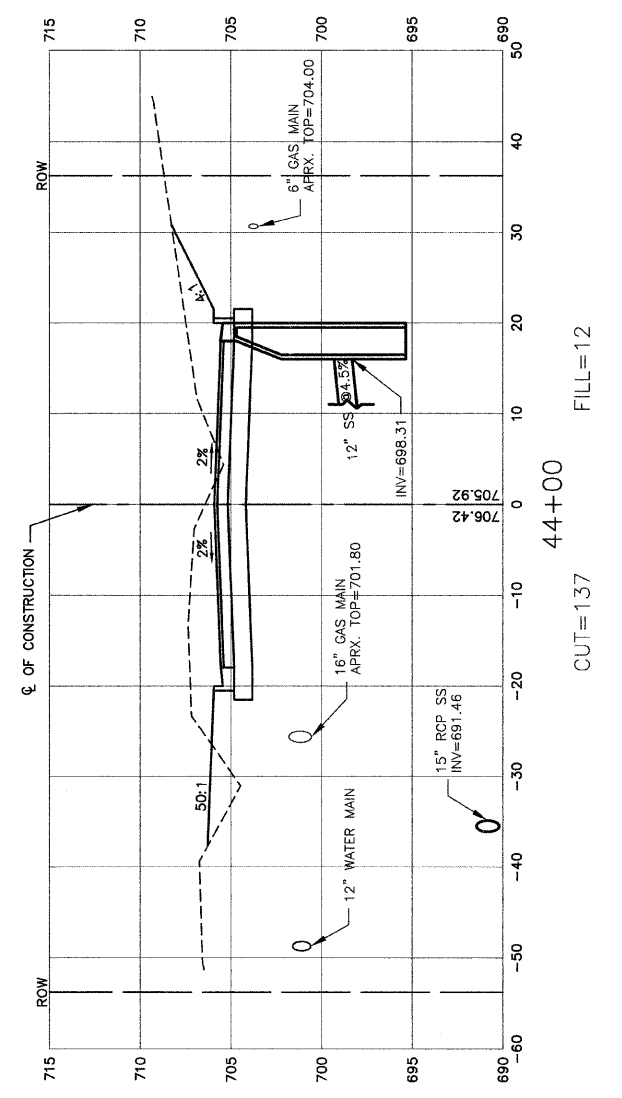
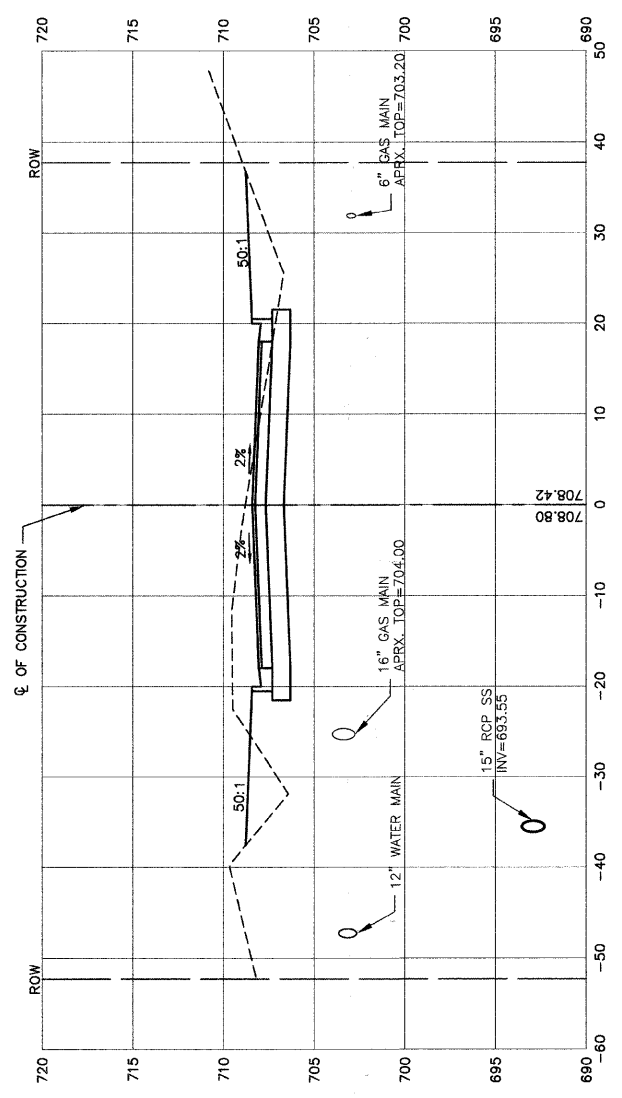
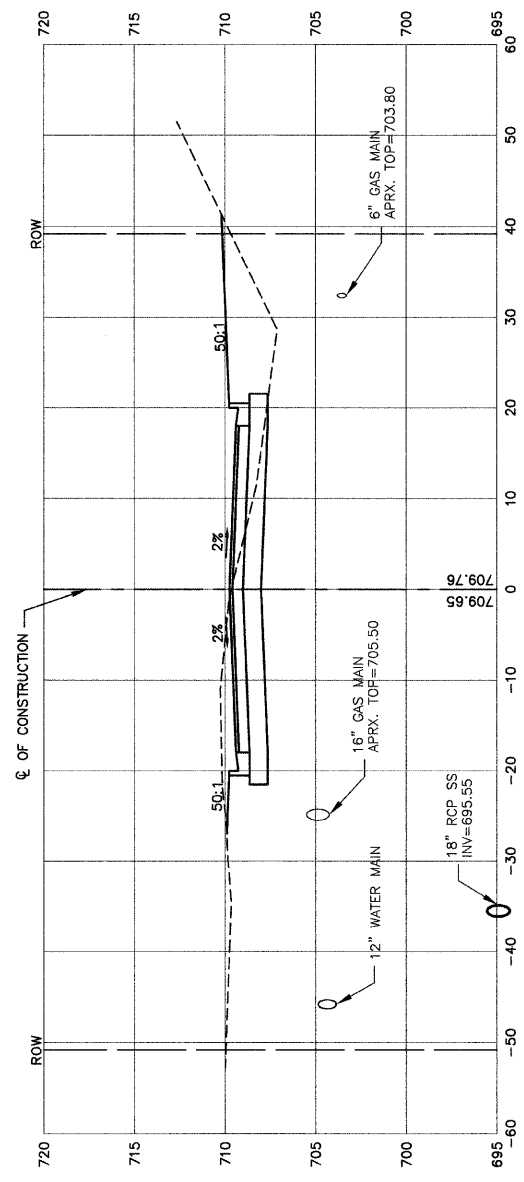
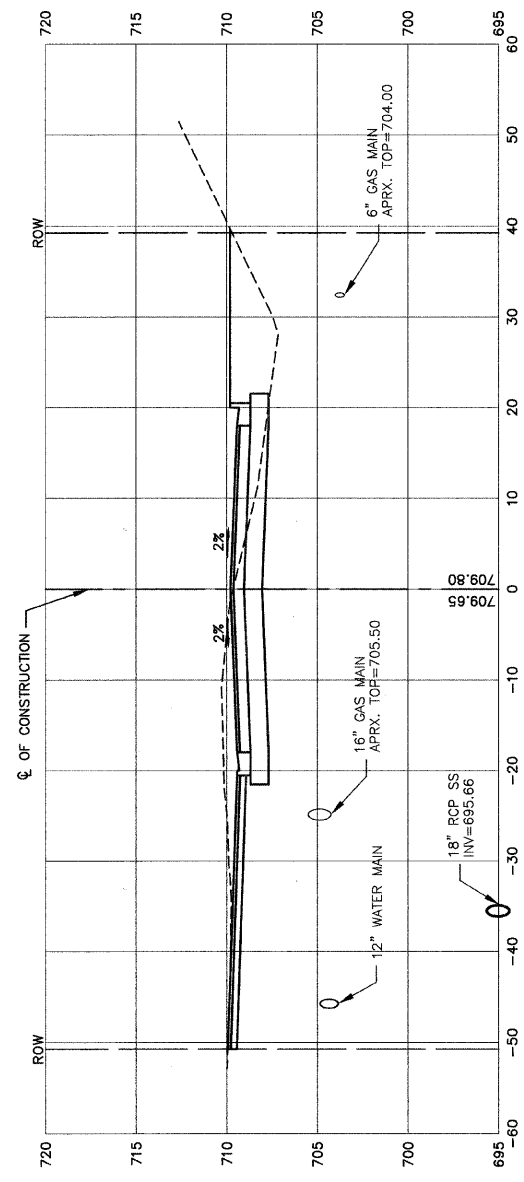


F.A.I. RTE.	SECTION	COUNTY	TOTAL SHEETS	SHEET NO.
0285	01-00052-00-FP	WILL	71	57
STA. 44+15.40		TO STA. 47+00		
FED. ROAD DIST. NO. 1	ILLINOIS	FED. AID PROJECT		

CONTRACT NO. 83956



REVISIONS	
NAME	DATE

ILLINOIS DEPARTMENT OF TRANSPORTATION

**151ST STREET IMPROVEMENT  
CROSS SECTIONS  
151ST STREET**

SCALE: VERT. 1"=5'  
HORIZ. 1"=10'

DATE 11-21-07

DRAWN BY RG/DC  
CHECKED BY JMN