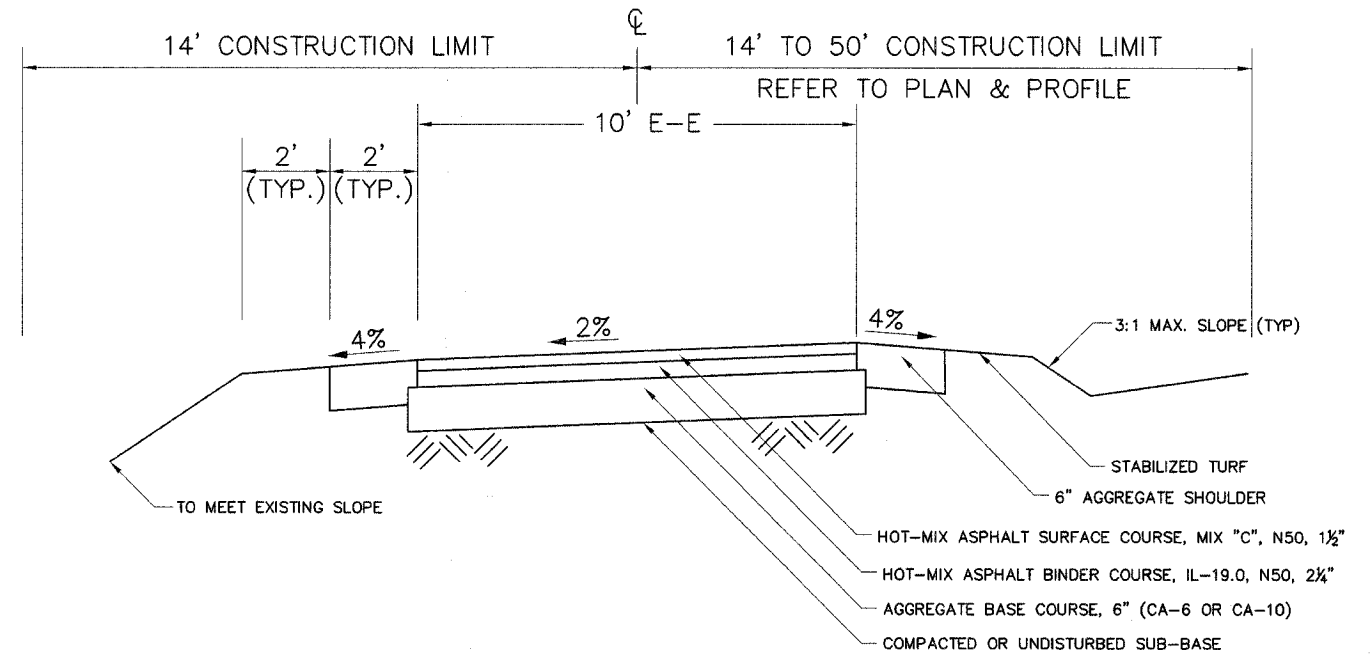
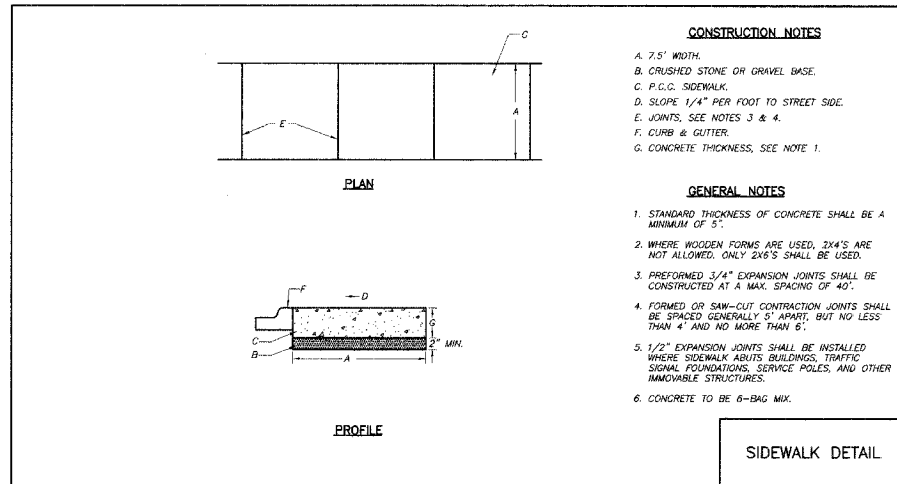


FAU RTE.	SECTION	COUNTY	TOTAL SHEETS	SHEET NO.
	07-00042-00-BT	COOK	8	4
F.H.W.A. REG.	ILLINOIS	PROJECT:		
CONTRACT NO. 83970				



**PROPOSED TYPICAL SECTION - BIKE PATH**

STA. 0+52 TO STA. 7+72  
 STA. 10+00 TO STA. 11+62.61  
 NTS

HOT-MIX MIXTURE REQUIREMENTS			
MIXTURE TYPE	AC TYPE	VOIDS	MAX RAP%
<b>BIKE PATH PAVEMENT</b>			
HOT-MIX ASPHALT SURFACE COURSE, MIX "C", N50, 1 1/2"	PG 64-22	4% @ 50 GYR	15
HOT-MIX ASPHALT BINDER COURSE, IL-19.0, N50, 2 1/4"	PG 64-22*	4% @ 50 GYR	25

The Unit Weight used to calculate all Hot-Mix Asphalt Surface Mixture Quantities is 112 lbs/sq yd/in

\* When RAP exceeds 20%, the new asphalt binder in the mix shall be PG 58-22.

**MORRIS ENGINEERING, INC.**  
 5100 S. LINCOLN SUITE 100 LISLE, ILLINOIS 60532  
 PHONE: (630)271-0770 • WEBSITE: ECIVIL.COM

LOCATION: H:\06-PH\3002\PLANS-ENG\REV-3\dwg\06-PH-3002-SHEET-SITE.dwg  
 DRAWN BY : CJS DESIGN BY: RAC CHECKED BY: JJV  
 JOB NO. : 06-PH-3002 SCALE: NTS

**HARLEM AVENUE BIKE PATH EXTENSION**

**TYPICAL SECTION**

DATE	REVISIONS	BY	SHEET
8-28-07	PER IDOT LETTER OF 7-31-07	RAC	<b>4</b>
10-01-07	PER IDOT LETTER OF 9-27-07	RAC	
10-19-07	PER IDOT BLR	RAC	

OF 8 SHEETS

PLOT DATE: 08/22/07  
 PLOT TIME: 10:58:30 AM  
 PLOT SCALE: 1/8" = 1'-0"  
 PLOT SHEET: 01