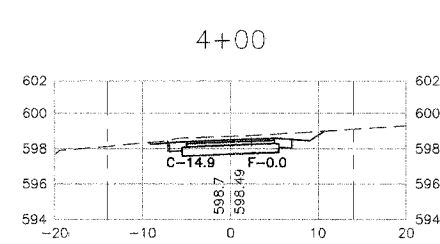
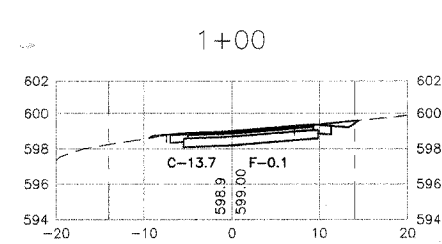
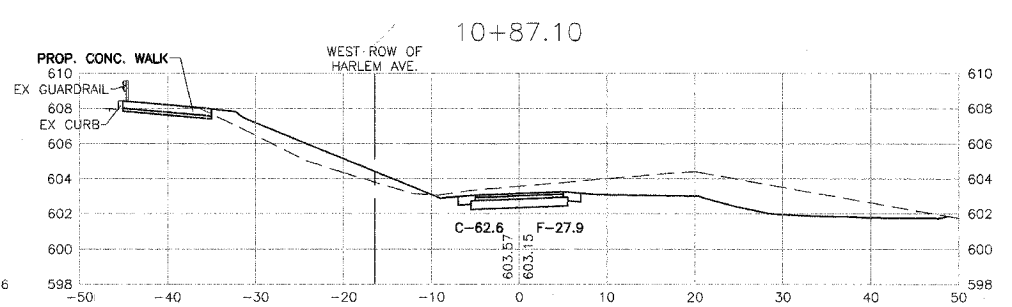
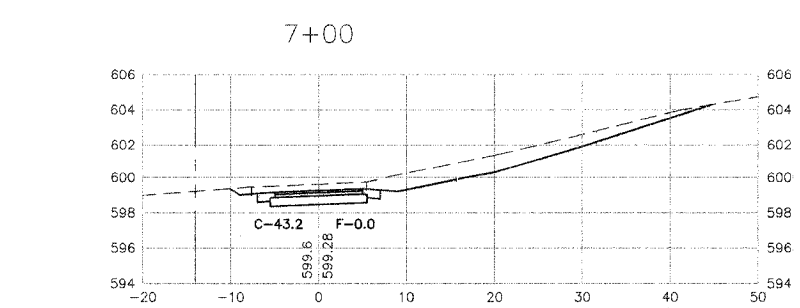
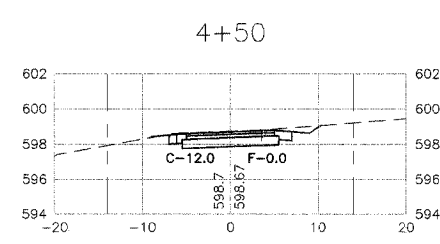
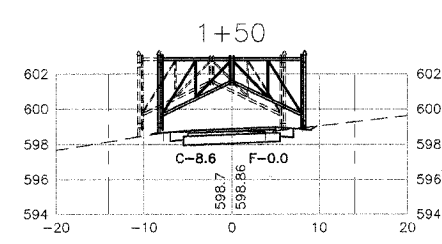
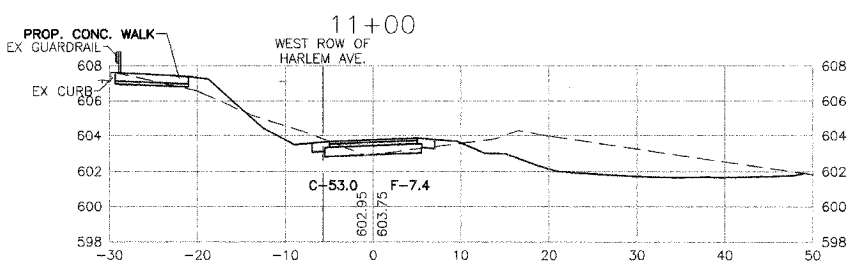
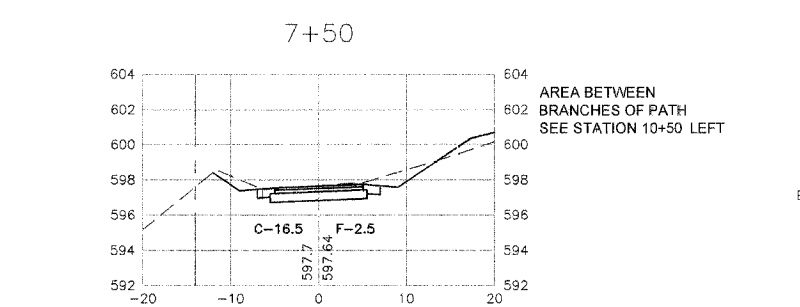
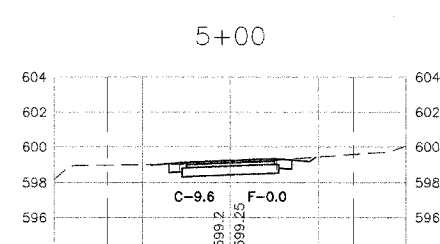
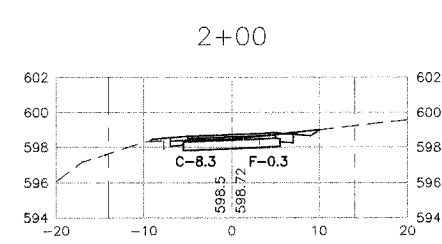
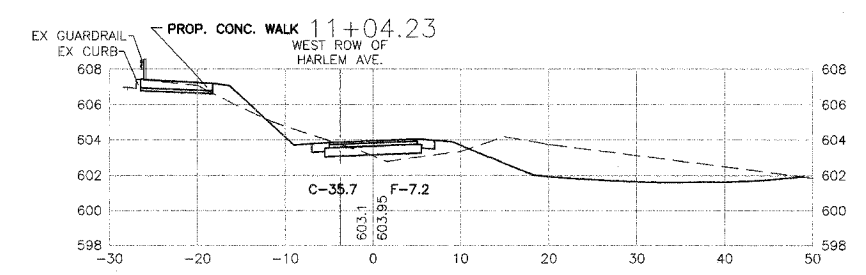
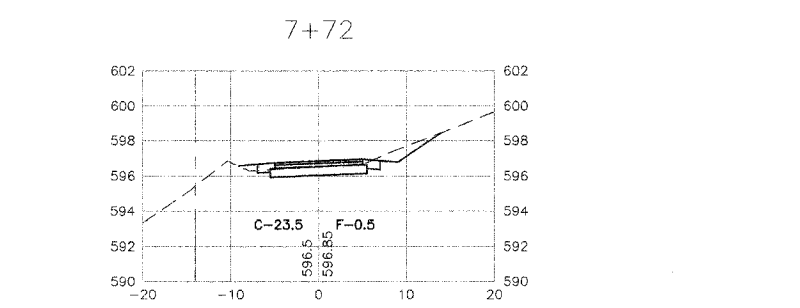
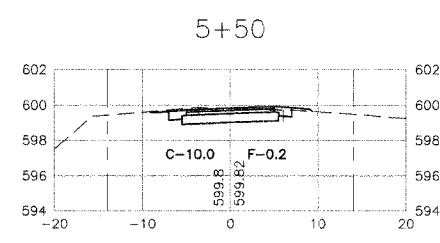
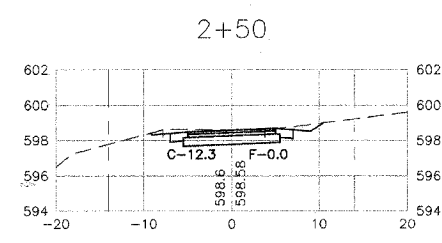
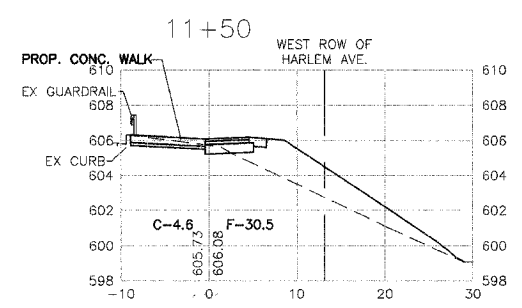
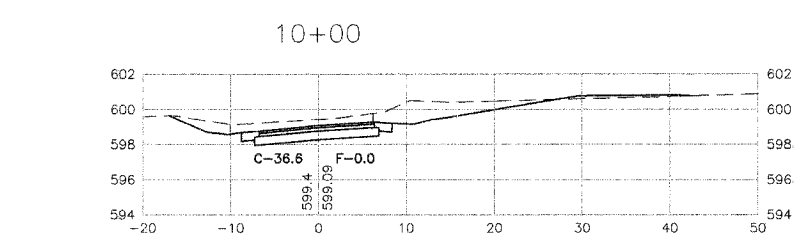
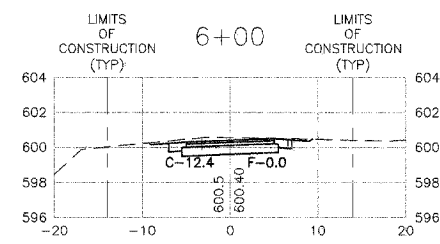
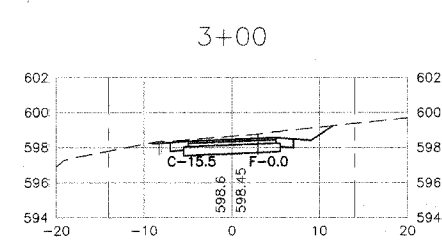
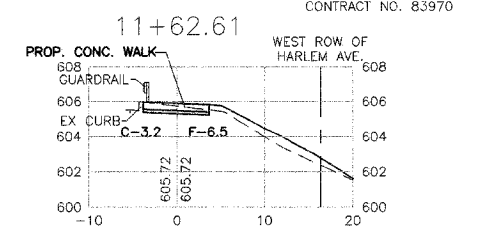
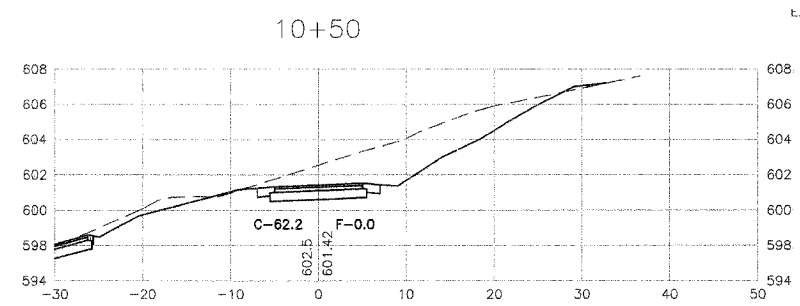
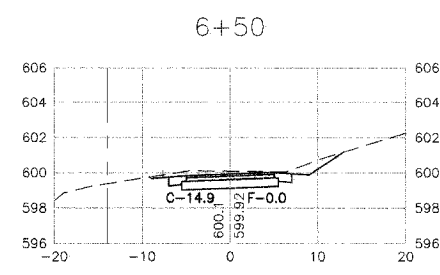
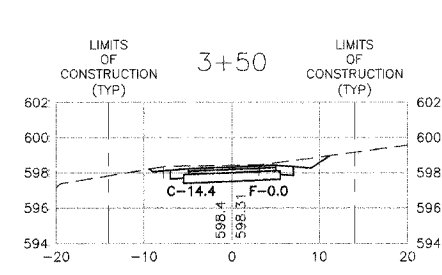


FAU RTE.	SECTION	COUNTY	TOTAL SHEETS	SHEET NO.
	07-00042-00-BT	COOK	8	8
F.H.W.A. REG.	ILLINOIS	PROJECT:		
CONTRACT NO. 83970				



AREA BETWEEN BRANCHES OF PATH SEE STATION 10+50 LEFT

**MORRIS ENGINEERING, INC.**

5100 S. LINCOLN SUITE 100 LISLE, ILLINOIS 60532  
 PHONE: (630)271-0770 • WEBSITE: ECIVIL.COM  
 LOCATION: H:\06-PH\3002\PLANS-ENG\REV-3\06-PH-3002-SHEET-SITE.dwg  
 DRAWN BY: CJS DESIGN BY: RAC CHECKED BY: JUV  
 JOB NO.: 06-PH-3002 SCALE: 1"=10' H 1"=5' V

**HARLEM AVENUE BIKE PATH EXTENSION**  
**CROSS SECTIONS**

DATE	REVISIONS	BY	SHEET
8-28-07	PER IDOT LETTER OF 7-31-07	RAC	<b>8</b> OF 8 SHEETS
10-01-07	PER IDOT LETTER OF 9-27-07	RAC	
10-19-07	PER IDOT BLR	RAC	

PLOT DATE: OCT 28, 2007  
 PLOT TIME: 10:05:00 AM  
 PLOT USER: JUV