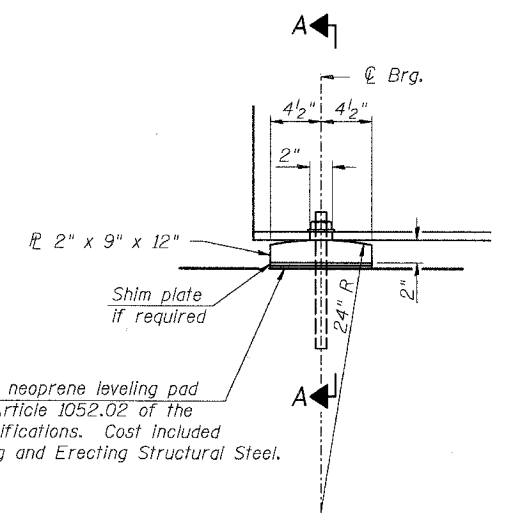


ROUTE NO.	SECTION	COUNTY	SHEET	SHEET
FAU 2830	01-00133-08-BR	WILL	37	21
FED. ROAD DIST. NO.	ILLINOIS	FED. AID PROJECT-		
1				

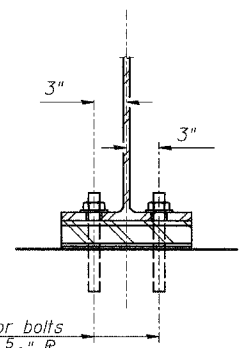
SHEET NO. S-10
S-19 SHEETS

Contract #83989



1/8" elastomeric neoprene leveling pad according to Article 1052.02 of the Standard Specifications. Cost included with Furnishing and Erecting Structural Steel.

ELEVATION AT ABUTMENTS

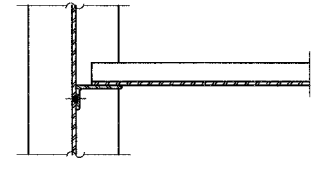


1" ϕ x 12" anchor bolts with 2 1/4" x 2 1/4" x 5/16" plate washer under nut. 1 3/8" x 2" slotted hole in bottom flange. Provide 1/2" ϕ holes in bearing plate.

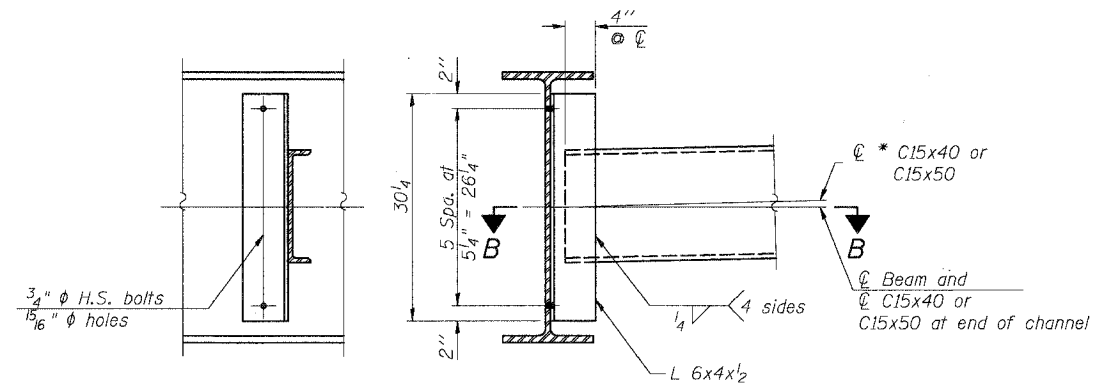
SECTION A-A

FIXED BEARING AT ABUTMENTS
(12 Required)

Notes:
Anchor bolts at fixed bearings may be built into the masonry.



SECTION B-B



INTERIOR DIAPHRAGM D

Note:
Two hardened washers required for each set of oversized holes.

* Alternate channels are permitted to facilitate material acquisition. Calculated weight of structural steel is based on the lighter section.

DESIGNED	AEU
CHECKED	RGD
DRAWN	WJH
CHECKED	AEU

Illinois Professional Design Firm # 184-000108
SEC GROUP, INC.
Smith Engineering Consultants • SEC Automation • SEC Planning
4500 Prime Parkway, McHenry, IL 60050
t. 815.385.1778 f. 815.385.1781
www.secgroupinc.com

ILLINOIS DEPARTMENT OF TRANSPORTATION
STEEL FRAMING DETAILS
OLD MONEE ROAD (COUNTY HIGHWAY 48)
OVER THORN CREEK
WILL COUNTY
SECTION NO. 01-00133-08-BR
STRUCTURE NO. 099-3379
DATE: 11-26-2007