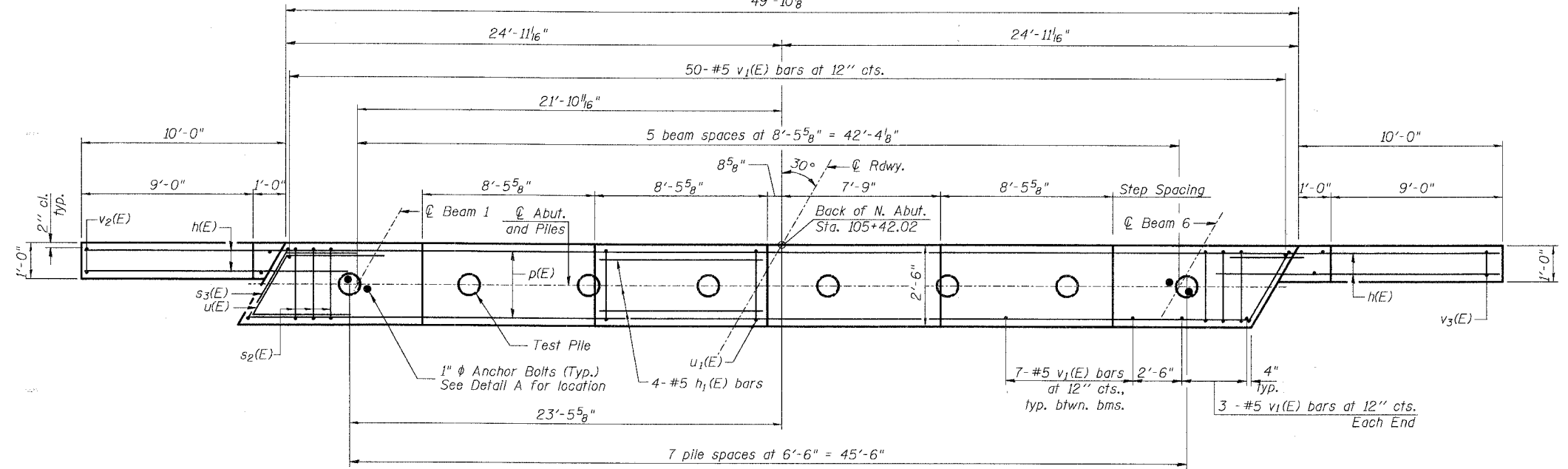
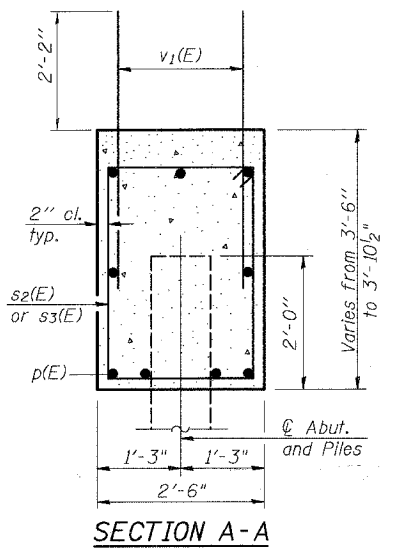
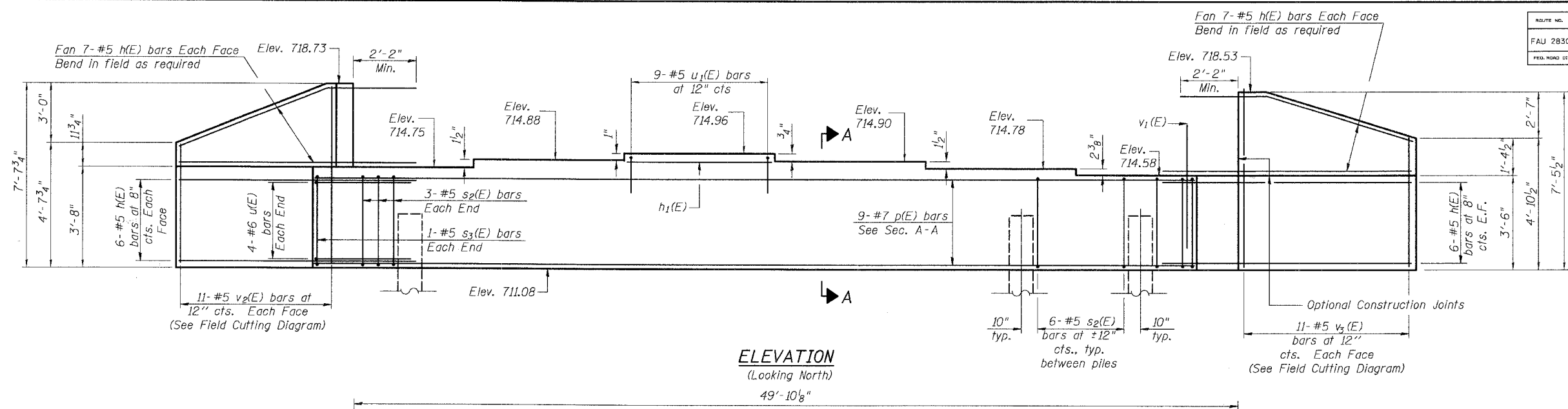


|                     |                |                  |       |      |
|---------------------|----------------|------------------|-------|------|
| ROUTE NO.           | SECTION        | COUNTY           | SHEET | POST |
| FAU 2830            | 01-00133-08-BR | WILL             | 37    | 22   |
| FED. ROAD DIST. NO. | ILLINOIS       | FED. AID PROJECT |       |      |
| 1                   |                |                  |       |      |

SHEET NO. S-11  
S-19 SHEETS

Contract #83989

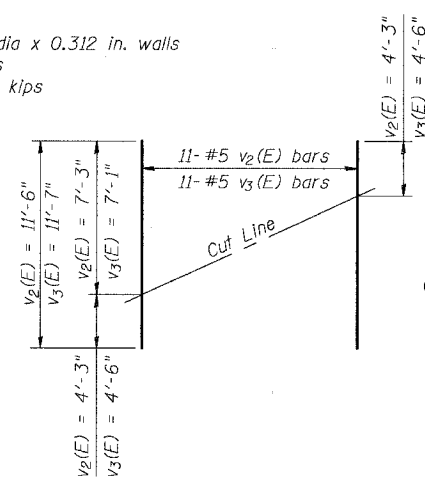


**BILL OF MATERIAL**

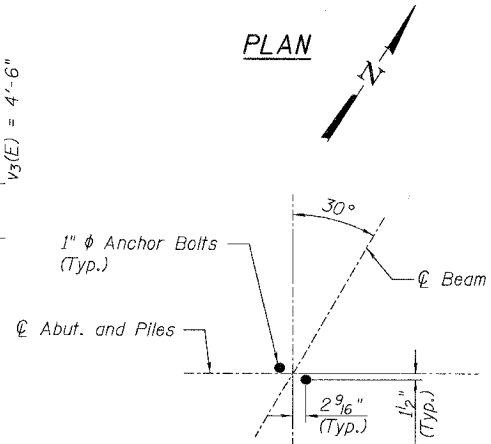
| Bar                              | No. | Size | Length  | Shape |
|----------------------------------|-----|------|---------|-------|
| h(E)                             | 52  | #5   | 12'-0"  | —     |
| h1(E)                            | 4   | #5   | 8'-1"   | —     |
| p(E)                             | 9   | #7   | 49'-6"  | —     |
| s2(E)                            | 48  | #5   | 11'-7"  | □     |
| s3(E)                            | 2   | #5   | 12'-3"  | □     |
| u(E)                             | 8   | #6   | 9'-6"   | ┌     |
| u1(E)                            | 9   | #5   | 5'-2"   | ┌     |
| v1(E)                            | 91  | #5   | 4'-4"   | —     |
| v2(E)                            | 11  | #5   | 11'-6"  | —     |
| v3(E)                            | 11  | #5   | 11'-7"  | —     |
| Concrete Structures              |     |      | Cu. Yd. | 22.2  |
| Reinforcement Bars, Epoxy Coated |     |      | Pound   | 3,040 |
| Structure Excavation             |     |      | Cu. Yd. | 102   |
| Furnishing Metal Shell Piles 14" |     |      | Foot    | 497   |
| Driving Piles                    |     |      | Foot    | 497   |
| Test Pile Metal Shells           |     |      | Each    | 1     |

**PILE DATA**

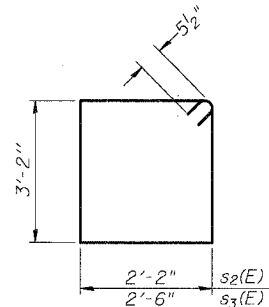
Type & Size: Metal Shell - 14 in. dia x 0.312 in. walls  
 Nominal Required Bearing: 390 kips  
 Allowable Resistance Available: 130 kips  
 Est. Length: 71 ft.  
 No. Production Piles: 7  
 No. Test Piles: 1



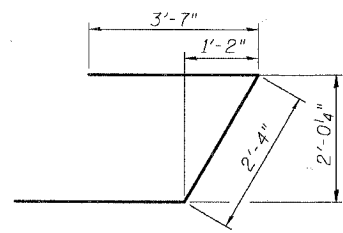
**PLAN**



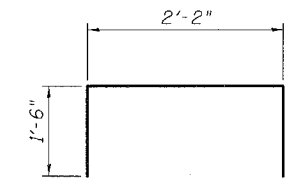
**BARS s2(E) & s3(E)**



**BAR u(E)**



**BAR u1(E)**



Notes: Four steps monolithically with cap.  
 The test piles shall be driven to 110% of the Nominal Required Bearing indicated in the pile data information.

|          |     |
|----------|-----|
| DESIGNED | AEU |
| CHECKED  | RGD |
| DRAWN    | WJH |
| CHECKED  | AEU |

**FIELD CUTTING DIAGRAM**

Order v2(E) and v3(E) full length. Cut as shown and use remainder of bars in opposite face.

**DETAIL A**



ILLINOIS DEPARTMENT OF TRANSPORTATION  
 NORTH ABUTMENT  
 OLD MONEE ROAD (COUNTY HIGHWAY 48)  
 OVER THORN CREEK  
 WILL COUNTY  
 SECTION NO. 01-00133-08-BR  
 STRUCTURE NO. 099-3379  
 DATE: 1-11-2008