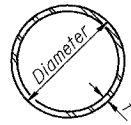


ROUTE NO.	SECTION	COUNTY	TOTAL SHEETS	SHEET
FAU 2830	01-00133-08-BR	WILL	37	26
FED. ROAD DIST. NO.	ILL. MOOR	FED. AID PROJECT-		
1				

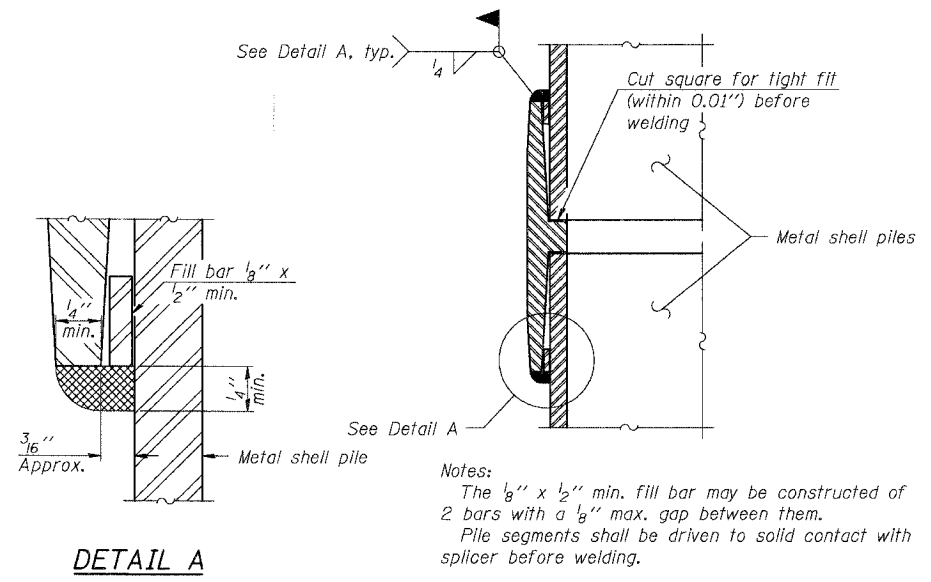
SHEET NO. S-15
S-19 SHEETS

Contract #83989

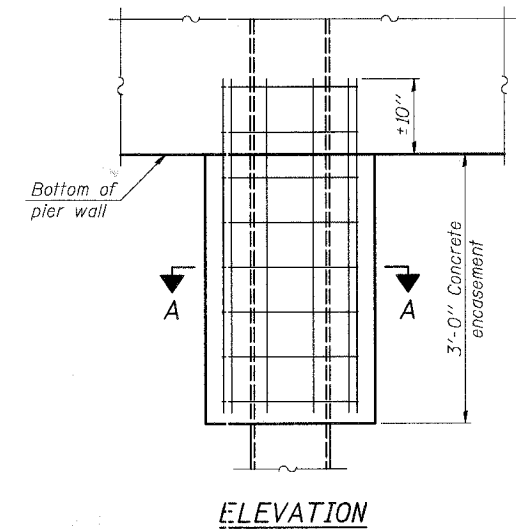


METAL SHELL PILE TABLE

Designation	Wall thickness t	Weight per foot (Lbs./ft.)	Inside volume (yd. ³ /ft.)	Encasement diameter A
PP12	0.179"	22.60	0.0274	30"
PP12	0.250"	31.37	0.0267	30"
PP14	0.250"	36.71	0.0368	30"
PP14	0.312"	45.61	0.0361	30"

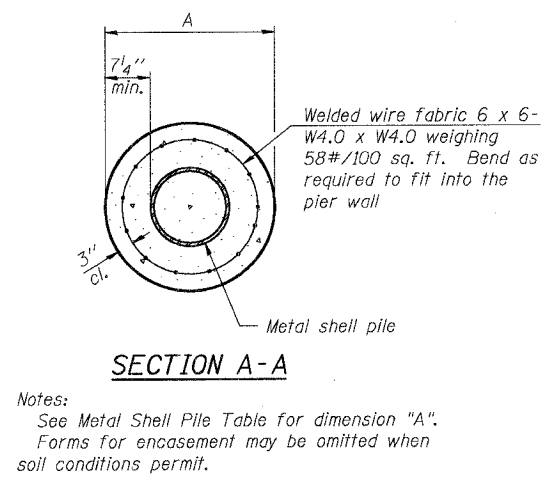


WELDED COMMERCIAL SPLICE

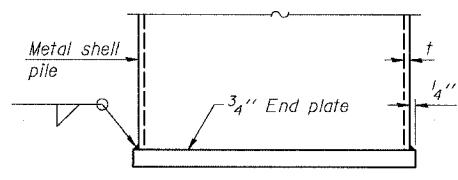


ELEVATION

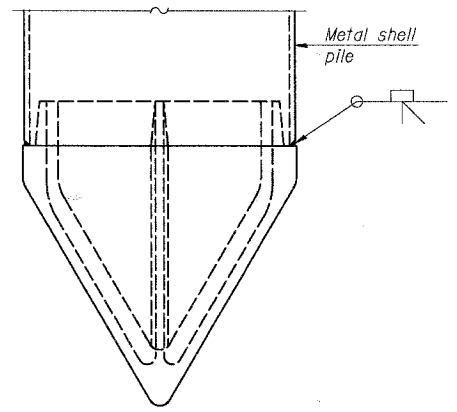
CONCRETE ENCASEMENT AT PIERS



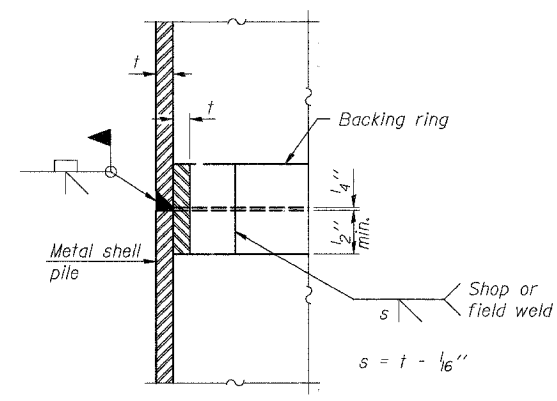
SECTION A-A



END PLATE ATTACHMENT

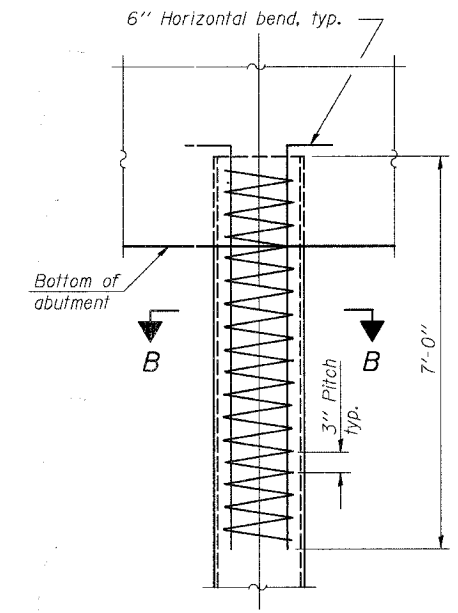


METAL SHELL PILE SHOE ATTACHMENT



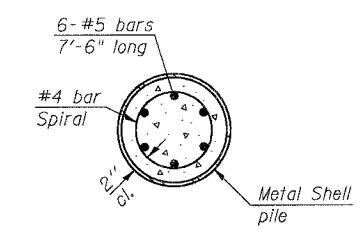
COMPLETE PENETRATION WELD SPLICE

Backing ring made from pile shell. Remove segment to allow reducing circumference and vertically rejoin with partial joint penetration weld.



ELEVATION

METAL SHELL REINFORCEMENT AT ABUTMENTS



SECTION B-B

DESIGNED	AEU
CHECKED	RGD
DRAWN	WJH
CHECKED	AEU

Note: The metal shell piles shall be according to ASTM A 252 Grade 3.

SEC GROUP, INC.
Illinois Professional Design Firm # 184-000108
Smith Engineering Consultants • SEC Automation • SEC Planning
4500 Prime Parkway, Mokena, IL 60050
T 815.385.1778 F 815.385.1781
www.secgroupinc.com

ILLINOIS DEPARTMENT OF TRANSPORTATION
**PILE DETAILS - METAL SHELL
OLD MONEE ROAD (COUNTY HIGHWAY 48)
OVER THORN CREEK
WILL COUNTY
SECTION NO. 01-00133-08-BR
STRUCTURE NO. 099-3379
DATE: 11-26-2007**