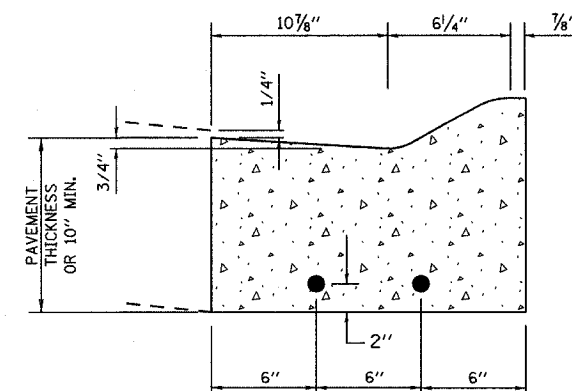


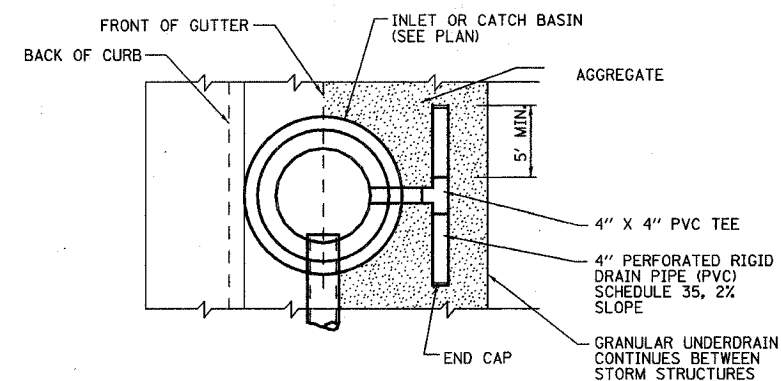
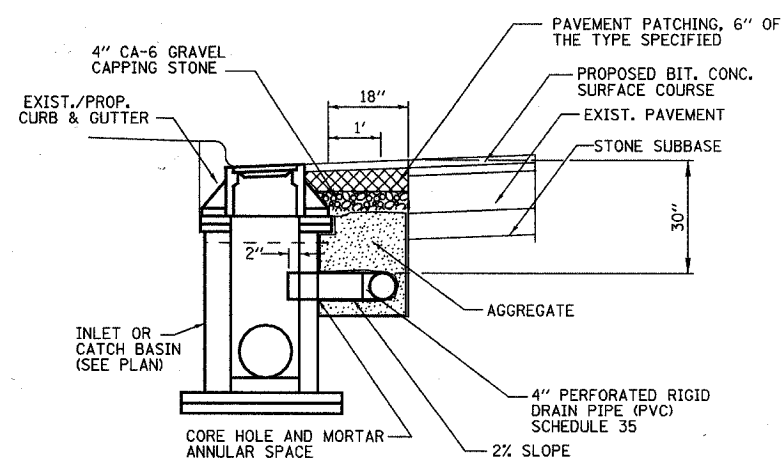
F.A.U. RTE.	SECTION	COUNTY	TOTAL SHEETS	SHEET NO.
2588	D6-00056-00-FP	DUPAGE	26	14

CONTRACT NO. 83995



NOTE:
 USE TWO NO. 5 RE-BARS FOR 10' ON EITHER SIDE OF ALL UTILITY TRENCHES.
 INSTALL 1" EXPANSION JOINT AT POINTS OF CURVATURE, AT CONSTRUCTION JOINTS AND AT A DISTANCE NOT TO EXCEED 60'. CONTRACTION JOINTS SHALL BE PLACED BETWEEN EXPANSION JOINTS AT DISTANCES NOT TO EXCEED 15'.

COMBINATION CURB & GUTTER



NOTE:

- BEDDING MATERIAL AND BACKFILL SHALL BE CA-7 (WASHED) COURSE AGGREGATE
- PIPE UNDERDRAIN SHALL BE ENCASED IN KNITTED FABRIC ENVELOPE

**PAVEMENT UNDERDRAIN-
 CONTINUOUS ALONG EDGE OF PAVEMENT**

REVISIONS	
NAME	DATE

URS 100 S. WACKER DR., SUITE 500 TEL (312)-939-1000
 CHICAGO IL, 60606 FAX (312)-939-4198

VILLAGE OF WOODRIDGE
 JANES AVENUE
 71ST STREET TO LORRAINE AVENUE
 REHABILITATION AND RESURFACING
 MISCELLANEOUS DETAILS

SCALE: NONE DRAWN BY: VAP
 DATE: 11/30/2007 CHECKED BY: DDL