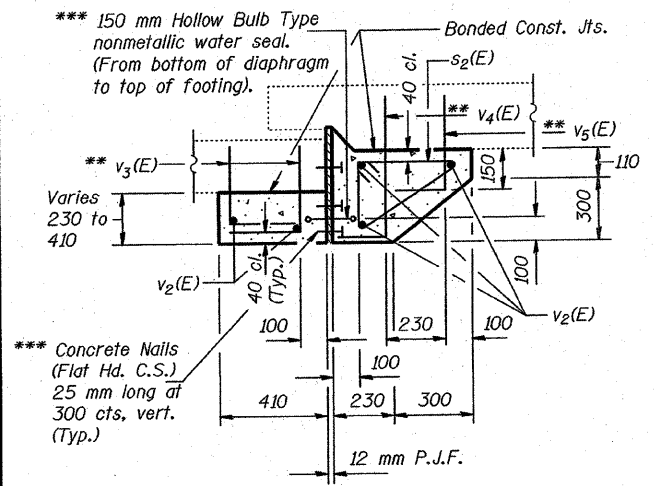


STATE OF ILLINOIS
DEPARTMENT OF TRANSPORTATION

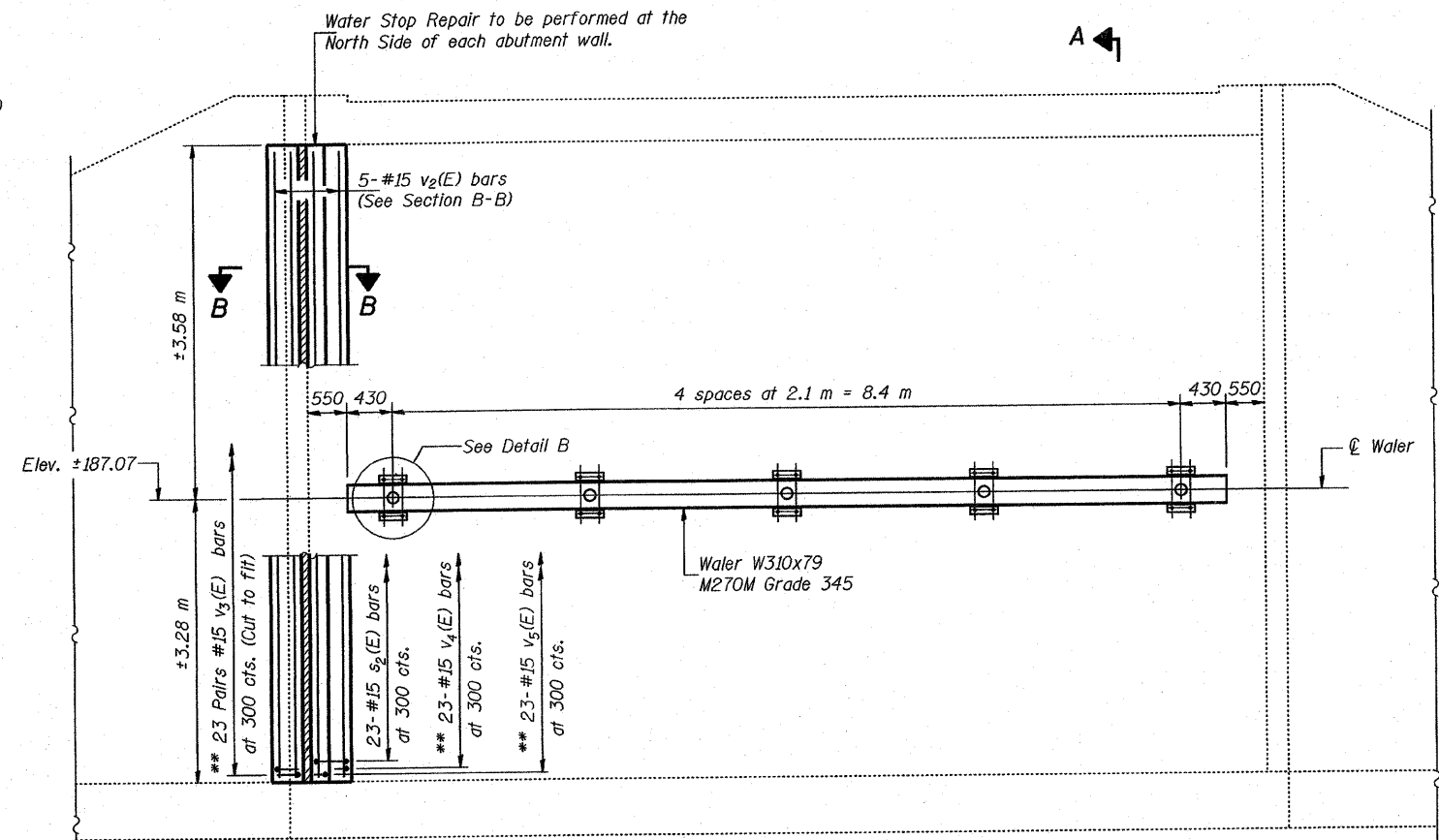
ROUTE NO.	SECTION	COUNTY	SHEETS	SHEET	SHEET NO. 11
FAS 204	*	ROCK ISLAND	31	19	14 SHEETS
FED. ROAD DIST. NO. 7	ILLINOIS	FED. AID PROJECT-			

* 92-00297-00-BR



SECTION B-B

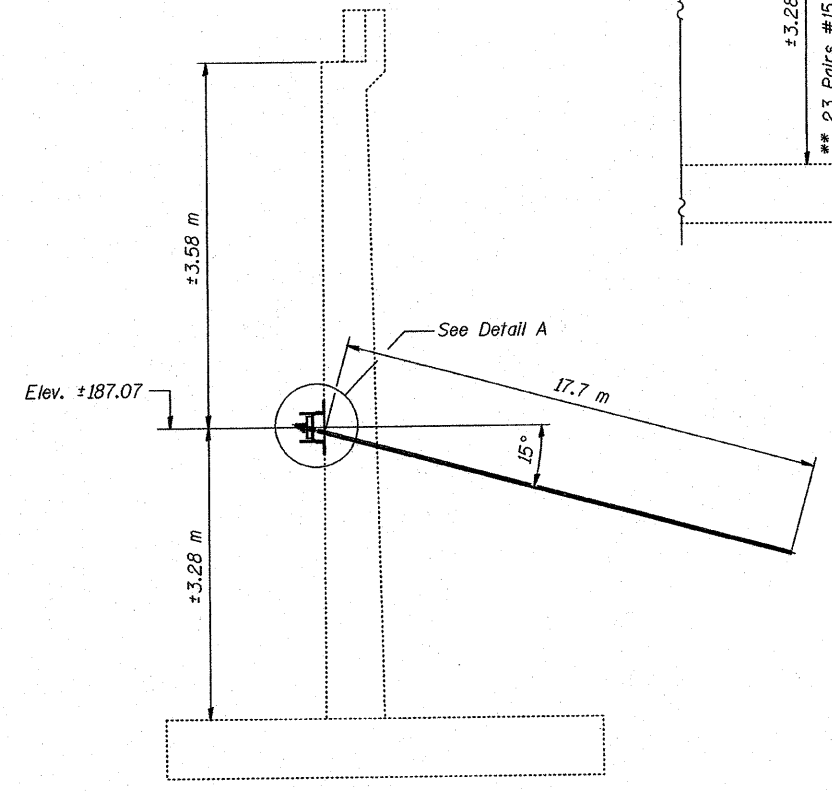
** Epoxy grout $v_3(E)$, $v_4(E)$ and $v_5(E)$ bars in 230 mm min. drilled holes according to Section 584 of the Standard Spec's.
*** Cost included with Concrete Structures.



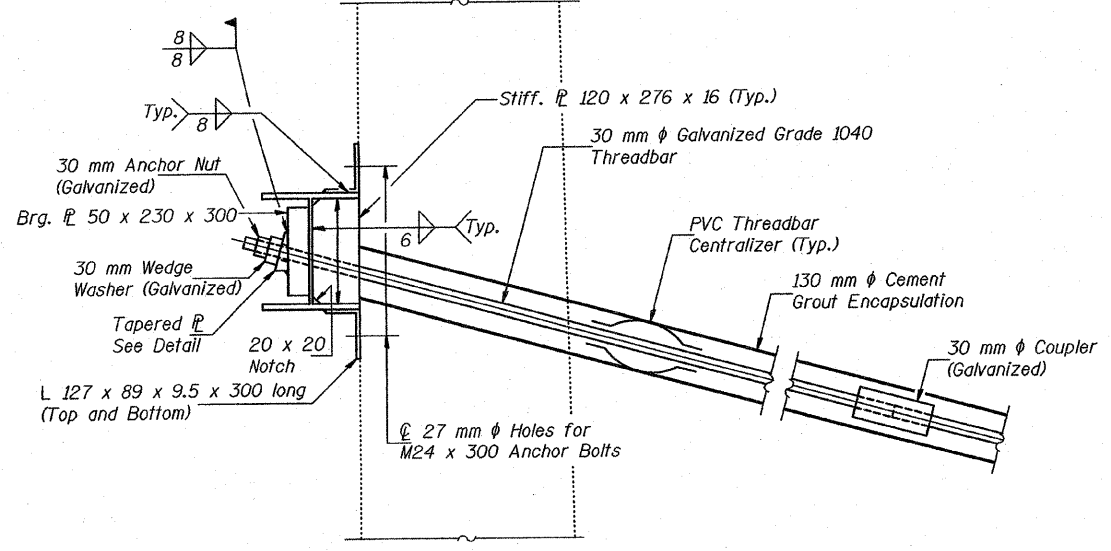
ELEVATION - ABUTMENT WALLS

(East Abutment - Looking East)
(West Abutment Similar)

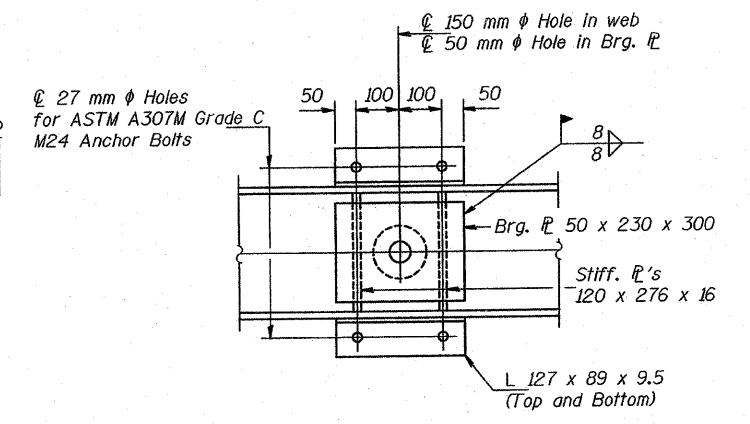
Notes:
Work this sheet with sheet 12 of 15.
After the grout is cured, the anchor nuts, wale and the cover nut shall be tightened to a snug fit using a hand wrench.
The water stop repair is to be done after the new deck has been poured and wales with wall restraining anchors have been installed.
For anchor bolt installation details see sheet 15 of 15.
Structural steel wales shall be shop painted with the inorganic zinc rich primer per AASHTO M300, Type I.
ASTM F 1554 (Fy = 724 MPa), ASTM A 449 and AASHTO M 134 (Fy = 724 MPa) anchor bolts may be substituted for the anchor bolts shown above.
Holes in the masonry for anchor bolts shall be drilled through the base plates to the diameter and depth shown or according to the manufacturer's recommendation after beams or girders have been erected and adjusted.
Prior to setting the bolts, the holes shall be dry and all dust and loose particles shall be removed by the use of compressed air or vacuuming.
~~The anchor bolts, furnished and installed including the epoxy grout or capsules shall not be paid for separately but shall be included in the unit bid price for "Furnishing and Erecting Structural Steel"~~
All dimensions are in millimeters (mm) except as noted.



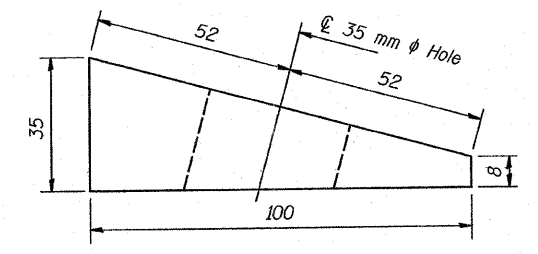
SECTION A-A



DETAIL A



DETAIL B



TAPERED PLATE DETAIL

DESIGNED	SPN
CHECKED	TWH
DRAWN	R. Doty
CHECKED	SPN/TWH

Aug. 24, 2007
EXAMINED *Thomas Domagalak*
PASSED *Ralph E. Anderson*

WALL ANCHOR DETAILS
F.A.S. RT. 204 SEC. 92-00297-00-BR
ROCK ISLAND COUNTY
STA. 0+304.801