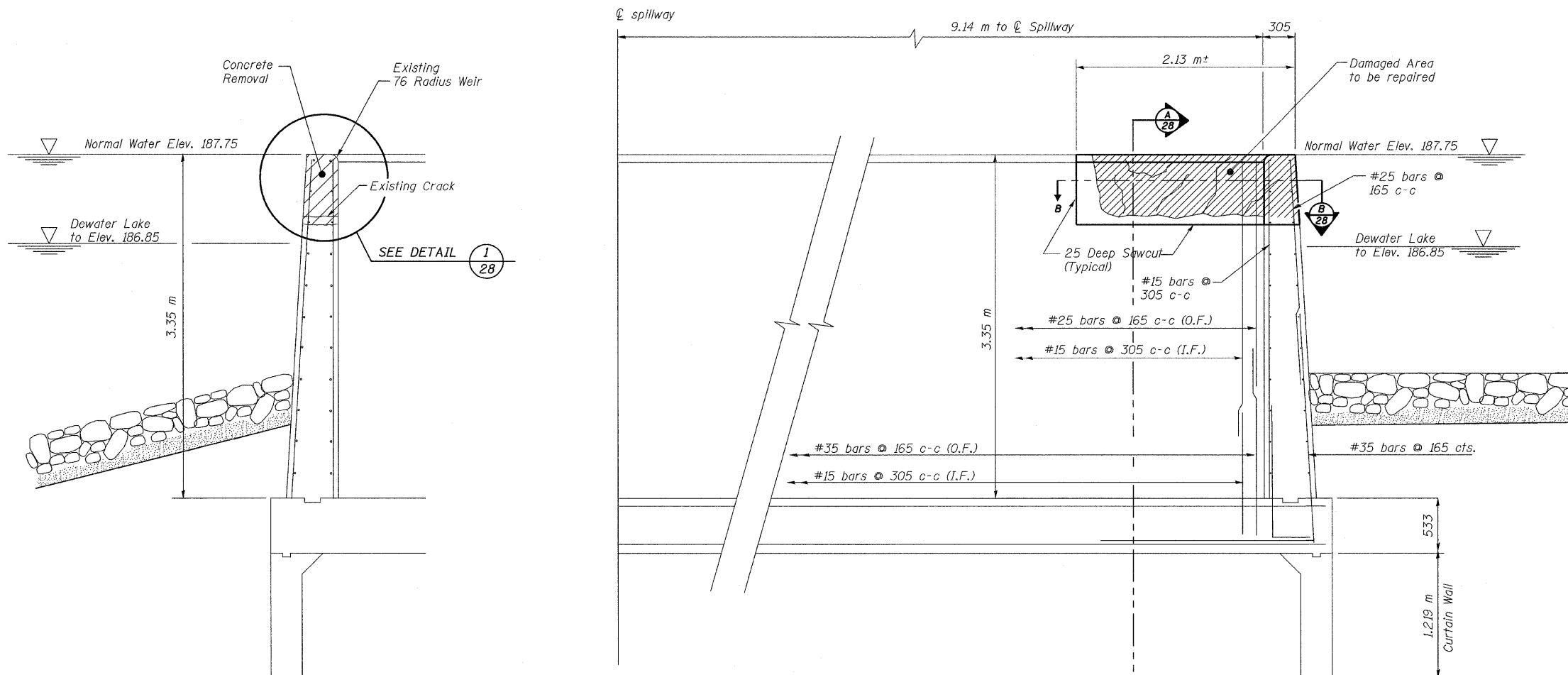
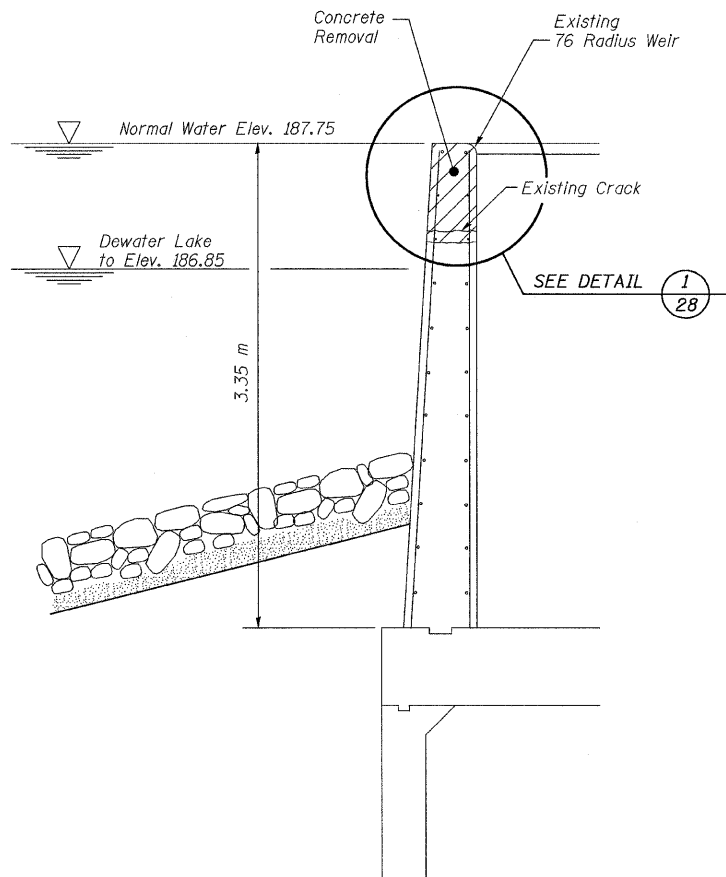


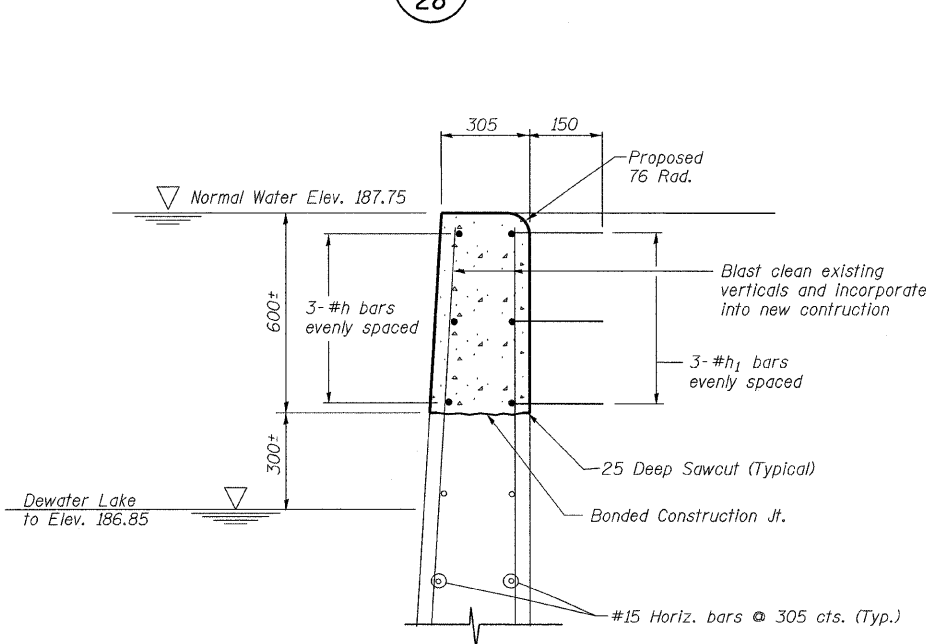
F.A. RTE.	SECTION	COUNTY	TOTAL SHEETS	SHEET NO.
204	92-00297-00-BR	ROCK ISLAND	31	28
STA. 0+270		TO STA. 0+340		
FED. ROAD DIST. NO. 7		ILLINOIS FED. AID PROJECT		



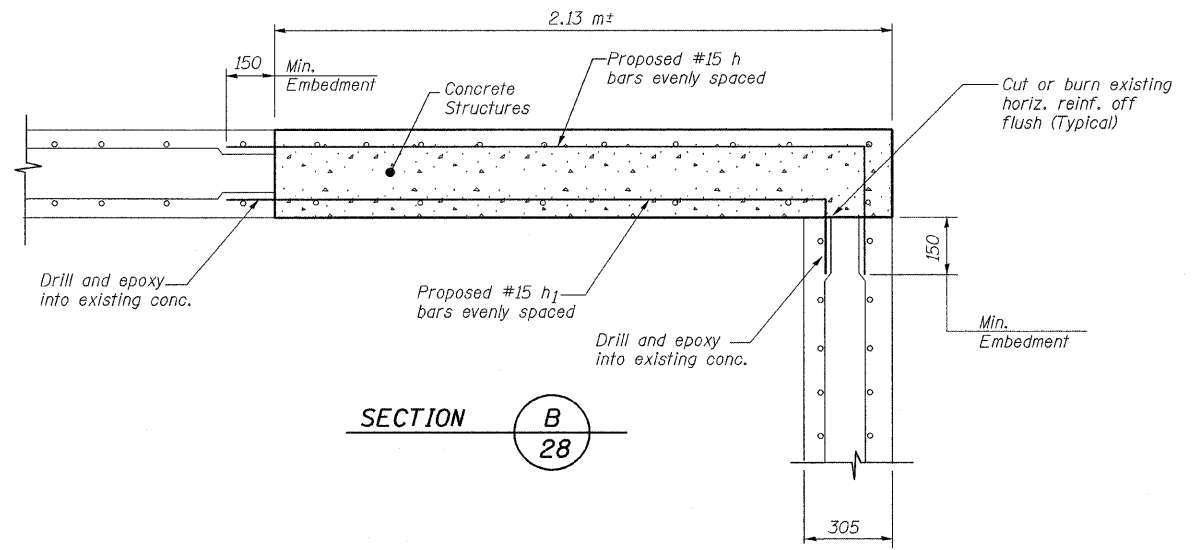
**ELEVATION VIEW**  
(Looking South)



**SECTION A**  
28



**DETAIL 1**  
28



**SECTION B**  
28

REVISIONS	
NAME	DATE

ILLINOIS DEPARTMENT OF TRANSPORTATION  
**WEIR REPAIR DETAILS**  
 C.H. 59 OVER  
 LAKE GEORGE SPILLWAY  
 ROCK ISLAND, COUNTY  
 DRAWN BY RAP  
 CHECKED BY JBF  
 DATE NOV. 2007