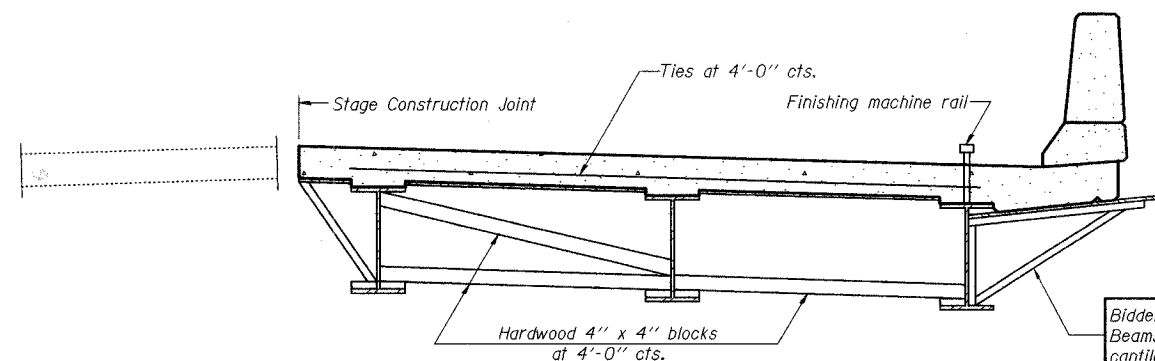


87351



**FORM BRACES FOR
STAGE CONSTRUCTION**

Bidders please note:
Beams are W16. "Junior" or Special
cantilever brackets may be required.

When cantilever forming brackets are used, the work shall be done according to Article 503.06(b) of the Standard Specifications, except as modified below and in the details shown on this sheet.

The finishing machine rails shall be placed on the top flange of the exterior beams.

The beams or girders, supporting cantilever forming brackets, shall be tied together at 4 foot intervals.

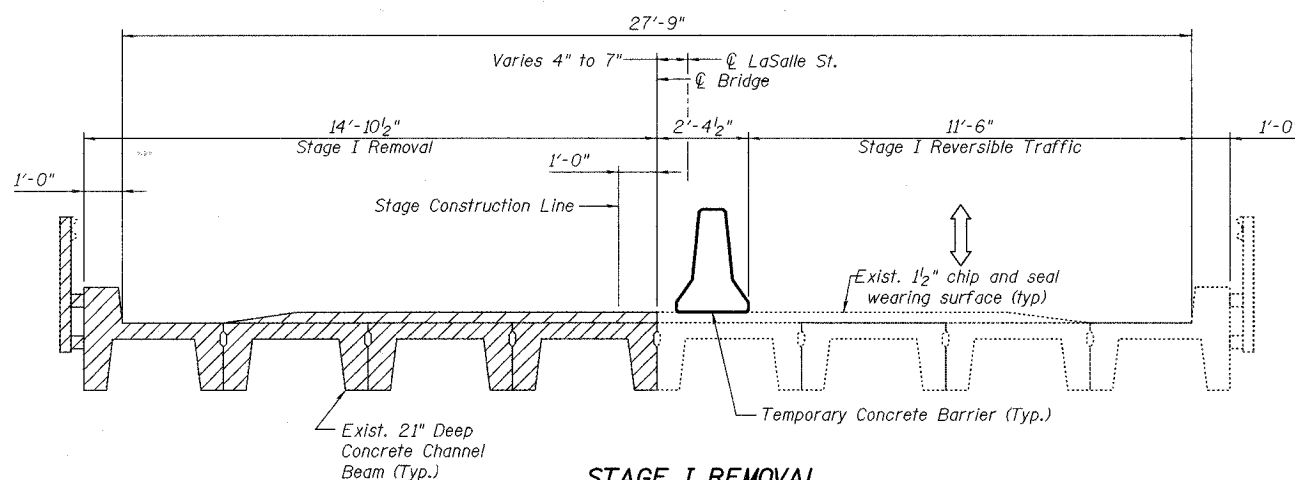
For Standard construction, or Stage Construction the Hardwood bracing materials shall be placed as shown between webs of beams in each bay.

The removal and disposal of the existing steel bridge railing and the existing chip and seal wearing surface shall be included in the cost of "Removal of Existing Superstructures."

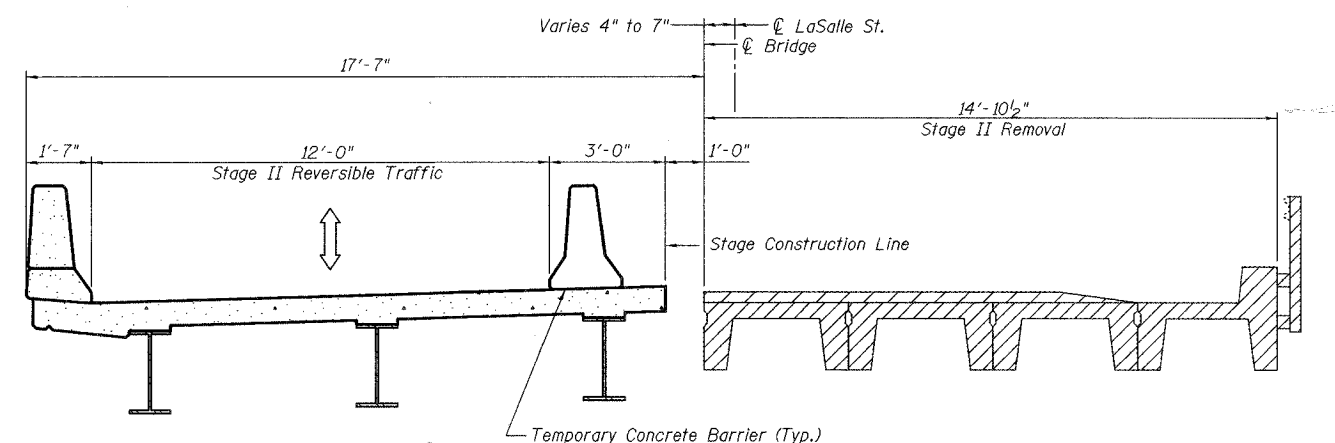
See Roadway Plans for Temporary Concrete Barrier quantity. All Cross Sections shown below are looking East.

LEGEND

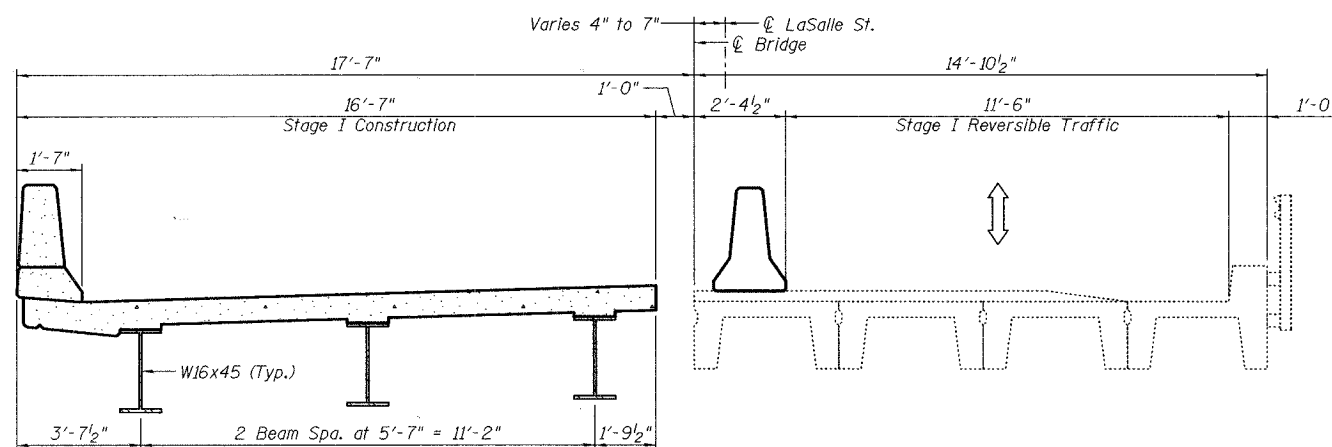
Indicates limits of "Removal of Existing Superstructures."



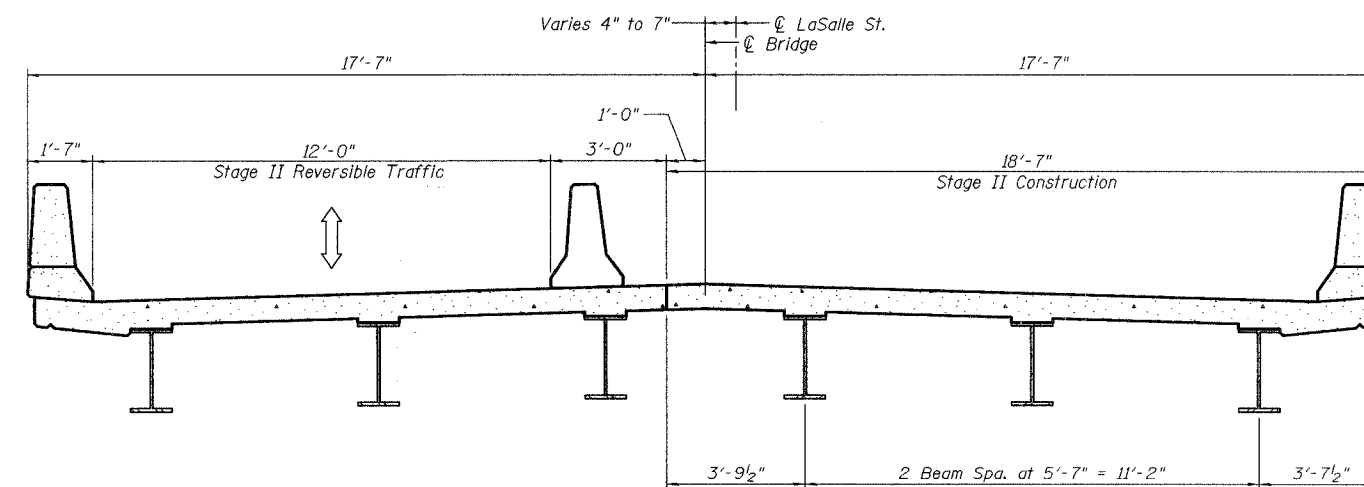
STAGE I REMOVAL



STAGE II REMOVAL



STAGE I CONSTRUCTION



STAGE II CONSTRUCTION

DESIGNED	KMA
CHECKED	AEU
DRAWN	WJH
CHECKED	RGD

COUNTY ROAD DIST. PROJECT NO. 05-00627-00-BR
 PROJECT CONTRACT NO. 05-00627-00-BR
 COUNTY ROAD DIST. PROJECT NO. 05-00627-00-BR
 PROJECT CONTRACT NO. 05-00627-00-BR
 COUNTY ROAD DIST. PROJECT NO. 05-00627-00-BR
 PROJECT CONTRACT NO. 05-00627-00-BR

SEC GROUP, INC.
 Single Professional Design Firm # 164-000108
 Smith Engineering Consultants • SEC Architecture • SEC Planning
 4500 Prima Parkway, McHenry, IL 60050
 L 815.386.1778 F 815.386.1781
 www.secgroupinc.com engineering@secgroupinc.com

LASALLE COUNTY HIGHWAY DEPARTMENT
STAGING DETAILS
 LASALLE STREET
 OVER SOMONAUK CREEK
 VILLAGE OF SOMONAUK
 SECTION NO. 05-00627-00-BR
 STRUCTURE NO. 050-3057
 DATE 11-16-2007

1-25-2008