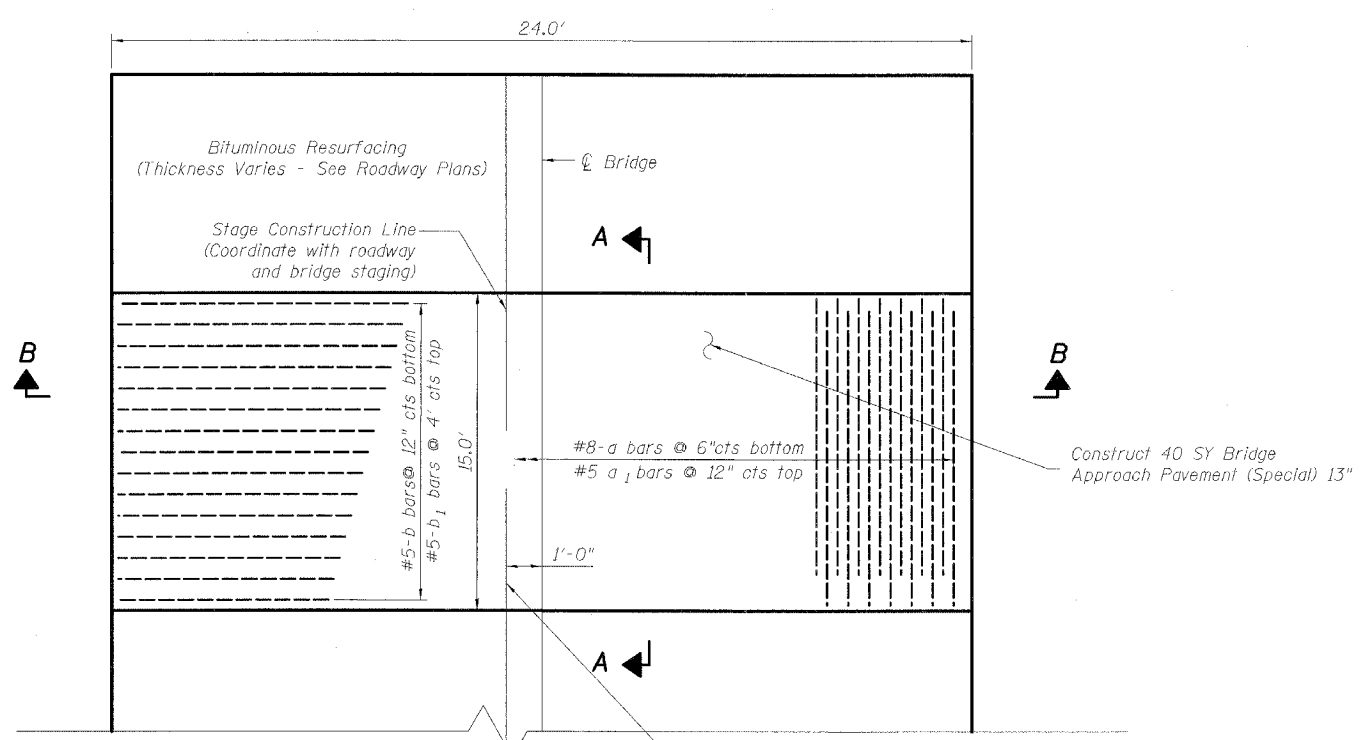


ROUTE NO.	SECTION	COUNTY	SHEET	TOTAL SHEETS
FAS 1274	05-00627-00-BR	LASALLE	45	29
FED. ROAD DIST. NO.	ILLINOIS	FED. AID PROJECT-		
1				

SHEET NO. S-16
S-16 SHEETS

87351

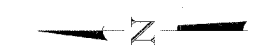
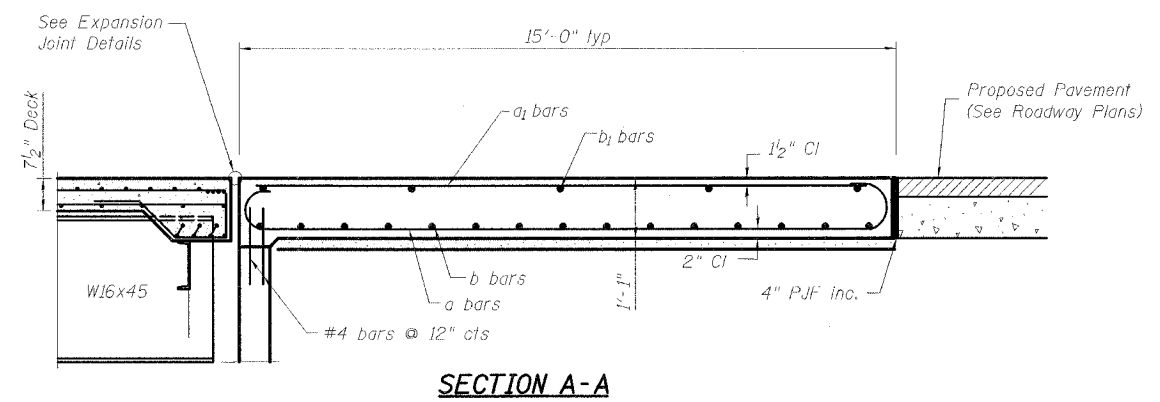
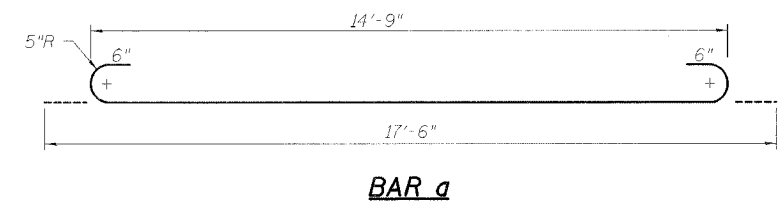
PLAN EAST APPROACH PAVEMENT



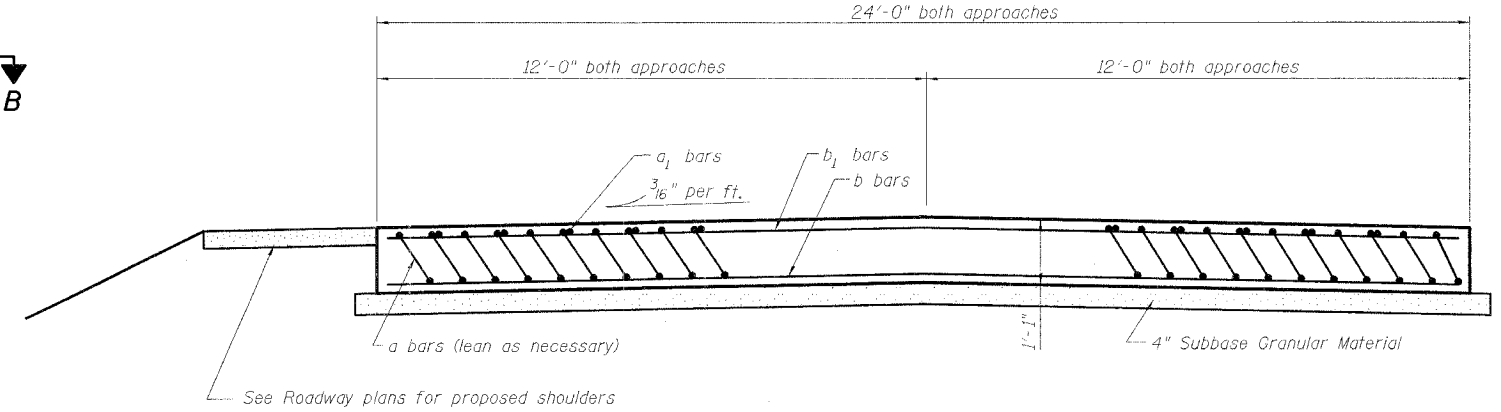
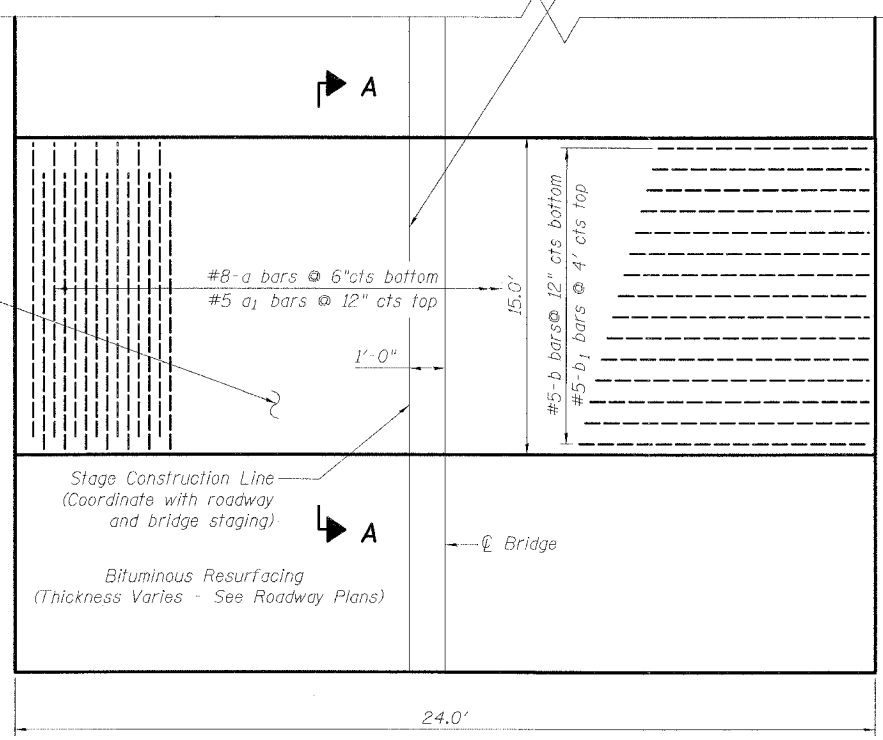
BAR LIST

Bar	No. West	No. East	Size	Length	Shape
a (E)	48	48	8	17'-6"	U
a ₁ (E)	24	24	5	14'-9"	—
b (E)	16	16	5	27'-4"	—
b ₁ (E)	5	5	5	27'-4"	—

Stage Construction Line-See Highway Standard 420001-06 for Longitudinal Construction Joint Details. In lieu of the Longitudinal Construction Joint Detail, the Contractor may use Bar Splicers in accordance with the Bar Splicer Assembly Details. The cost of the Bar Splicers shall be included in the cost of Bridge Approach Pavement (Special).



Construct 40 SY Bridge Approach Pavement (Special) 13"



PLAN WEST APPROACH PAVEMENT

DESIGNED	KMA
CHECKED	AEU
DRAWN	WJH
CHECKED	RGD

SECTION B-B

Illinois Professional Design Firm # 184-000108

SEC GROUP, INC.
Smith Engineering Consultants • SEC Automation • SEC Planning
4900 Prime Parkway, McHenry, IL 60050
t 815.385.1778 f 815.385.1781
www.secgroupinc.com engineering@secgroupinc.com

LASALLE COUNTY HIGHWAY DEPARTMENT

BRIDGE APPROACH PAVEMENT (SPECIAL) DETAILS
LASALLE STREET
OVER SOMONAUK CREEK
VILLAGE OF SOMONAUK
SECTION NO. 05-00627-00-BR
STRUCTURE NO. 050-3057

DATE 11-16-2007

DRAWN BY: WJH
 CHECKED BY: AEU
 PROJECT: 05-00627-00-BR
 SHEET: S-16
 DATE: 11-16-2007