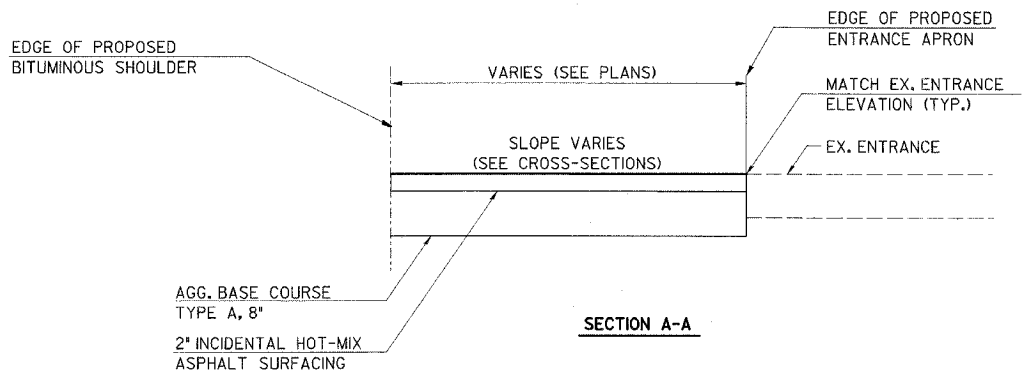


F.A.S. RTE.	SECTION	COUNTY	TOTAL SHEETS	SHEET NO.
1274	05-00627-00-BR	LASALLE	45	30
STA. 18+80.00		TO STA. 27+00.00		
FED. ROAD DIST. NO.	ILLINOIS	FED. AID PROJECT		

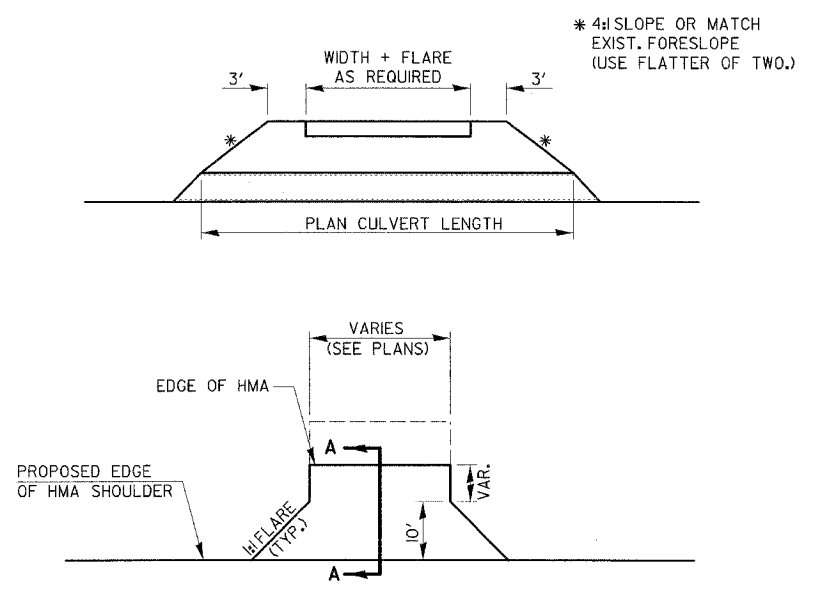
87351

PLAN	SURVEYED	DATE
	PLOTTED	BY
	CHECKED	
	RE. OF WAY CHECKED	
	CADD FILE NAME	
	NO.	

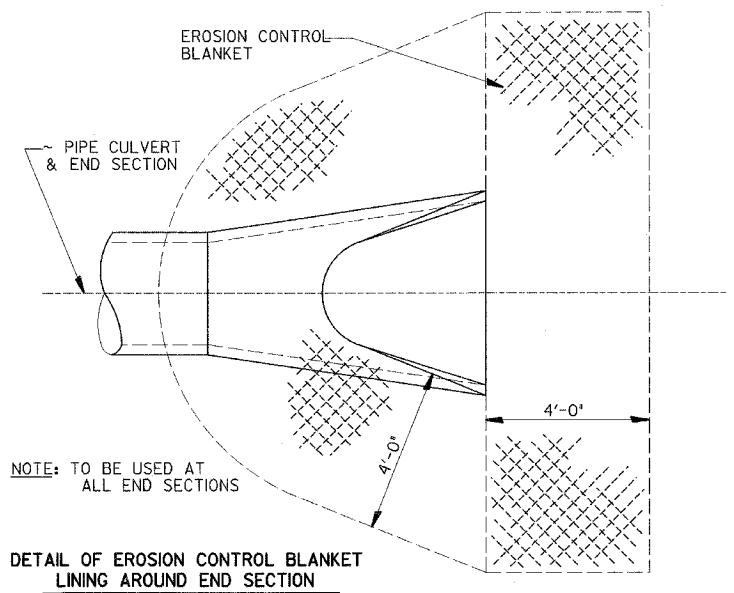


PROFILE AT PRIVATE / COMMERCIAL ENTRANCES

PROFILE	SURVEYED	DATE
	PLOTTED	BY
	CHECKED	
	RE. OF WAY CHECKED	
	STRUCTURE NOTATIONS CHECKED	
	NO.	

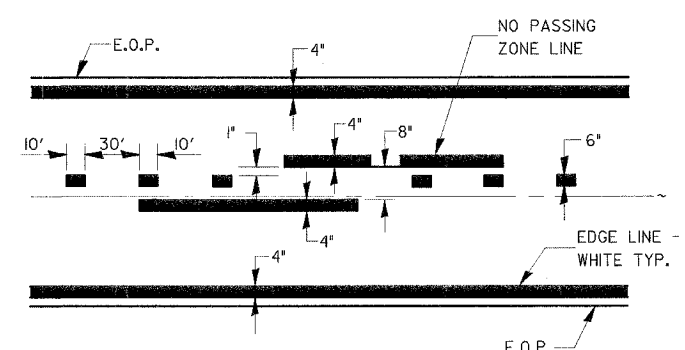


PLAN AT PRIVATE & COMMERCIAL ENTRANCES
(DO NOT RESURFACE FIELD ENTRANCES)



DETAIL OF EROSION CONTROL BLANKET LINING AROUND END SECTION

NOTE: PRC FLARED END SECTION SHOWN. TREATMENT SAME FOR OTHER END SECTIONS.



PAVEMENT MARKING
(SEE TYPICAL SECTIONS)

REVISIONS	
NAME	DATE

ILLINOIS DEPARTMENT OF TRANSPORTATION
LASALLE STREET BRIDGE REPLACEMENT

MISCELLANEOUS DETAILS

SCALE: VERT. DRAWN BY
 HORIZ. CHECKED BY
 DATE 11/16/07

I:\projects\11062307\11062307.dwg
 11/16/07
 11/16/07