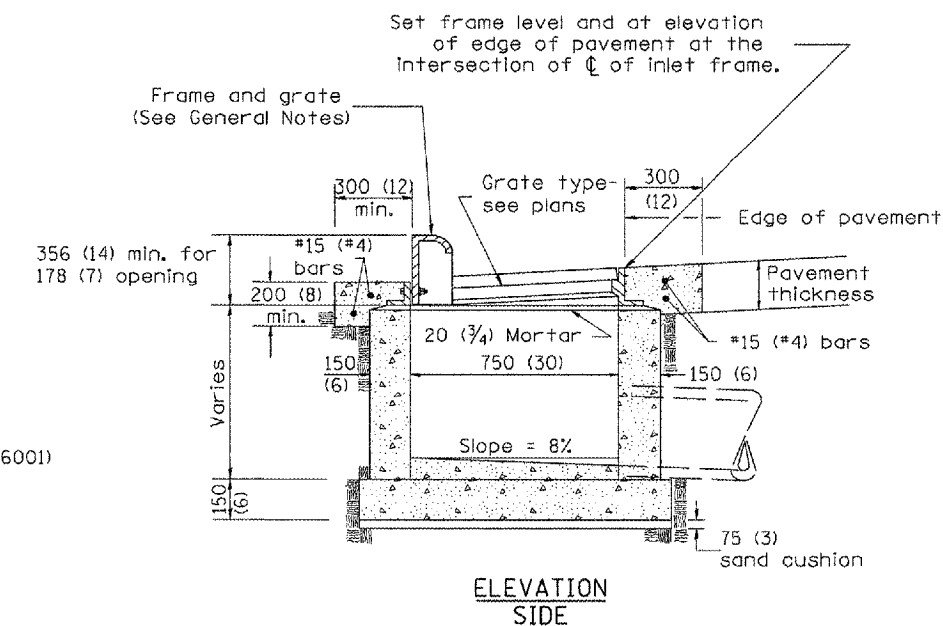
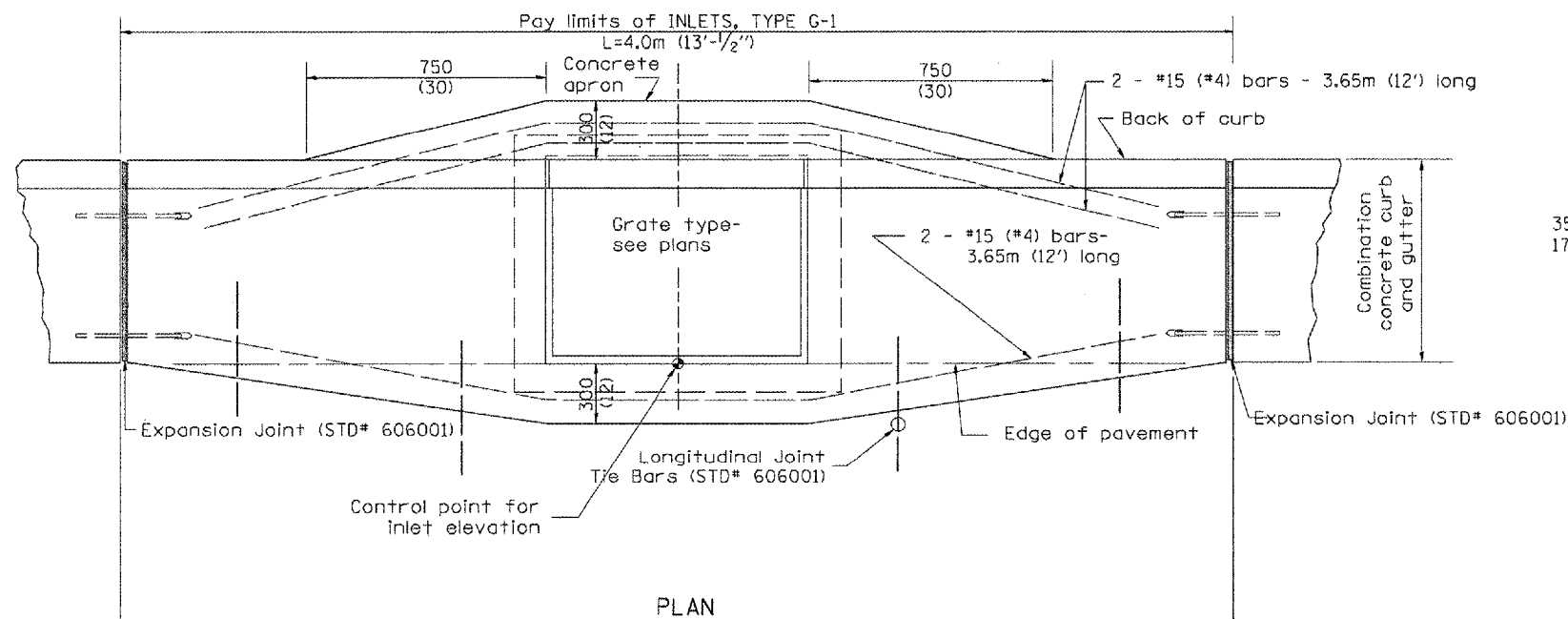
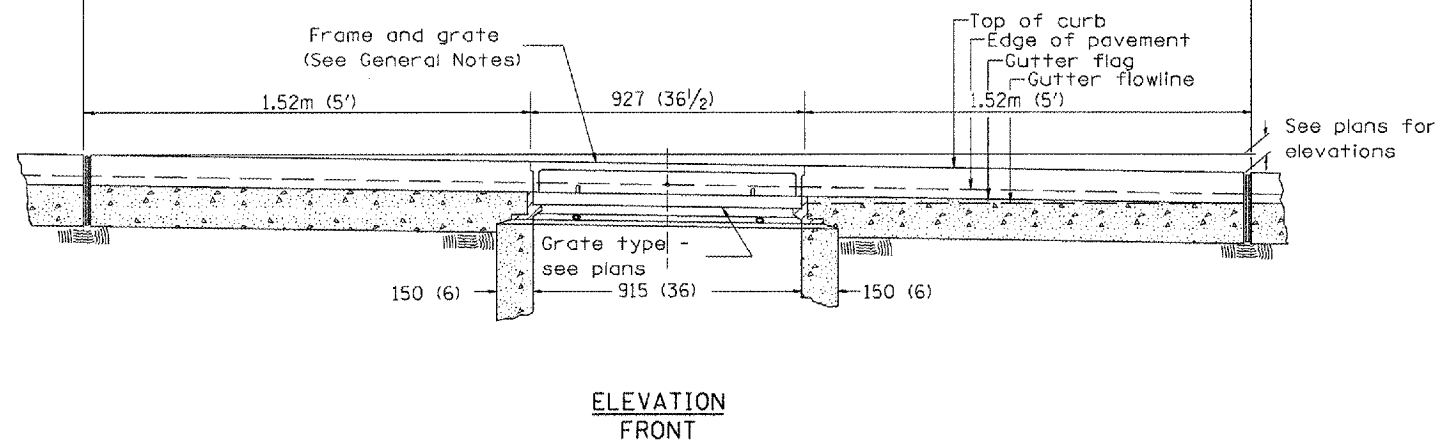


F.A. RTE.	SECTION	COUNTY	TOTAL SHEETS	SHEET NO.
MS 7600	05-00104-00-RS	TAZEWELL	36	36
STA.	TO STA.			
FED. ROAD DIST. NO.	ILLINOIS	FED. AID PROJECT		



GENERAL NOTES

1. Inlet construction shall be in accordance with Section 602 of the Standard Specifications.
2. Combination Concrete Curb & Gutter shall be constructed in accordance with Section 606 of the Standard Specifications.
3. See District CADD Standard 604001-D4 for frame and grates.



All dimensions are in millimeters (inches) unless otherwise noted.

ILLINOIS DEPARTMENT OF TRANSPORTATION  
DISTRICT CADD STANDARD

INLETS, TYPE G-1

CADD STD NO. 602001-D4

SCALE NOT TO SCALE

DATE \*\*DATE\*\*

DRAWN BY CADD

CHECKED BY

DATE	REVISIONS	BY
1-1-97	RENUM. B-4.01, NEW REVISION BOX	T.P.
10-99	REVISION TO GENERAL NOTES	J.A.
2-00	REVISION TO DESIGNER NOTES	J.A.

602001-D4