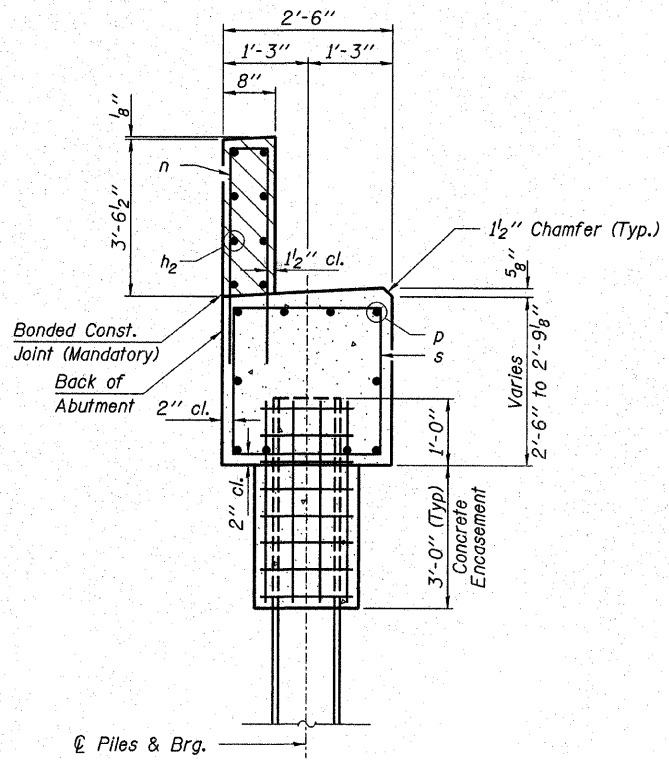
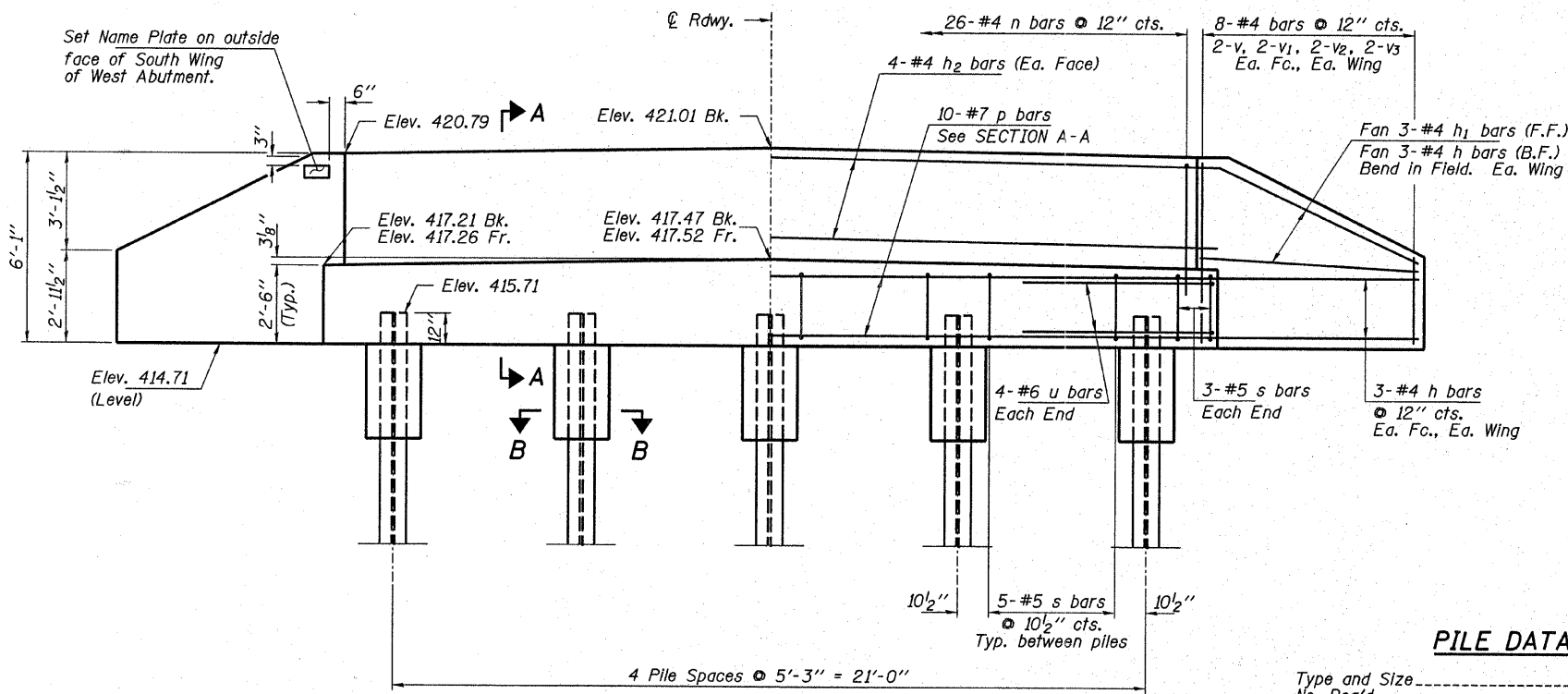
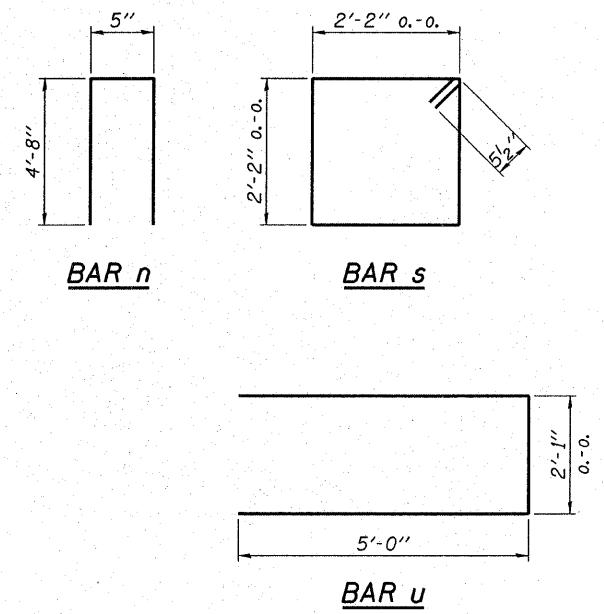


PLAN

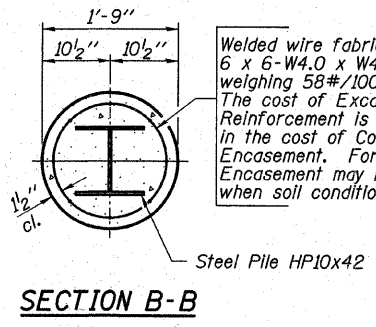


SECTION A-A

Hatched area to be poured after beams are in place.



ELEVATION



SECTION B-B

PILE DATA

Type and Size Steel HP10x42
 No. Req'd 5
 Nominal Req'd Bearing 335 Kips/Pile
 Allowable Resistance Available 112 Kips/Pile
 Est. Length 45 Ft./Pile (W. Abut.)

Notes: The Steel H-Piles shall be according to AASHTO M270 Grade 50.
 The test pile shall be driven to 110 percent of the Nominal Required Bearing indicated in the pile data information.
 * Includes one test pile to be driven in a permanent location at the West Abutment.

**WEST ABUTMENT
BILL OF MATERIAL**

BAR	NO.	SIZE	LENGTH	SHAPE
h	18	#4	8'-6"	—
h1	6	#4	7'-0"	—
h2	8	#4	26'-0"	—
n	26	#4	9'-9"	⊥
p	10	#7	25'-2"	—
s	26	#5	9'-7"	□
u	8	#6	12'-1"	—
v	8	#4	5'-8"	—
v1	8	#4	4'-8"	—
v2	8	#4	3'-8"	—
v3	8	#4	2'-8"	—
Concrete Structures			Cu. Yd.	10.8
Concrete Encasement			Cu. Yd.	1.3
Reinforcement Bars			Pound	1,450
Steel Piles HP10x42			Foot	180
Test Pile Steel HP10x42			Each	1
Driving Piles			Foot	180
Name Plates			Each	1

HAMPTON, LENZINI & RENWICK, INC.
 CIVIL & STRUCTURAL ENGINEERS
 LAND SURVEYORS
 3085 STEVENSON DRIVE, SUITE 201
 SPRINGFIELD, ILLINOIS 62703
 (217) 546-3400
 ELGIN • SPRINGFIELD

PROJECT NUMBER: 12-81-0002-1 DATE: 04/02/07
 DESIGNED: T.P.L. CHECKED: J.L.B. DRAWN: P.J.L.

WEST ABUTMENT
SECTION 04-00112-00-BR
 COUNTY HIGHWAY 8
 RICHLAND COUNTY
 STRUCTURE NO. 080-3213 / STATION 7+58