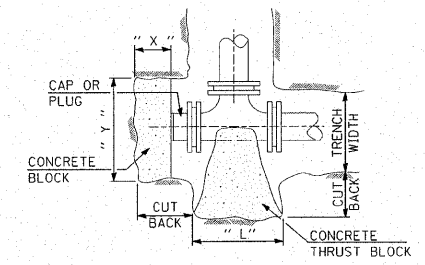
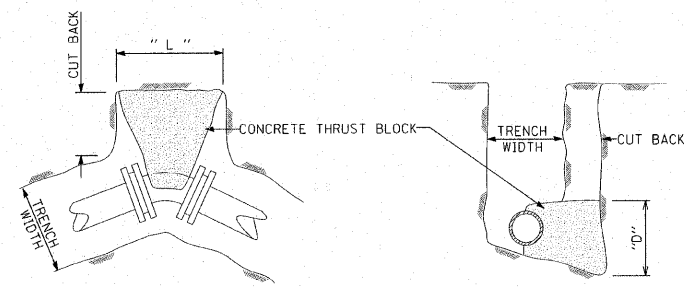


F.A. RTE.	SECTION	COUNTY	TOTAL SHEETS	SHEET NO.
	03-00026-00-PK 06-00026-01-MS	MADISON	51	4

THRUST BLOCKING SCHEDULE						
PIPE SIZE	BENDS				TEES	
	1/4 OR 90°	1/2 OR 45°	1/2 OR 22 1/2°	1/2 OR 11 1/4°	CAP/PLUG	THRUST BLOCK
6"	2.00	1.20	—	—	1.50	1.50
8"	3.60	2.10	1.60	—	2.70	2.70
10"	5.60	3.20	2.60	2.10	4.30	4.30
12"	8.00	4.80	3.70	3.10	6.20	6.20
14"	11.00	7.30	5.00	4.20	8.40	8.40
18"	18.20	12.00	8.40	6.90	13.80	13.80



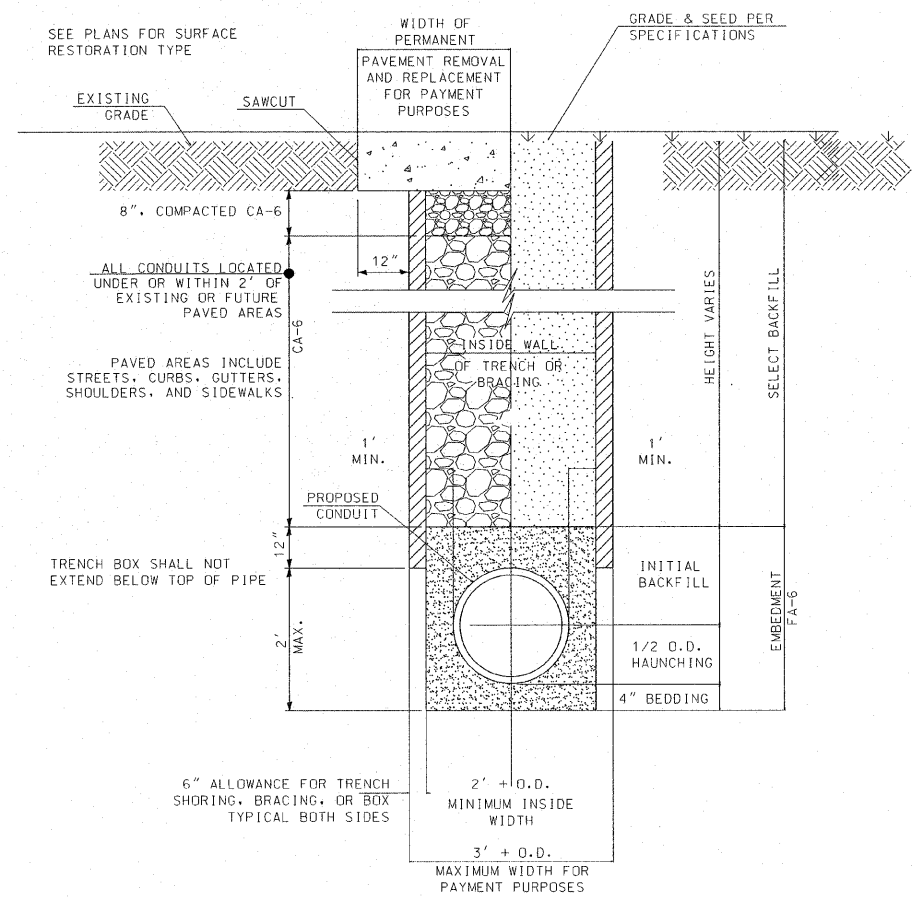
PLAN OF TEES & PLUGS  
Y = SQ. FT. OF THRUST BLOCK AREA  
X = 1/3 x Y OR 8" WHICHEVER IS LARGER



PLAN OF BENDS

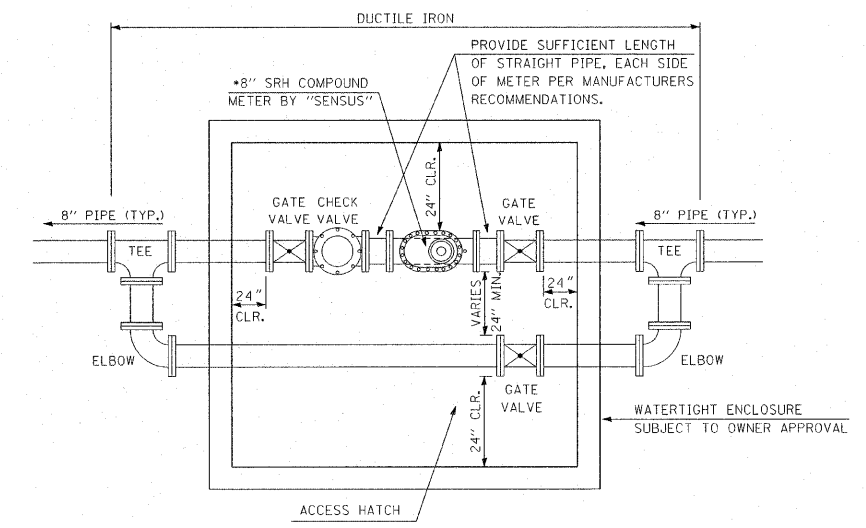
SECTION

NOTE: THRUST BLOCKING AREA = L x D

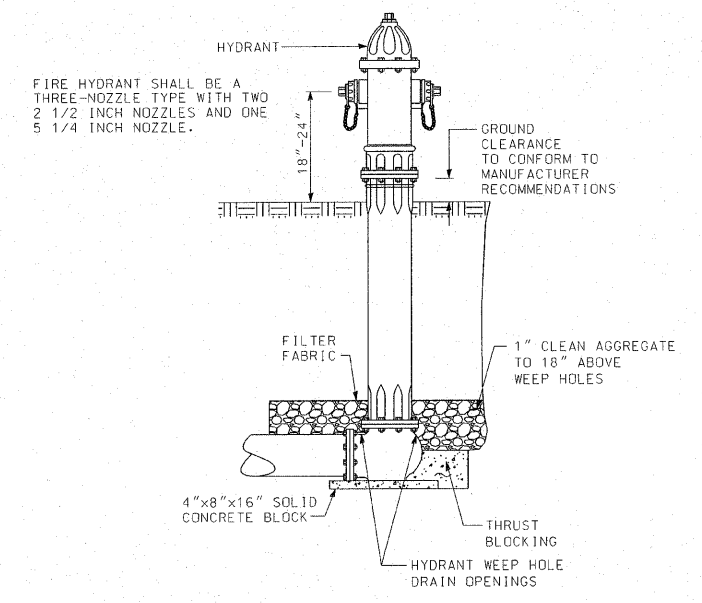


TRENCH DETAIL  
NOT TO SCALE

FOR OPEN-CUT INSTALLATION (IF NECESSARY)



DETAIL OF WATER METER  
NOT TO SCALE



FIRE HYDRANT DETAIL  
NOT TO SCALE

POTABLE WATER SYSTEM NOTES AND SPECIFICATIONS (UNLESS OTHERWISE NOTED ELSEWHERE)

1. WATER MAIN PIPE SHALL BE HDPE - SDR-11, 160 PSI MEETING THE REQUIREMENTS OF ANWA C906, PE3408, WITH JOINTS MEETING THE REQUIREMENTS OF ASTM D2657. (OR EQUIVALENT MATERIALS AND METHODS IN COMPLIANCE WITH THE APPLICABLE ASTM STANDARDS)
2. WATER MAIN PIPE SHALL HAVE A MINIMUM COVER OF 42" FROM THE FINISHED GRADE TO THE TOP OF PIPE.
3. GATE VALVES SHALL BE CONSTRUCTED OF DUCTILE IRON WITH MECHANICAL JOINT OUTLETS AND A RESILIENT SEAT WEDGE SHUT OFF DESIGN.
4. VALVE BOX AND COVER SHALL BE CONSTRUCTED OF CAST IRON. THE VALVE BOX LID SHALL BE STAMPED "WATER".
5. FIRE HYDRANTS SHALL BE MUELLER SUPER CENTURION 200/MODEL A-423 OR EQUIVALENT WITH 5 1/4" MAIN VALVE OPENING, 4 FOOT BURY, 3 WAY OUTLET DESIGN WITH A 6" MECHANICAL JOINT SHOE OUTLET. WITH A RETAINER GLAND ON THE MECHANICAL JOINT OUTLET.
6. ALL FITTINGS (BENDS, TEES, CROSSES, ETC.) SHALL BE CONSTRUCTED OF DUCTILE IRON WITH MECHANICAL JOINT OUTLETS. CONVENTIONAL RETAINING GLANDS ARE ACCEPTED.
7. TRACER WIRE SHALL BE NO. 12 GAUGE RUBBER COATED INSULATED SOLID COPPER WIRE WITH A THREE (3) FOOT LONG COIL AT EACH END.
8. CROSSINGS OF WATER MAINS SHALL BE CONSTRUCTED ACCORDING TO SECTION 41-2.01 OF THE STANDARD SPECIFICATIONS FOR WATER AND SEWER MAIN CONSTRUCTION IN ILLINOIS.
9. THRUST BLOCKING SHALL BE CONSTRUCTED ACCORDING TO SECTION 41-2.09 OF THE STANDARD SPECIFICATIONS FOR WATER AND SEWER MAIN CONSTRUCTION IN ILLINOIS.
10. CHLORINE SHALL BE USED FOR DISINFECTION ACCORDING TO SECTION 41-2.148 OF THE STANDARD SPECIFICATIONS FOR WATER AND SEWER MAIN CONSTRUCTION IN ILLINOIS.
11. HYDROSTATIC TESTING OF ALL NEW WATER MAINS SHALL BE PERFORMED ACCORDING TO SECTION 41-2.13 OF THE STANDARD SPECIFICATIONS FOR WATER AND SEWER MAIN CONSTRUCTION IN ILLINOIS. THE CONTRACTOR IS REQUIRED TO PROVIDE ALL MATERIALS AND MANPOWER NECESSARY FOR TESTING. THE CONTRACTOR SHALL NOTIFY THE VILLAGE OF HARTFORD PUBLIC WORKS DEPARTMENT WHEN THE TESTING TAKES PLACE SO THAT A VILLAGE REPRESENTATIVE CAN BE PRESENT.
12. BACTERIOLOGICAL WATER SAMPLING OF ALL NEW WATER MAINS SHALL BE PERFORMED BY THE CONTRACTOR IN COOPERATION WITH THE HARTFORD PUBLIC WORKS DEPARTMENT.
13. THE HARTFORD PUBLIC WORKS DEPARTMENT SHALL BE RESPONSIBLE FOR TURNING ON THE NEW WATER MAIN EXTENSION AND IT SHALL NOT BE CONSIDERED COMPLETE UNTIL ACCEPTED IN WRITING BY THE VILLAGE OF HARTFORD.

211 North Broadway  
Suite 1900  
St. Louis, Missouri 63102  
ph. (314) 241-8188  
fax. (314) 241-8125



LEWIS AND CLARK  
MEMORIAL TOWER  
HARTFORD, ILLINOIS 62048

SHEET TITLE:  
WATER MAIN DETAILS

DATE	REMARKS

KENNEDY PROJECT NO  
10-02048

ISSUE DATE

SHEET NO.

C-03