

REV. NO.	DATE	REMARKS

KENNEDY PROJECT NO  
KAI 10-02048

ISSUE DATE  
20-DEC-07

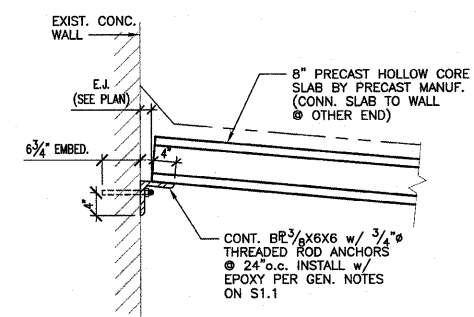
SHEET NO

## S3.2

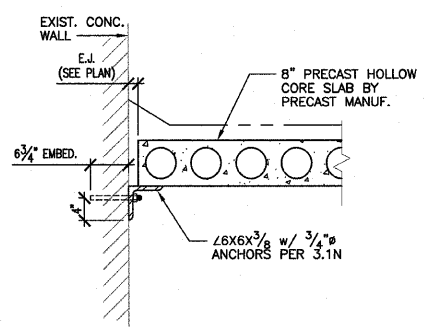
These drawings are the property of SSE Inc. They are furnished as contract documents only. Their use for reproductions for shop drawings is permitted, except for use as anchor setting plans, if approved by the Engineer, but at the users risk. The user shall remove all seals, firm names, titles, and sheet numbers, and shall assume full responsibility for their accuracy, completeness and status.

The seal(s) and signature(s) apply only to the document to which they are affixed, and expressly disclaim any responsibility for all other plans, specifications, estimates, reports or other documents or instruments relating to or intended to be used for any part or parts of the architectural or engineering project.

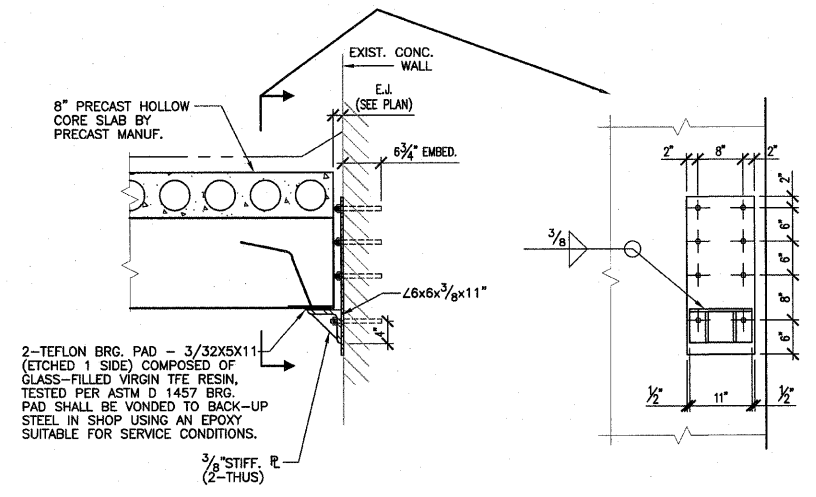
SSE PROJECT NO: 02111



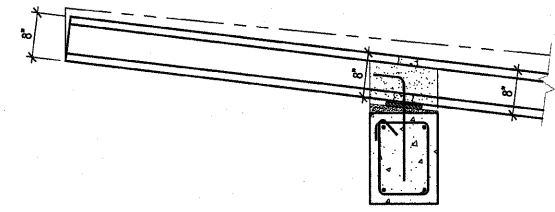
3.2C 3/4"=1'-0



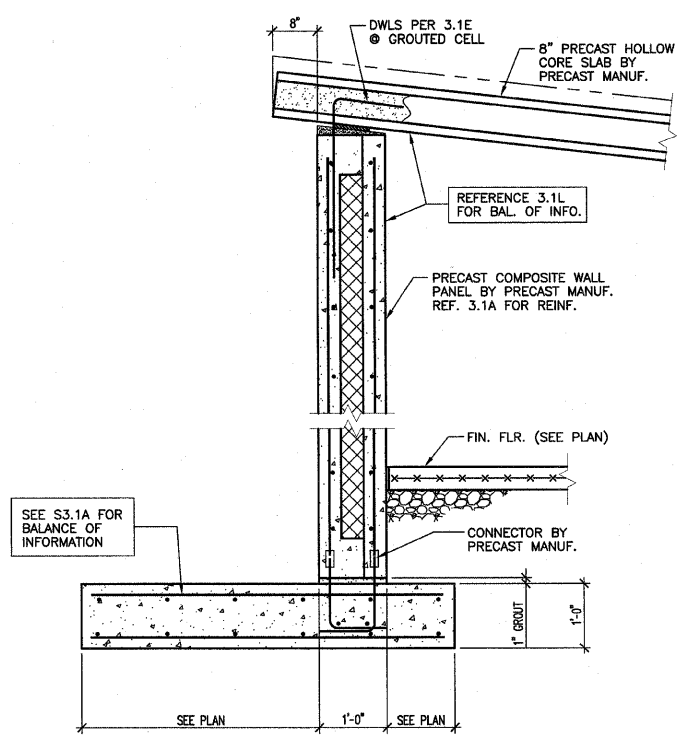
3.2D 3/4"=1'-0



3.2E 3/4"=1'-0



3.2F 3/4"=1'-0



3.2B 3/4"=1'-0