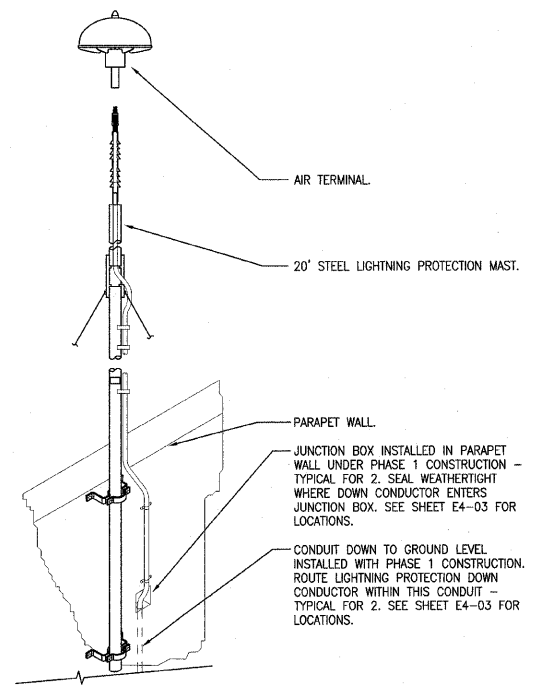
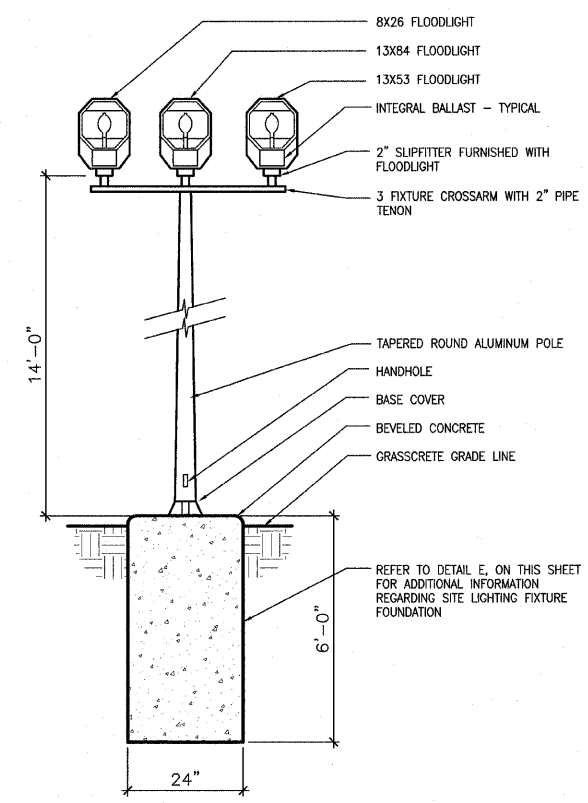


F.A. RTE.	SECTION	COUNTY	TOTAL SHEETS	SHEET NO.
	03-00026-00-PK	MADISON	51	47
	06-00026-01-MS	97331		

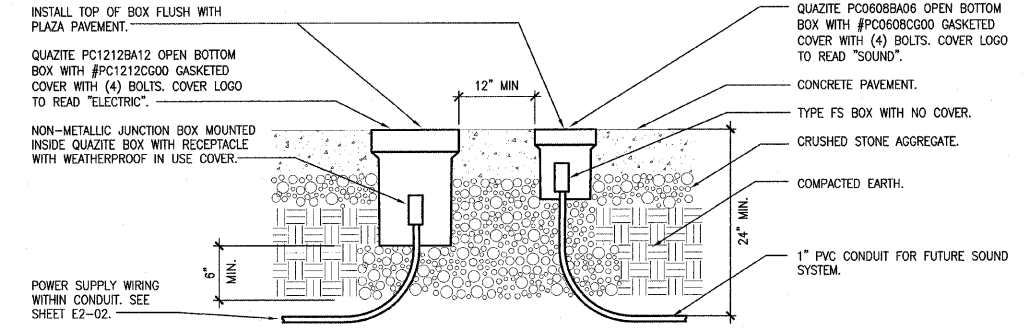
FEDERAL AID PROJECT
 QUAZITE PC0608BA06 OPEN BOTTOM BOX WITH #PC0608CG00 GASKETED COVER WITH (4) BOLTS. COVER LOGO TO READ "SOUND".
 CONCRETE PAVEMENT.
 TYPE FS BOX WITH NO COVER.
 CRUSHED STONE AGGREGATE.
 COMPACTED EARTH.
 1" PVC CONDUIT FOR FUTURE SOUND SYSTEM.



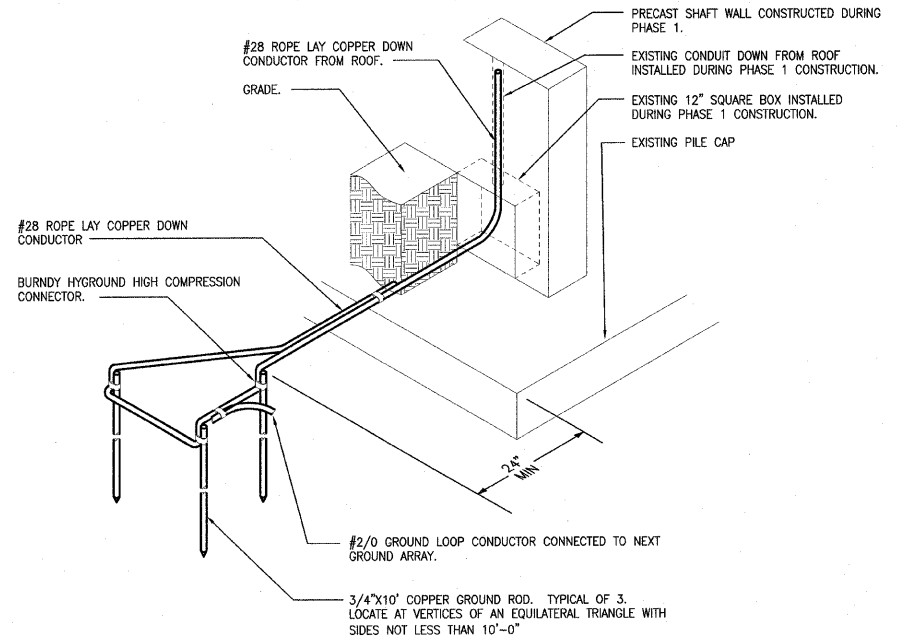
F LIGHTNING PROTECTION MOUNTING
 NO SCALE



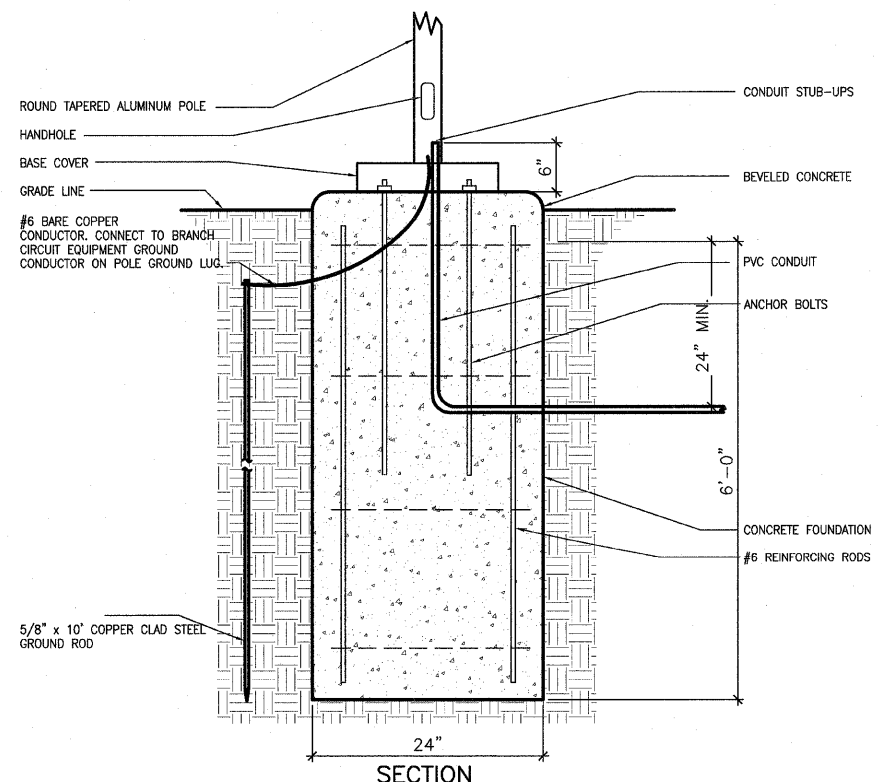
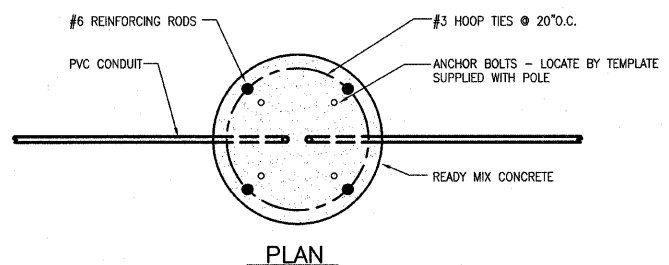
D FLOODLIGHTING FIXTURE "TYPE M"
 NO SCALE



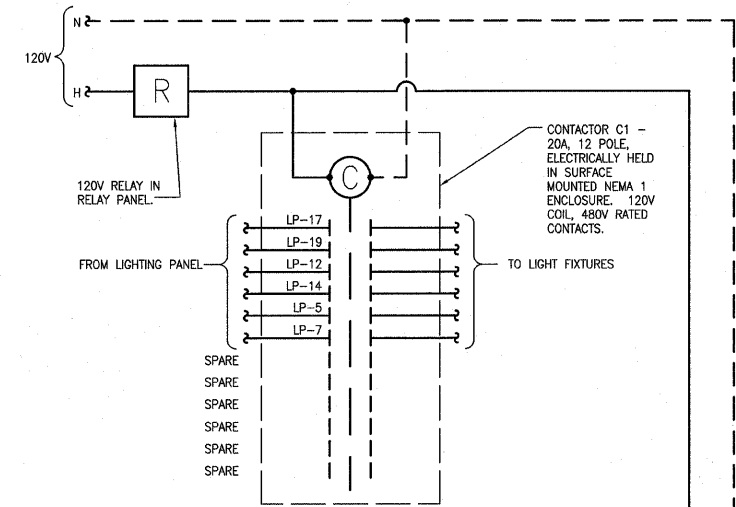
A BOXES AT PLAZA
 NO SCALE



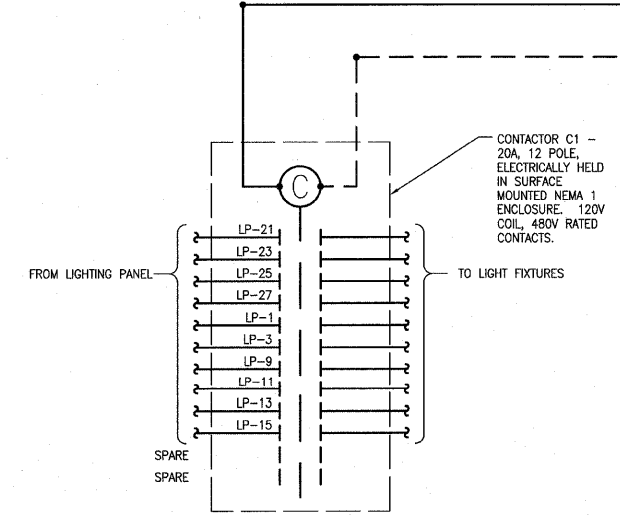
G LIGHTNING PROTECTION GROUND ARRAY
 NO SCALE



E SITE LIGHTING FIXTURE FOUNDATION DETAIL
 NO SCALE



B CONTACTOR C1 DETAIL
 NO SCALE



C CONTACTOR C2 DETAIL
 NO SCALE

211 N. Broadway
 Suite 1900
 St. Louis, MO
 63102
 (314) 241-8188
 (314) 241-0125
 FAX

KAI

LEWIS AND CLARK MEMORIAL TOWER
VILLAGE OF HARTFORD, ILLINOIS
 HARTFORD, ILLINOIS 62049

SHEET TITLE:
ELECTRICAL DETAILS

REV. NO.	REMARKS	DATE

KENNEDY PROJECT NO
KAI# 10-02048

ISSUE DATE
12-JULY-05

SHEET NO

E6-01