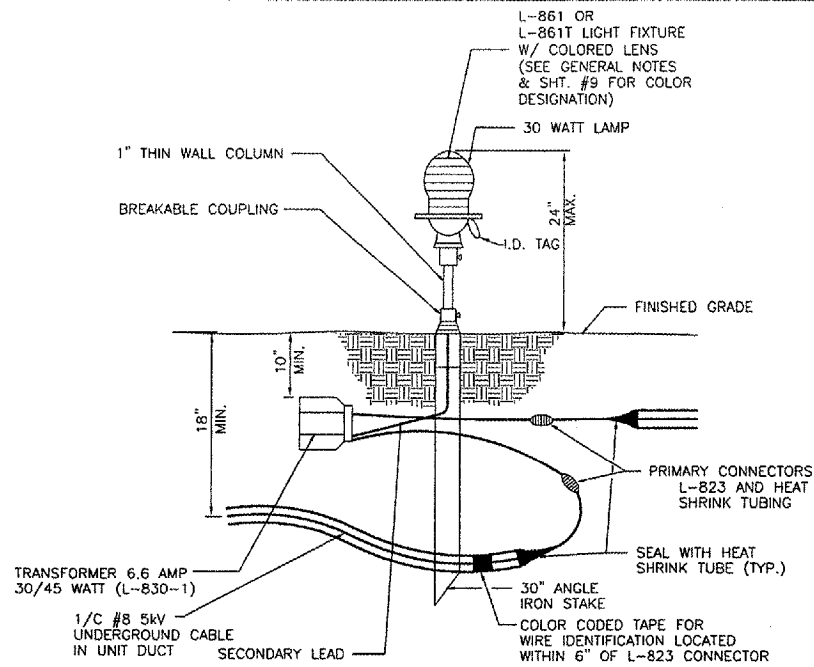
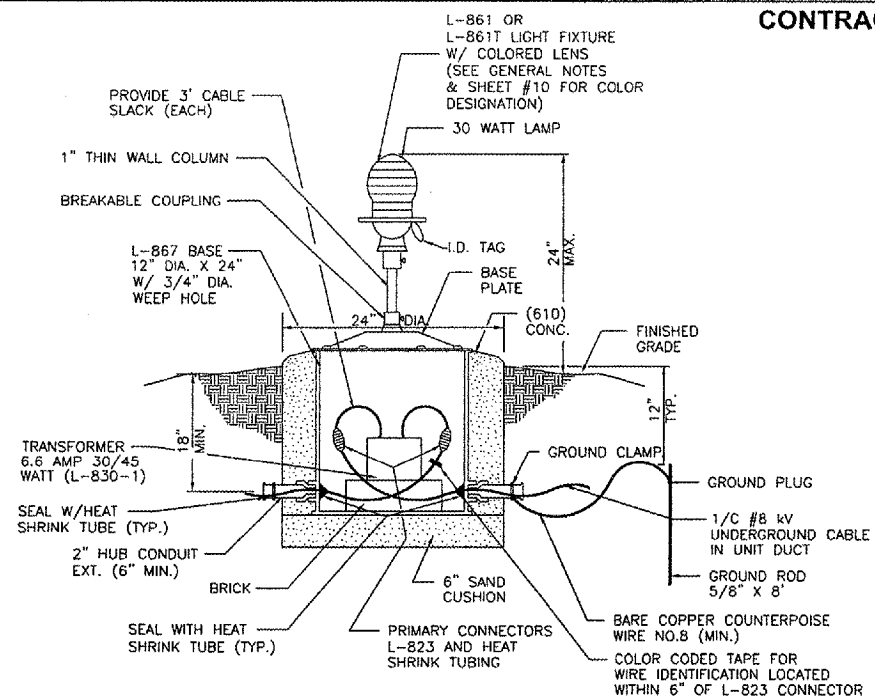


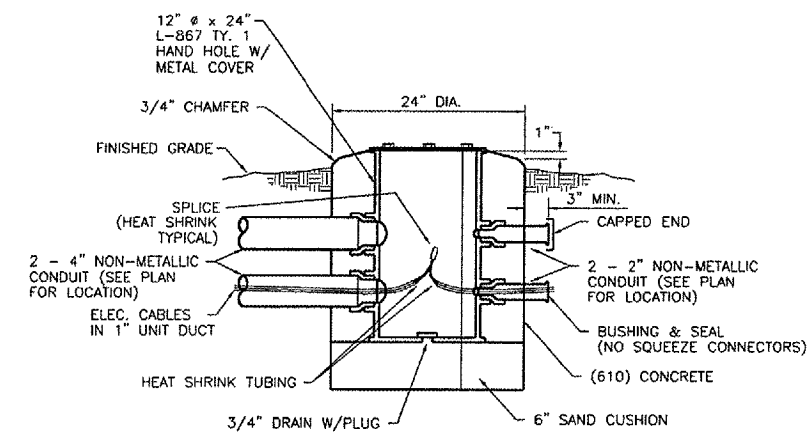
R.E.I.L.S. DETAIL
NOT TO SCALE



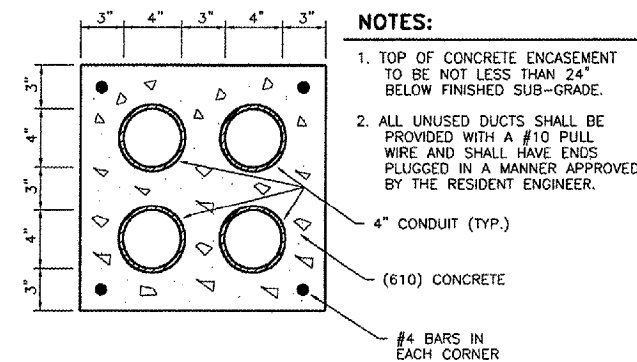
MEDIUM INTENSITY LIGHT STAKE MOUNTED
NOT TO SCALE



MEDIUM INTENSITY LIGHT BASE MOUNTED
NOT TO SCALE

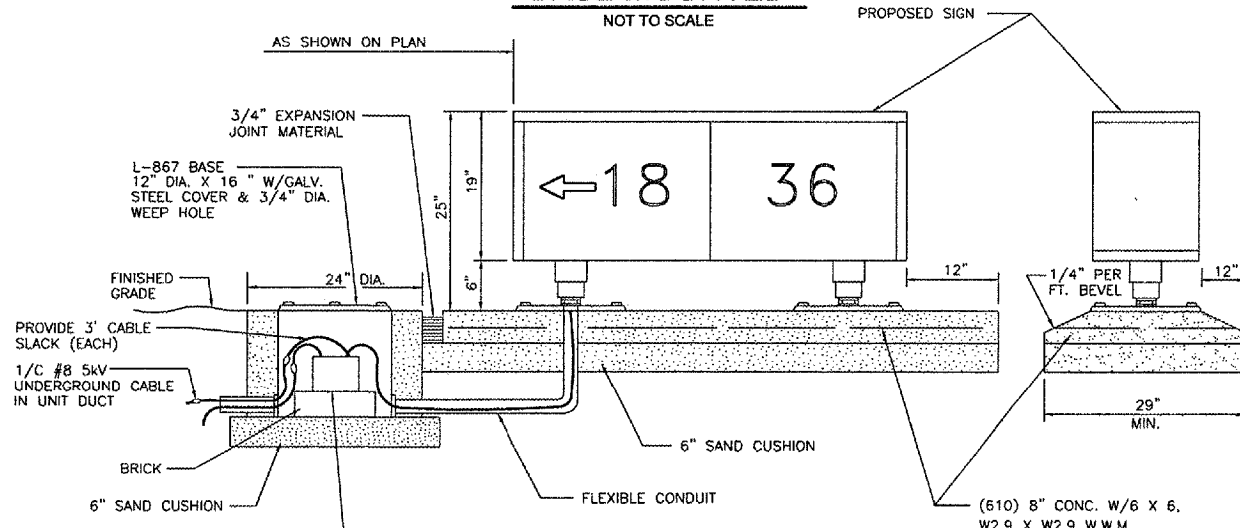


HAND HOLE DETAIL
NOT TO SCALE



CONCRETE ENCASEMENT
NOT TO SCALE

- NOTES:**
1. TOP OF CONCRETE ENCASEMENT TO BE NOT LESS THAN 24" BELOW FINISHED SUB-GRADE.
 2. ALL UNUSED DUCTS SHALL BE PROVIDED WITH A #10 PULL WIRE AND SHALL HAVE ENDS PLUGGED IN A MANNER APPROVED BY THE RESIDENT ENGINEER.



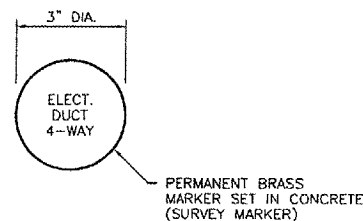
RUNWAY EXIT AND TAXIWAY GUIDANCE SIGN DETAIL
NOT TO SCALE

NOTE: (TAXIWAY GUIDANCE & RUNWAY SIGNS)

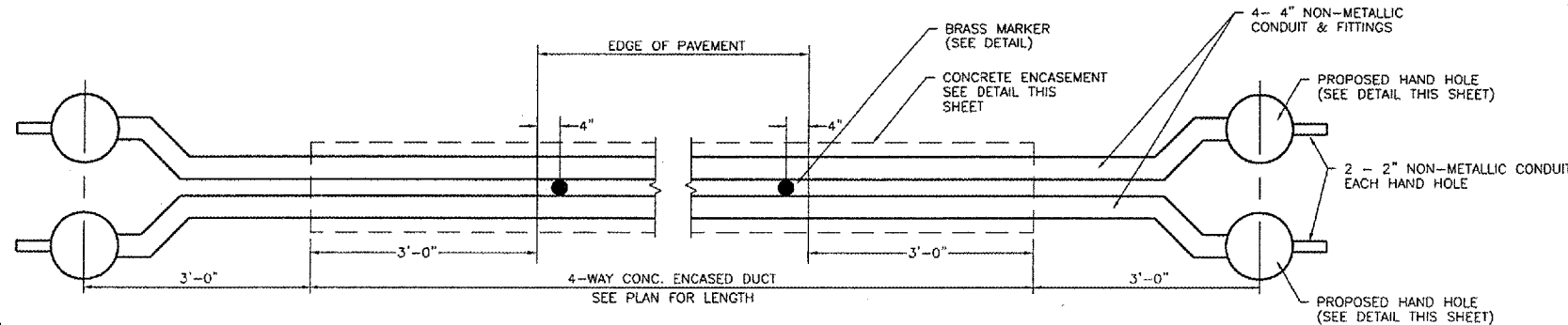
1. FOR TAXIWAY GUIDANCE & RUNWAY EXIT SIGN DATA SEE ELECTRICAL PLAN & DETAILS SHEET NO. 10

GENERAL NOTES:

1. BREAKING GROOVE OR BREAKABLE COUPLINGS SHALL NOT EXCEED 1-1/2" ABOVE FINISHED GRADE OR BASE COVER.
2. COPPER CLAD GR. RODS 5/8" DIA. X 8'-0" LG. SHALL BE DRIVEN 1'-0" BELOW FINISHED GRADE & COUNTERPOISE CABLE SECURELY ATTACHED TO SAME GROUND RODS SHALL BE SPACED MAX. OF 1000' APART AND LOCATED NEAR FIXTURE.
3. HIGH AND LOW VOLTAGE CABLE SHALL BE RUN IN SEPARATE UNDERGROUND DUCTS.
4. WHEN HIGH AND LOW VOLTAGE CABLES ARE IN A HANDHOLE OR MANHOLE, PROTECTION SHALL BE MADE AROUND THE HIGH VOLTAGE CABLE. THE METHOD OF PROTECTION SHALL BE BY SPLIT DUCT ANCHOR CLIPPED TO THE WALL.
5. L-861 SPECIFICATION DENOTES RUNWAY LIGHT FIXTURE. L-861T DENOTES TAXIWAY LIGHT FIXTURE.



BRASS PAVEMENT MARKER DETAIL
NOT TO SCALE



4-WAY CONCRETE ENCASED DUCT
NOT TO SCALE