

STATE OF ILLINOIS
DEPARTMENT OF TRANSPORTATION

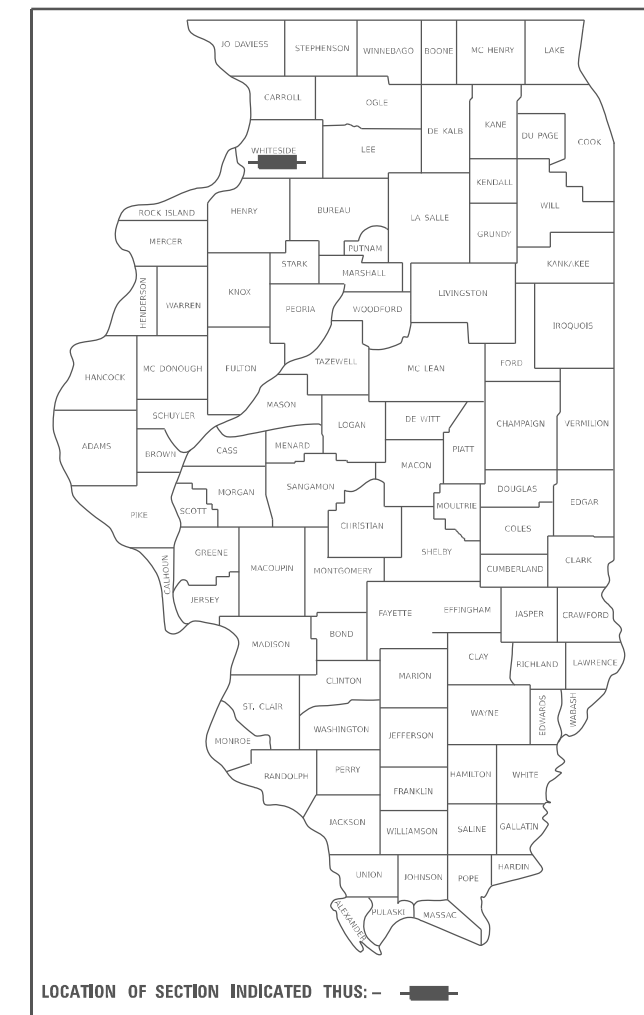
**PROPOSED
HIGHWAY PLANS**

FAS 1197 (US 30)
SECTION: (110BR-1)BP
PROJECT: STP-JB49(030)
TYPE of IMPROVEMENT: BRIDGE PAINTING
WHITESIDE COUNTY

C-92-188-24

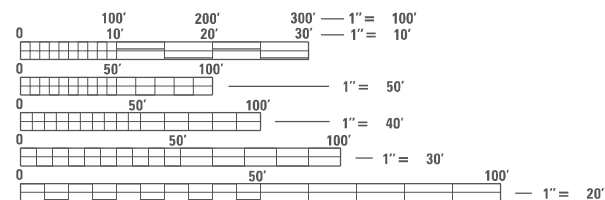
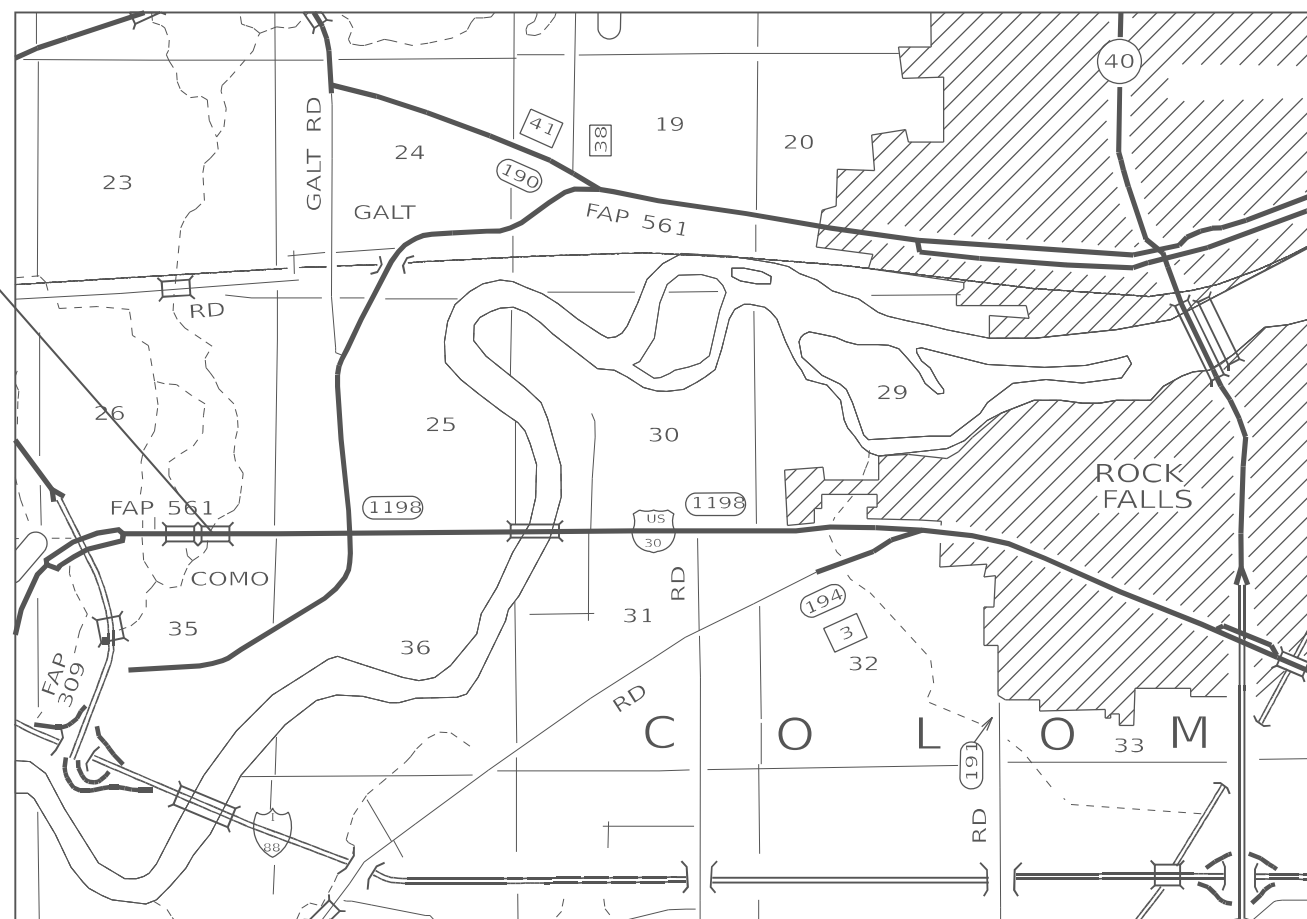
F.A.S. RTE.	SECTION	COUNTY	TOTAL SHEETS	SHEET NO.
1197	(110BR-1)BP	WHITESIDE	7	1
		ILLINOIS	CONTRACT NO. 64T91	

D-92-065-25



FOR INDEX OF SHEETS, SEE SHEET NO. 2
FOR STATE STANDARDS, SEE SHEET NO. 2

SN 098-0033



FULL SIZE PLANS HAVE BEEN PREPARED USING STANDARD ENGINEERING SCALES. REDUCED SIZED PLANS WILL NOT CONFORM TO STANDARD SCALES. IN MAKING MEASUREMENTS ON REDUCED PLANS, THE ABOVE SCALES MAY BE USED.

J.U.L.I.E.
JOINT UTILITY LOCATION INFORMATION FOR EXCAVATION
1-800-892-0123
OR 811

PROJECT ENGINEER: DAVID DOSS (815) 284-5416
PROJECT MANAGER: DERRICK LOPEZ (815) 284-5398

CONTRACT NO. 64T91

STATE OF ILLINOIS
DEPARTMENT OF TRANSPORTATION

SUBMITTED November 21 20 24

Julia Thompson
REGIONAL ENGINEER

January 31 20 25
Scott A. [Signature]
ENGINEER OF DESIGN AND ENVIRONMENT

January 31 20 25
[Signature]
DIRECTOR OF HIGHWAYS PROJECT IMPLEMENTATION

**PRINTED BY THE AUTHORITY
OF THE STATE OF ILLINOIS**

INDEX OF SHEETS

- 1 COVER SHEET
- 2 INDEX OF SHEETS / STATE STANDARDS / GENERAL NOTES
- 3 SUMMARY OF QUANTITIES
- 4 EXISTING ROADWAY TYPICAL
- 5 STAGING TYPICALS (SN 081-0074)
- 6-7 TRAFFIC CONTROL & PROTECTION, STANDARD 701321(SPECIAL) FOR SN 098-0033

STATE STANDARDS

- 701006-05 OFF-ROAD OPERATIONS, 2L, 2W, 15' (4.5m) TO 24" (600mm) FROM PAVEMENT EDGE
- 701011-04 OFF-ROAD MOVING OPERATIONS, 2L, 2W, DAY ONLY
- 701201-05 LANE CLOSURE, 2L, 2W, DAY ONLY, FOR SPEEDS > 45 MPH
- 701301-04 LANE CLOSURE, 2L, 2W, SHORT TIME OPERATIONS
- 701901-10 TRAFFIC CONTROL DEVICES
- 704001-08 TEMPORARY CONCRETE BARRIER
- 720011-01 METAL POSTS FOR SIGNS, MARKERS & DELINEATORS
- 728001-01 TELESCOPING STEEL SIGN SUPPORT
- 729001-01 APPLICATIONS OF TYPES A & B METAL POSTS (FOR SIGNS & MARKERS)

GENERAL NOTES

LOCATION 1- SN 098-0033

THE CONTRACTOR SHALL SEED ALL DISTURBED AREAS WITHIN THE PROJECT LIMITS. SEEDING CLASS 2A SHALL BE USED. THIS WORK WILL BE INCLUDED IN THE CONTRACT UNIT PRICE PER LUMP SUM FOR CLEANING AND PAINTING STEEL BRIDGE NO. 1.

FERTILIZER SHALL BE APPLIED TO ALL DISTURBED AREAS AND INCORPORATED INTO THE SEEDBED PRIOR TO SEEDING OR PLACEMENT OF SOD AT THE RATE SPECIFIED IN SECTIONS 250 AND 252 OF THE STANDARD SPECIFICATIONS. THIS WORK SHALL BE INCLUDED IN THE COST OF CLEANING AND PAINTING STEEL BRIDGE NO. 1.

MULCH METHOD II SHALL BE APPLIED OVER ALL SEEDED AREAS. THIS SHALL BE INCLUDED IN THE COST OF THE CLEANING AND PAINTING STEEL BRIDGE NO. 1.

LOCATION 1 SN 098-0033

ALL BORROW/WASTE/USE SITES MUST BE APPROVED BY THE DEPARTMENT PRIOR TO REMOVING ANY MATERIAL FROM THE PROJECT OR INITIATING ANY EARTHMOVING ACTIVITIES, INCLUDING TEMPORARY STOCKPILING OUTSIDE THE LIMITS OF CONSTRUCTION.

TEMPORARY IMPACT ATTENUATORS WILL BE MEASURED AS EACH FOR EACH ATTENUATOR SUPPLIED ON THE JOB AS SPECIFIED IN THE PLANS, AND SHALL INCLUDE THE COST OF RENTING/OWNING THE ATTENUATOR FOR THE TIME REQUIRED ON THE JOB PLUS HAULING TO AND FROM THE PROJECT SITE, AS WELL AS ONE PLACEMENT AND REMOVAL FROM THE ROADWAY. THIS SHALL BE PAID FOR AT THE CONTRACT UNIT PRICE PER EACH FOR IMPACT ATTENUATORS, TEMPORARY OF THE TYPE SPECIFIED.

RELOCATE TEMPORARY IMPACT ATTENUATOR WILL BE PAID FOR AS EACH AND WILL BE PAID FOR EACH TIME THE ATTENUATOR IS REQUIRED BY STAGING TO BE PICKED UP AND MOVED TO A DIFFERENT LOCATION ON THE PROJECT, WHETHER IT IS TO ANOTHER LOCATION ON THE ROADWAY OR TO A STORAGE/STAGING LOCATION FOR THE PROJECT. THIS SHALL BE PAID FOR AT THE CONTRACT UNIT PRICE PER EACH FOR IMPACT ATTENUATORS, RELOCATE OF THE TYPE SPECIFIED.

THIS WORK SHALL BE DONE IN ACCORDANCE WITH SECTION 704 OF THE STANDARD SPECIFICATIONS. TEMPORARY CONCRETE BARRIER WILL BE MEASURED IN FEET ALONG THE CENTERLINE OF THE BARRIER AND SHALL INCLUDE THE COST OF RENTING/OWNING THE BARRIER FOR THE TIME REQUIRED ON THE JOB PLUS HAULING TO AND FROM THE PROJECT SITE, AS WELL AS ONE PLACEMENT AND REMOVAL FROM THE ROADWAY IN ACCORDANCE WITH SECTION 704 OF THE STANDARD AND SPECIFICATION. THIS SHALL BE PAID FOR AT THE CONTRACT UNIT PRICE PER FOOT FOR TEMPORARY CONCRETE BARRIER.

RELOCATE TEMPORARY CONCRETE BARRIER WILL BE PAID FOR IN FEET ALONG THE CENTERLINE OF THE BARRIER, AND WILL BE PAID FOR EACH TIME THE BARRIER IS REQUIRED BY STAGING TO BE PICKED UP AND MOVED TO A DIFFERENT LOCATION ON THE PROJECT, WHETHER IT IS TO ANOTHER LOCATION ON THE ROADWAY OR TO A STORAGE/STAGING LOCATION FOR THE PROJECT. THIS SHALL BE PAID FOR AT THE CONTRACT UNIT PRICE PER FOOT FOR RELOCATE TEMPORARY CONCRETE BARRIER.

THE CONTRACTOR SHALL BE RESPONSIBLE FOR PROTECTING UTILITY PROPERTY DURING CONSTRUCTION OPERATIONS AS OUTLINED IN ARTICLE 107.31 OF THE STANDARD SPECIFICATIONS. A MINIMUM OF 48 HOURS ADVANCE NOTICE IS REQUIRED FOR NON-EMERGENCY WORK. THE JULIE NUMBER IS 800-892-0123.

THE SSPC OPI & OP2 CONTRACT CERTIFICATIONS WILL BE REQUIRED FOR THIS CONTRACT.

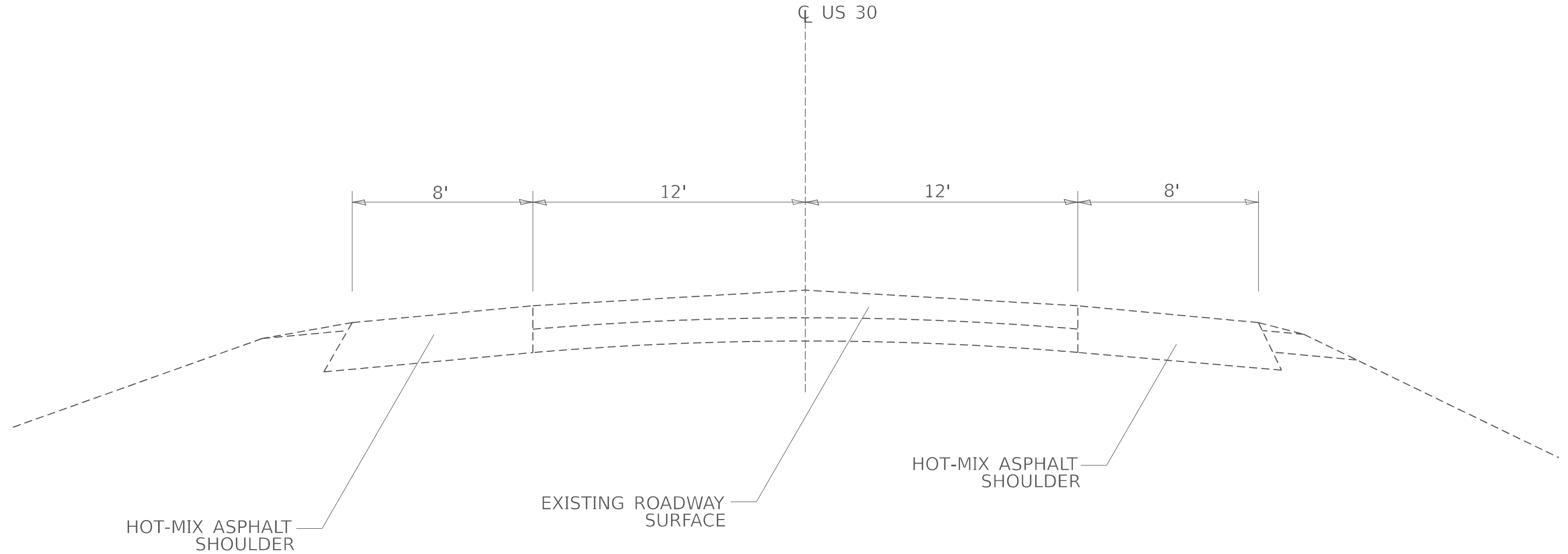
AIR MONITORS

A MINIMUM OF 2 AIR MONITORS WILL BE REQUIRED TO MONITOR ABRASIVE BLASTING OPERATIONS, SEE SPECIAL PROVISION FOR "CONTAINMENT AND DISPOSAL OF LEAD PAINT CLEANING RESIDUES". THE SSPC OPI & OP2 CONTRACT CERTIFICATIONS WILL BE REQUIRED FOR THIS CONTRACT. THE CONTRACTOR SHALL SEED ALL DISTURBED AREAS WITHIN THE PROJECT LIMITS. SEEDING CLASS 2A SHALL BE USED. THIS WORK WILL BE INCLUDED IN THE CONTRACT UNIT PRICE PER LUMP SUM FOR CLEANING AND PAINTING STEEL BRIDGE NO. 1. FERTILIZER SHALL BE APPLIED TO ALL DISTURBED AREAS AND INCORPORATED INTO THE SEEDBED PRIOR TO SEEDING OR PLACEMENT OF SOD AT THE RATE SPECIFIED IN SECTIONS 250 AND 252 OF THE STANDARD SPECIFICATIONS. THIS WORK SHALL BE INCLUDED IN THE COST OF CLEANING AND PAINTING STEEL BRIDGE NO. 1. MULCH METHOD II SHALL BE APPLIED OVER ALL SEEDED AREAS. THIS SHALL BE INCLUDED IN THE COST OF THE CLEANING AND PAINTING STEEL BRIDGE NO. 1. ALL BORROW/WASTE/USE SITES MUST BE APPROVED BY THE DEPARTMENT PRIOR TO REMOVING ANY MATERIAL FROM THE PROJECT OR INITIATING ANY EARTHMOVING ACTIVITIES, INCLUDING TEMPORARY STOCKPILING OUTSIDE THE LIMITS OF CONSTRUCTION. THE CONTRACTOR SHALL BE RESPONSIBLE FOR PROTECTING UTILITY PROPERTY DURING CONSTRUCTION OPERATIONS AS OUTLINED IN ARTICLE 107.31 OF THE STANDARD SPECIFICATIONS. A MINIMUM OF 48 HOURS ADVANCE NOTICE IS REQUIRED FOR NON-EMERGENCY WORK. THE JULIE NUMBER IS 800-892-0123.

MODEL: Default
 FILE: \\fs1-01\dotnet\paw_bentley.com\p\indot\documents\DOT 0_ces\District_2\ORR Projects\Operations\Bridges_Section\District_2_Cover\WhiteSide\098-0033\64T91_1_CADD\64T91_1.plt-cover.dgn

USER NAME = David.Doss	DESIGNED -	REVISED -	STATE OF ILLINOIS DEPARTMENT OF TRANSPORTATION	INDEX OF SHEETS, STATE STANDARDS & GENERAL NOTES		F.A.S. RTE.	SECTION	COUNTY	TOTAL SHEETS	SHEET NO.					
PLOT SCALE = \$SCALE\$	CHECKED -	REVISED -		SCALE:	SHEET	OF	SHEETS	STA.	TO	STA.	1197	(110BR-1)BP	WHITESIDE	7	2
PLOT DATE = 11/19/2024	DATE -	REVISED -		CONTRACT NO. 64T91											
										ILLINOIS		FED. AID PROJECT			

EXISTING TYPICAL SN 098-0033



MODEL: Default
 FILE: \\bls-cw-beadley.com\P\INDOT\Documents\DOT 0_csr\District 2\ORBD Project\Operations\Bridges_Section\District 2_Counties\Whiteside\098-0033\64T91\CADD\64T91-1-1r-cover.dgn

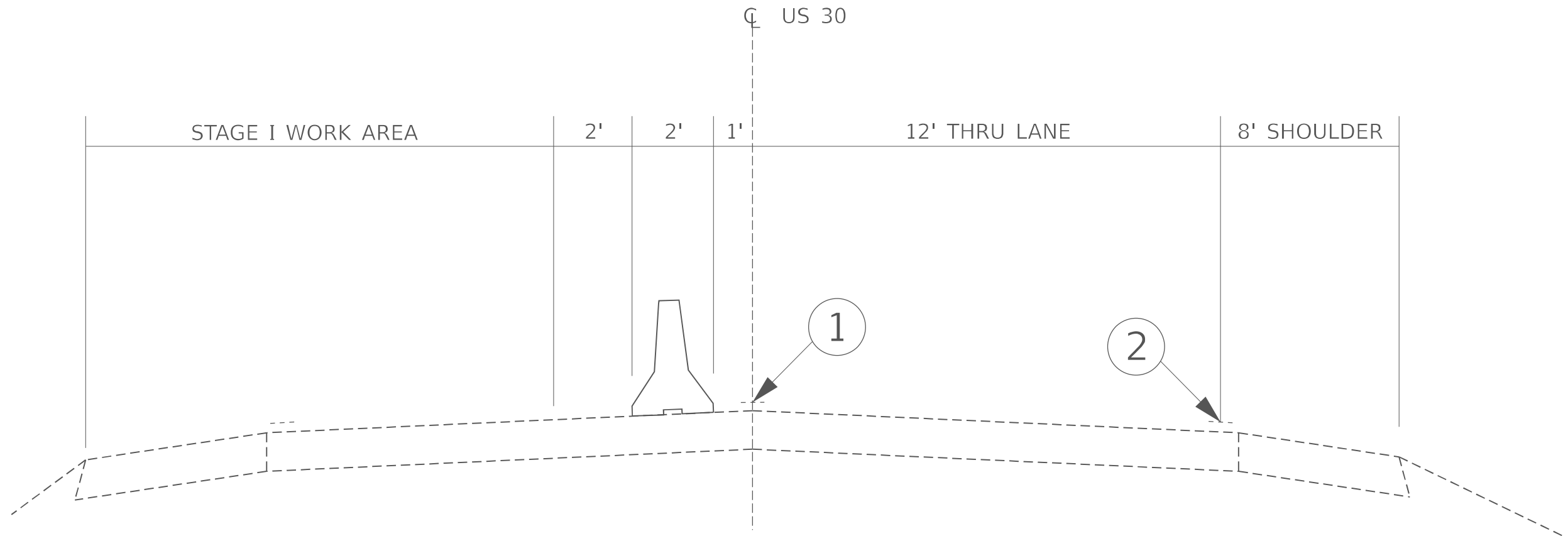
USER NAME = David.Doss	DESIGNED -	REVISED -
	DRAWN -	REVISED -
PLOT SCALE = \$SCALE\$	CHECKED -	REVISED -
PLOT DATE = 10/28/2024	DATE -	REVISED -

STATE OF ILLINOIS
DEPARTMENT OF TRANSPORTATION

EXISTING TYPICAL SN 098-0033			
SCALE:	SHEET	OF	SHEETS
	STA.	TO	STA.

F.A.S. RTE.	SECTION	COUNTY	TOTAL SHEETS	SHEET NO.
1197	(110BR-1)BP	WHITESIDE	7	4
			CONTRACT NO. 64T91	
		ILLINOIS	FED. AID PROJECT	

STAGING TYPICAL SN 098-0033



- ① TEMPORARY PAVEMENT MARKING TAPE SHALL BE PLACED THROUGHOUT THE TAPER AND ALONG-SIDE THE WORK AREA. THE RIGHT EDGE LINE SHALL BE WHITE AND THE LEFT EDGE LINE SHALL BE YELLOW.
- ② EXISTING PAVEMENT MARKING LINE

MODEL: Default
 FILE: \\bls-cw-beadley.com\P\INDOT\Documents\DOT 0_csr\District 2\ORRD Project\Operations\Bridges_Section\District 2_Coverage\WhiteSide\098-0033\64T91_CADD\064T91-1-1r-cover.cgm

USER NAME = David.Doss	DESIGNED -	REVISED -
	DRAWN -	REVISED -
PLOT SCALE = \$SCALE\$	CHECKED -	REVISED -
PLOT DATE = 10/28/2024	DATE -	REVISED -

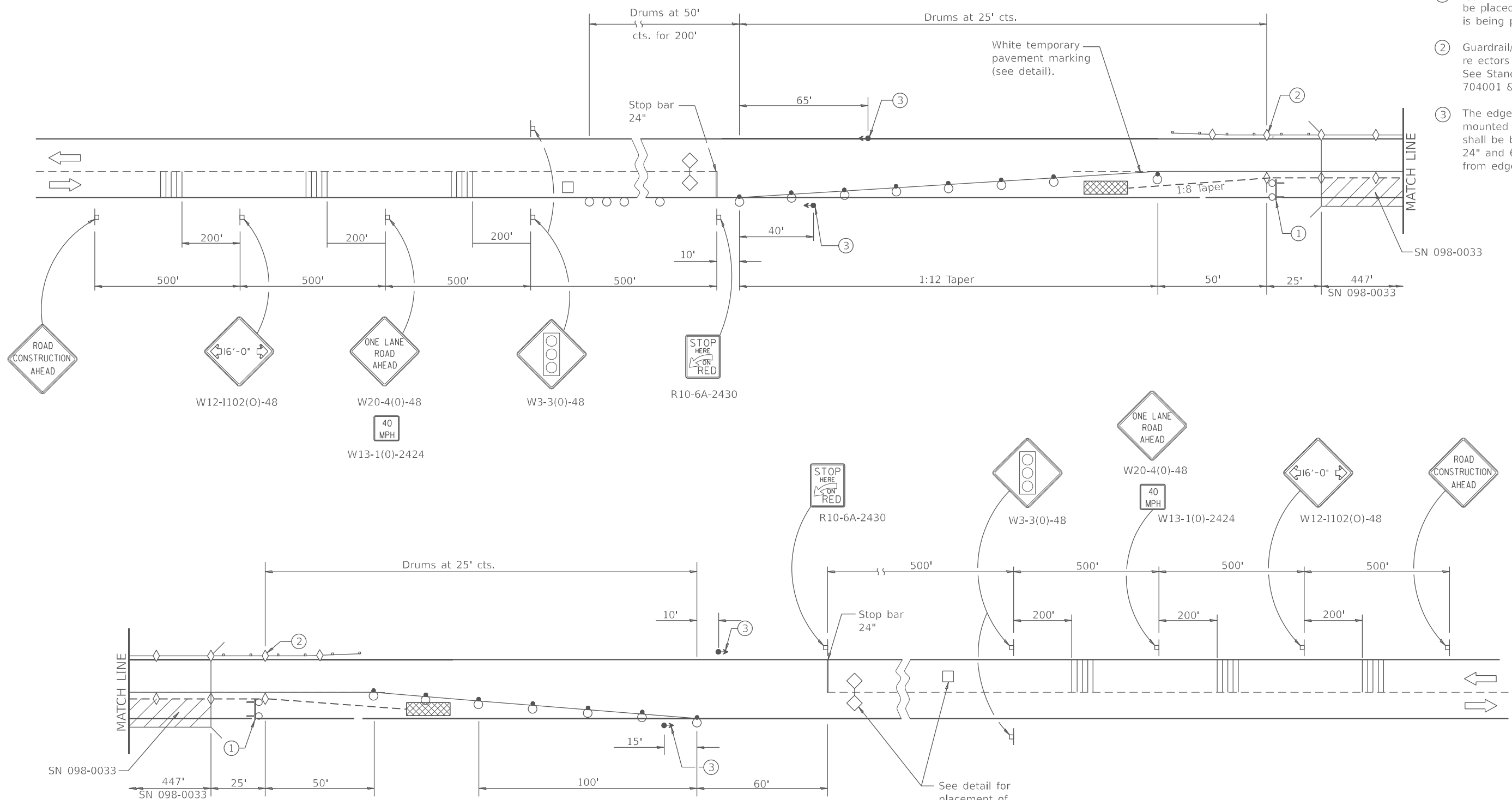
STATE OF ILLINOIS
DEPARTMENT OF TRANSPORTATION

STAGING TYPICAL
SN 098-0033

SCALE: SHEET OF SHEETS STA. TO STA.

F.A.S. RTE.	SECTION	COUNTY	TOTAL SHEETS	SHEET NO.
1197	(110BR-1)BP	WHITESIDE	7	5
CONTRACT NO. 64T91				
ILLINOIS FED. AID PROJECT				

- ① Type III barricade to be placed when no work is being performed.
- ② Guardrail/barrier wall re-ectors at 25' cts. See Standards 704001 & 782006.
- ③ The edge of the post mounted signal head shall be between 24" and 6' from edge of shoulder.



SYMBOLS

- Work area
- Sign
- Type III barricade with flashing lights
- Traffic signal
- Drum with steady burning bi-directional light
- Temporary concrete barrier
- Temporary rumble strip (when specified)
- Double vertical panel (see detail)
- Detector loops
- Impact attenuator
- Crystal, bidirectional guardrail/barrier wall re-ector
- Drum

MODEL: Default
 FILE: \\na11c:\p\111\dot\documents\DOT_0_ces\District_2\ORRD Projects\Operations\Bridges_Section\District_2_Coverage\Whiteside\098-0033\64T91_1.CADD\064T91_1.plt-cover.cgm

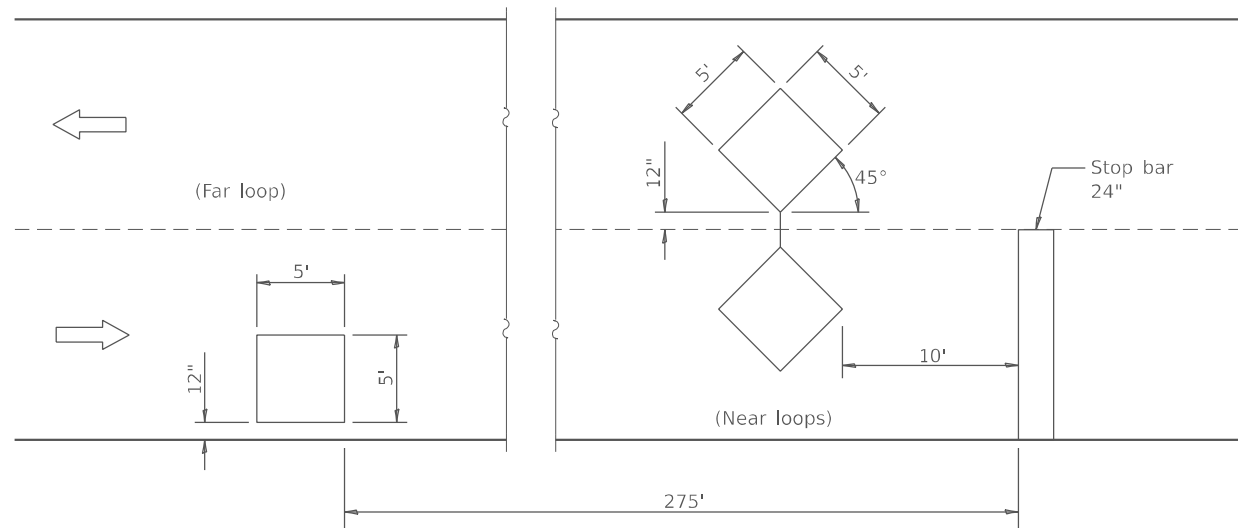
USER NAME = David.Doss	DESIGNED -	REVISED -
	DRAWN -	REVISED -
PLOT SCALE = \$SCALE\$	CHECKED -	REVISED -
PLOT DATE = 10/28/2024	DATE -	REVISED -

**STATE OF ILLINOIS
DEPARTMENT OF TRANSPORTATION**

**TRAFFIC CONTROL & PROTECTION, STANDARD 701321 (SPECIAL)
FOR LOCATION SN 098-0033**

F.A.S. RTE. 1197	SECTION (110BR-1)BP	COUNTY WHITESIDE	TOTAL SHEETS 7	SHEET NO. 6
			CONTRACT NO. 64T91	
ILLINOIS FED. AID PROJECT				

SCALE: SHEET OF SHEETS STA. TO STA.

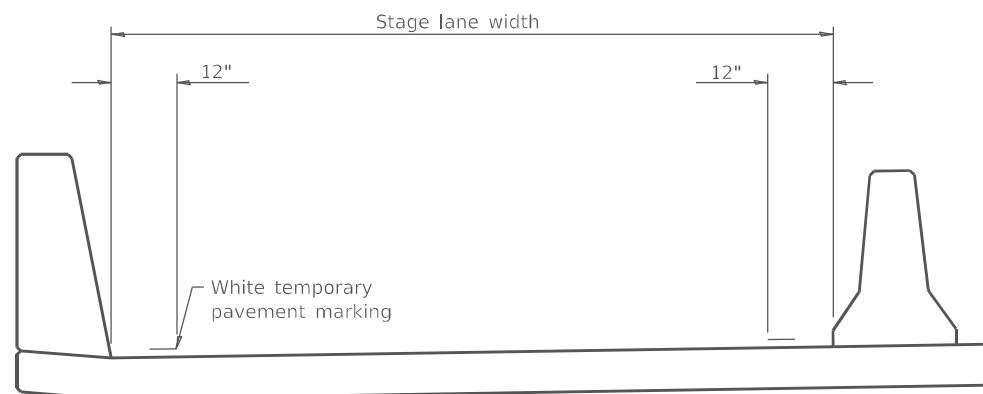


DETECTOR LOOPS

TRAFFIC SIGNAL SEQUENCE						
PHASE	A			B		
INTERVAL	1	2	3	4	5	6
NORTHBOUND OR EASTBOUND	G	Y	R	R	R	R
SOUTHBOUND OR WESTBOUND	R	R	R	G	Y	R

TEMPORARY CONCRETE BARRIER	
NORMAL POSTED SPEED	TAPER RATIO
40 mph AND ABOVE	12:1
BELOW 40 mph	8:1

ADVISORY SPEED LIMIT	
NORMAL POSTED SPEED	ADVISORY SPEED
55 - 45 mph	40 mph
40 mph	35 mph
35 - 30 mph	30 mph



TEMPORARY PAVEMENT MARKING

PAVEMENT MARKINGS

ALL TEMPORARY PAVEMENT MARKING SHALL BE, PAVEMENT MARKING TAPE, TYPE IV 4" AND THE MATERIALS SHALL BE ACCORDING TO ARTICLE 1095.06 OF THE STANDARD AND SPECIFICATIONS. THE CONTRACTOR SHALL INSTALL, MAINTAIN AND REMOVE ALL TEMPORARY PAVEMENT MARKING TAPE. THIS WORK SHALL NOT BE PAID SEPERATELY AND SHALL BE INCLUDED IN THE COST OF THE "TRAFFIC CONTROL AND PROTECTION STANDARD 701321 (SPECIAL)".

ALL CONFLICTING PAVEMENT MARKINGS AND RAISED REFLECTIVE PAVEMENT MARKERS SHALL BE PROTECTED PRIOR TO COVERING WITH PAVEMENT MARKING BLACKOUT TAPE, 4". PAVEMENT MARKING BLACKOUT TAPE, 4", SHALL EXTEND A MINIMUM OF 2 INCHES BEYOND THE EXISTING MARKINGS OR REFLECTORS IN ALL DIRECTIONS. THIS WORK SHALL INCLUDE PROTECTING EXISTING PAVEMENT MARKINGS AND RAISED REFLECTIVE PAVEMENT MARKERS, INSTALLING, MAINTAINING AND REMOVING BLACKOUT TAPE. THIS WORK SHALL NOT BE PAID SEPERATELY AND SHALL BE INCLUDED IN THE COST OF THE "TRAFFIC CONTROL AND PROTECTION STANDARD 701321 (SPECIAL)".

GENERAL NOTES

This Standard is used where, at any time, any vehicle, equipment, workers, or their activities will encroach on one lane of a bridge. Traffic signals and a positive barrier are required.

Traffic signals shall be operational only when all traffic controls are in place. When traffic signals are not in operation, flaggers shall be used and traffic control shall conform to Standard 701201 or 701206.

Temporary concrete barrier shall be according to Standard 704001.

Existing or temporary pavement markings shall be on both sides of open lane from stop bar to stop bar.

STATE OF ILLINOIS
DEPARTMENT OF TRANSPORTATION

TRAFFIC CONTROL & PROTECTION, STANDARD 701321 (SPECIAL)
FOR SN 098-0033

F.A.S. RTE.	SECTION	COUNTY	TOTAL SHEETS	SHEET NO.
1197	(110BR-1)BP	WHITESIDE	7	7
CONTRACT NO. 64T91				
ILLINOIS FED. AID PROJECT				

SCALE: SHEET OF SHEETS STA. TO STA.